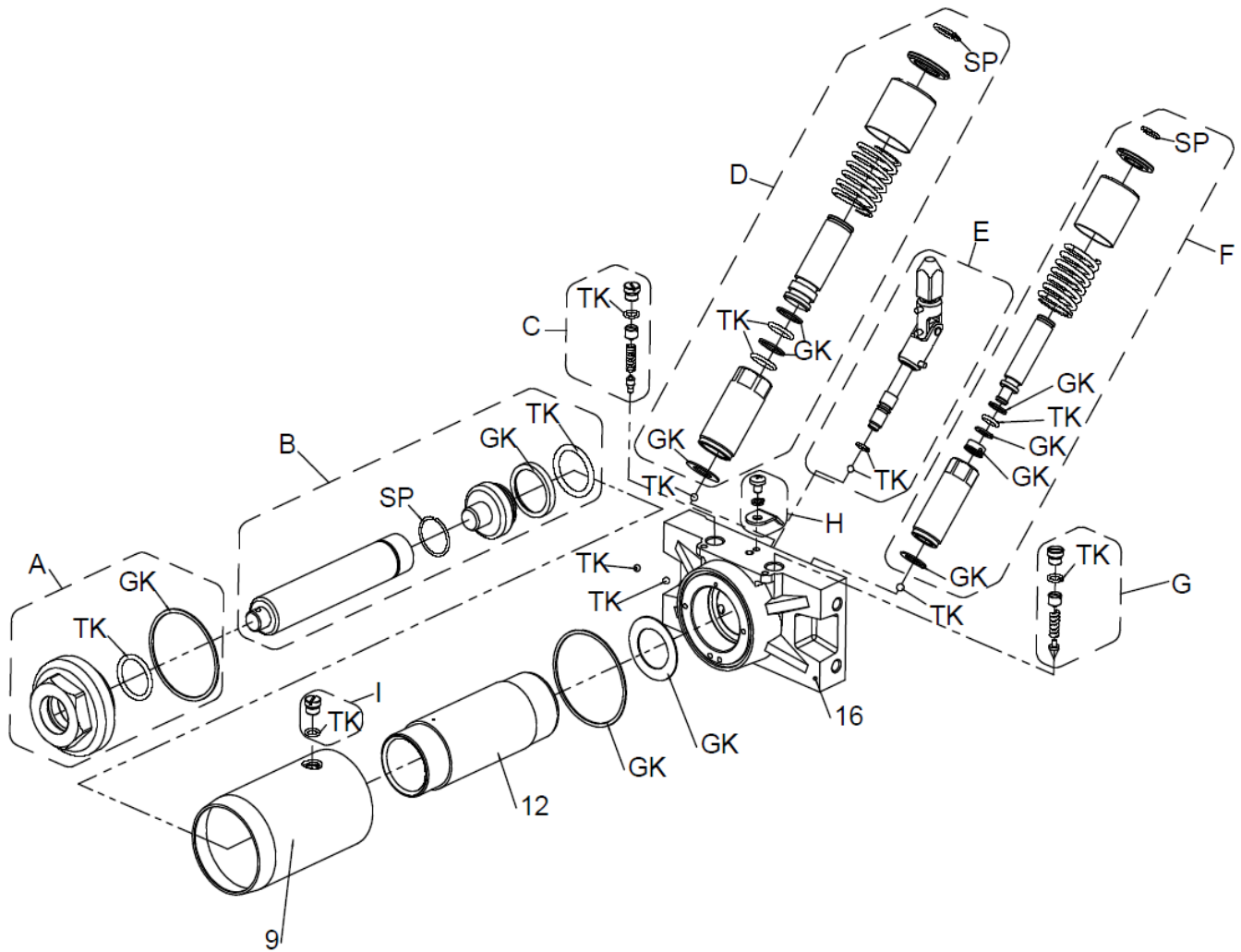


Index No.	Part No.	Description	Qty.	Index No.	Part No.	Description	Qty.
4	8950300379	FRAME	1				
27	8950300380	COVER	1				
28	8950321684	HYDRAULIC COMPLETE	1				
32	8940171583	ARM	1				
33	8950311830	RUBBER PAD	1				
A	8950311845	FRONT WHEEL KIT (2) FOR	1				
B	8950311584	BACK WHEEL KIT (2) FOR CP80030	1				
C	8950010753	SCREW KIT	2				
D	8950311846	E KOMP HANDLE SOCKET KIT	1				
E	8940171579	HANDLE KIT	1				
F	8950311848	AXLE KIT	1				
G	8950311849	LINK KIT	1				
H	8950311850	LINK KIT (2)	1				
I	8950311851	BOLT KIT	1				
J	8950311852	SADDLE KIT	1				
SK	8950380023	SCREW KIT	1				
SP	8950380022	SMALL PARTS KIT	1				
NP	8940173316	NAME PLATE	1				
A1	8940173312	FRONT WHEEL KIT (2) FOR	1				
B1	8940173313	BACK WHEEL KIT (2) FOR CP80031	1				



8940170883	Safety instructions	1
8940170385	Operator's manual	1
8950900083	Warning Label	1



Index No.	Part No.	Description	Qty.	Index No.	Part No.	Description	Qty.
9	8950321689	TANK	1				
12	8950321690	CYLINDER	1				
16	8950321693	VALVE BLOCK	1				
A	8950321704	GUIDE KIT	1				
B	8950321705	PISTON KIT	1				
C	8950321706	VALVE KIT	1				
D	8950321707	PUMP KIT	1				
E	8950321708	VALVE KIT	1				
F	8950321709	PUMP KIT	1				
G	8950321390	VALVE KIT	1				
GK	8950321710	GASKET KIT	1				
H	8950311853	HOLDER KIT	1				
I	8950010754	SCREW KIT	1				
OIL	8950390000	HYDRAULIC OIL 1L	3				
SP	8950380024	SMALL PARTS KIT	1				
TK	8950380025	TUNE UP KIT	1				



8940170883	Safety instructions	1
8940170385	Operator's manual	1
8950900083	Warning Label	1