



## CLEVIS/BALL MOUNT

80410

### RATINGS:

#### WITH BALL

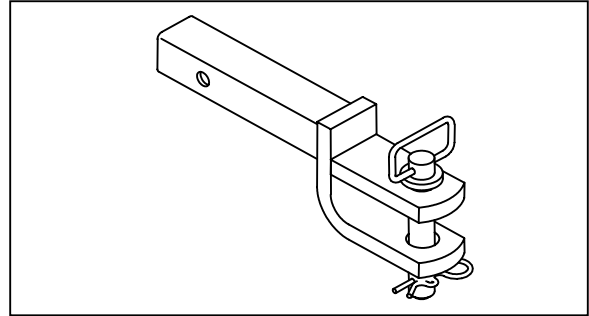
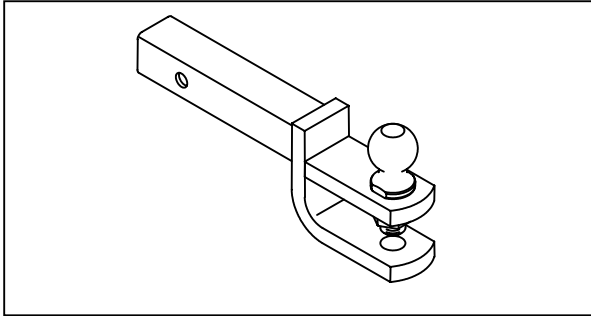
Maximum gross trailer weight 6000 LB

Maximum tongue weight 600 LB

#### WHEN USED AS CLEVIS

Maximum gross trailer weight 6000 LB

Maximum tongue weight 600 LB



### WARNING

**DO NOT EXCEED GROSS TRAILER WEIGHT AND TONGUE WEIGHT RATINGS OF YOUR TOW VEHICLE, RECEIVER AND BALL.**

**SEE WARNINGS**

#### INSTALLATION AND OPERATION:

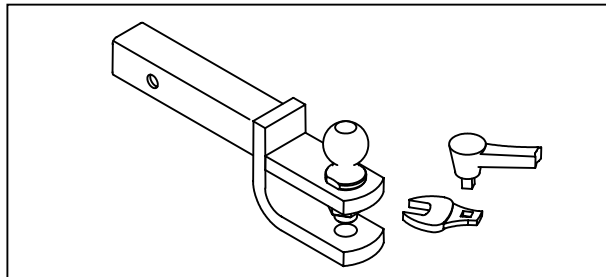
Secure clevis/ball mount to receiver with 5/8-inch diameter pin.

Secure pin with clip or locking device.

#### BALL INSTALLATION:

Use ball with 1-inch diameter threaded shank only. Follow ball manufacturer's instructions and warnings.

Use torque wrench to tighten nut as specified. Use a "crowfoot" to reach nut with torque wrench.



#### CLEVIS OPERATION:

Use only a 1-inch diameter pin with positive retaining device. Pin must extend through both clevis members. Install pin from top. Pin #5764 and clip #55515 are available (purchased separately).

### WARNINGS FOR CLEVIS OPERATION

NEVER TOW WITHOUT POSITIVE RETAINING DEVICE ON CLEVIS PIN.  
LOSS OF PIN AND SEPARATION OF TRAILER COULD RESULT.  
PIN MUST NOT EXTEND EXCESSIVELY BELOW CLEVIS. STRIKING GROUND  
MAY CAUSE PIN DAMAGE OR LOSS AND SEPARATION OF TRAILER.  
CHECK GROUND CLEARANCE WITH LOADED TRAILER AND TOW VEHICLE.  
TRAILER DRAWBAR OR EYE MUST NOT BE ABLE TO CONTACT  
SHANK TUBE OR WELDS WITH PIN INSTALLED. CONTACT  
COULD CAUSE DAMAGE AND LEAD TO SEPARATION OF TRAILER.  
DO NOT USE A LONG SHANK BALL AS A CLEVIS PIN. LOSS OF ATTACHMENT  
OR FAILURE OF BALL AND SEPARATION OF TRAILER COULD RESULT IN SERIOUS  
PERSONAL INJURY OR DEATH, AND/OR PROPERTY DAMAGE.

Learn more about trailer hitches and towing we have.