



Installation Instructions

PART NUMBERS: 76028, 84028

Applications:

| Years | Make | Models |
|---------------|-----------------------------|---------|
| 2005-Current* | Chevrolet | Equinox |
| 2010-Current* | GMC | Terrain |
| 2006-2009 | Pontiac | Torrent |
| 2002-2007 | Saturn, Vue, Except Redline | |

Installation Time: 30 Min.

The time listed above is the average time for professional installers. If you do not feel comfortable performing this installation on your own or are in need of assistance, please contact a professional installer.



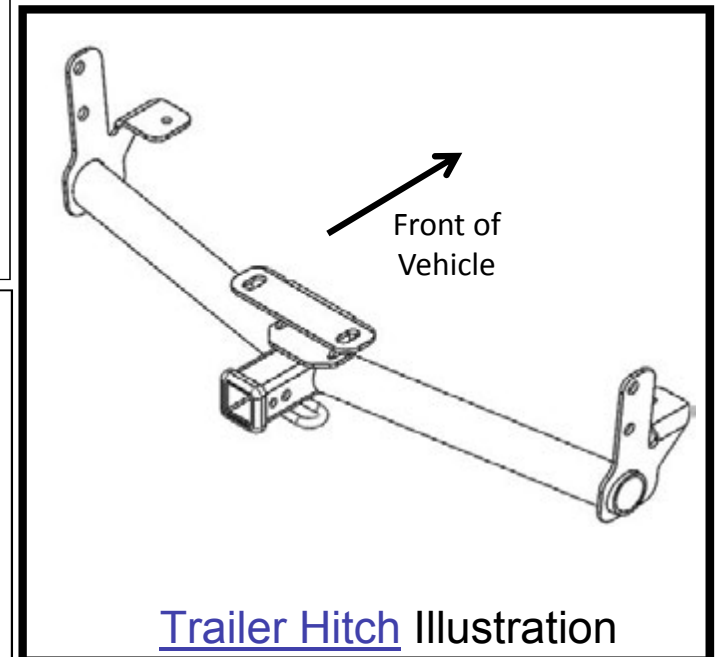
Representative Vehicle Photo

Equipment Required:

| | | | |
|---------------------|--------------------------------|---|---------------|
| Safety Glasses | Ratchet | 18 mm 19 mm 3 / 4 " | Torque Wrench |
| 6" Socket Extension | Saturn Vue only 3/4" Wrench | 2016 Chevrolet Equinox only Tape Measure | Utility Knife |

**DO NOT EXCEED LOWER OF TOWING VEHICLE
MANUFACTURER'S RATING OR:**

| Hitch Type | Max Gross Trailer Weight | Max Tongue Weight |
|---------------------|--------------------------|-------------------|
| Weight Carrying | 4500 lb. (2043 kg) | 675 lb. (306 kg) |
| Weight Distributing | 4500 lb. (2043 kg) | 675 lb. (306 kg) |



Trailer Hitch Illustration

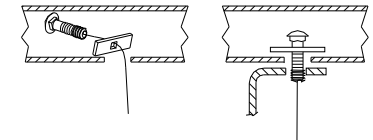
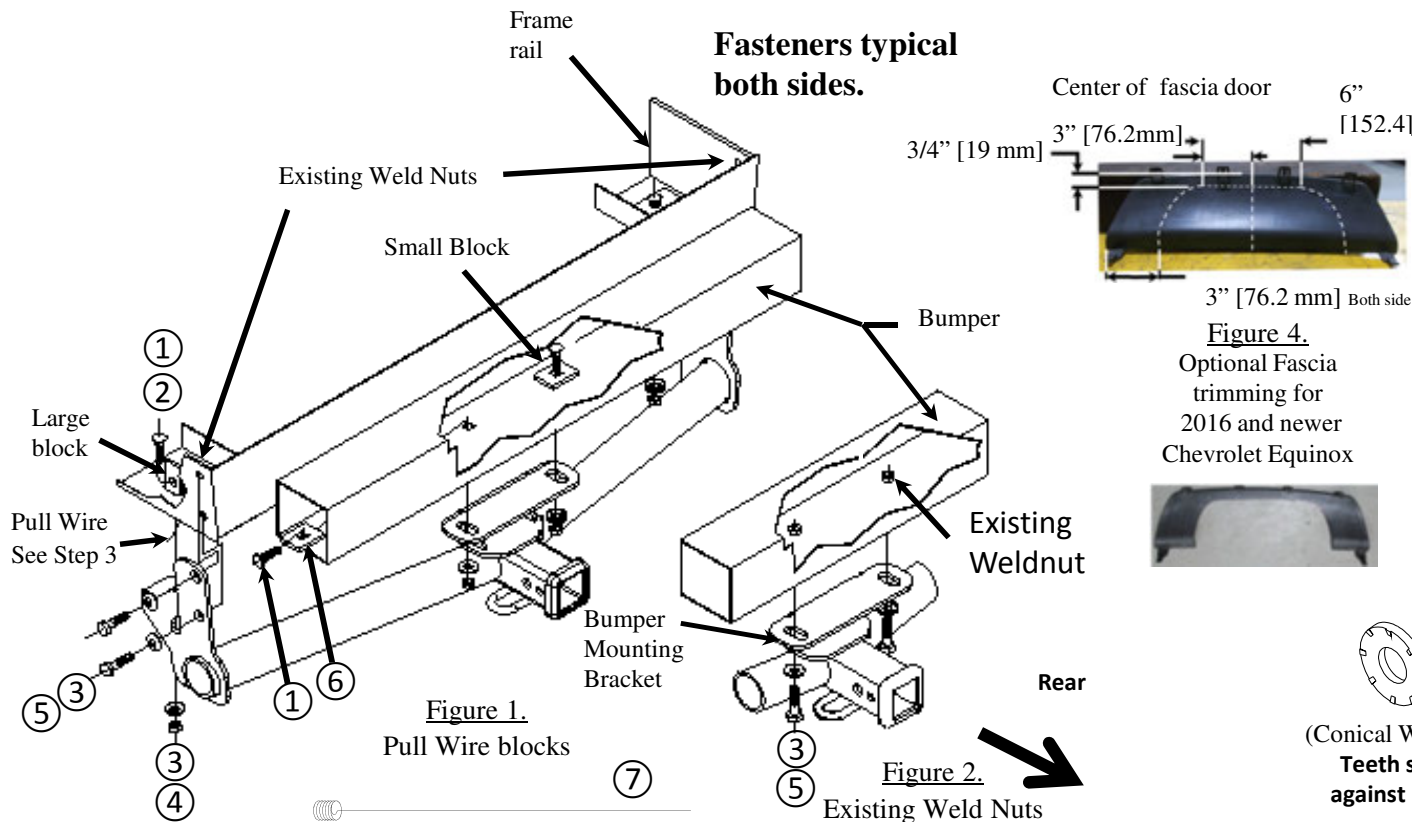
Always wear SAFETY GLASSES when installing hitch

Installation Instructions

PART NUMBERS: 76028, 84028

Fastener Kit : 76028F

| Qty. | Part Name | Image |
|------------|----------------------------------|-------|
| ① Qty. (4) | Carriage bolt ½-13 x 1.50 GR5 | |
| ② Qty. (2) | Spacer .250 x 1.50 x3.00 | |
| ③ Qty. (8) | Conical washer ½" | |
| ④ Qty. (4) | Hex Nut ½ -13 GR2 | |
| ⑤ Qty. (6) | Bolt M12x1.75x45 CL10.9 | |
| ⑥ Qty. (2) | Spacer .250 x 1.50 x 2.0 | |
| ⑦ Qty. (4) | Pull wire ½-13 | |



Example of pull wire procedure

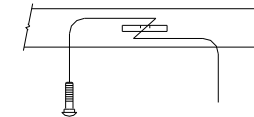


Figure 3

1. Remove the fascia door, if present.
2. Feed the carriage bolt and large block thru slots on bottom of frame rails using the pull wire, as shown [Figure 3](#)
3. Raise the hitch into position; lifting the bumper mounting bracket over the fascia (where needed). Secure with M12 bolts and conical washers into the existing weld nuts, being careful not to push the bolts into the frame, as shown [Figure 1](#).
4. Feed conical washer over pull wire, using the washer to hold the bolt in place remove the pull wires and attach the hex nut. Hand tighten all bolts.
5. **On vehicles without existing weldnuts in the bumper:** Pull carriage bolts and small blocks thru end of the bumper and feed through the bumper mounting bracket using the pull wire. Attach conical washer and nut. As shown [Figure 1](#).
5. **On vehicle with existing weldnuts in bumper:** Install the M12 bolts and conical washer through the bumper mounting bracket into the existing weld nuts in the bumper, as shown [Figure 2](#).
6. Tighten all 1/2-13 GR5 fastener with torque wrench to 75 Lb.-Ft. (102 N*M). Tighten all M12 CL10.9 fasteners with torque wrench to 92 Lb.-Ft. (125 N*M)

⚠ Proper torque is needed to keep the hitch secure to the vehicle when towing.

7. Replace the fascia door on the 2005-2015 Equinox. For 2016 and newer see [Figure 4](#) for optional trimming. (Obtain owners permission prior to trimming). For all other models return fascia door to owner.

Note: Due to different configuration of the vehicle there will be extra hardware left over.

Note: check hitch frequently, making sure all fasteners and ball are properly tightened. If hitch is removed, plug all holes in trunk pan or other body panels to prevent entry of water and exhaust fumes. A hitch or ball which has been damaged should be removed and replaced. Observe safety precautions when working beneath a vehicle and wear eye protection. Do not cut access or attachment holes with a torch.

This product complies with safety specifications and requirements for connecting devices and towing systems of the state of New York, V.E.S.C. Regulation V-5 and SAE J684.

1. Remove the fascia door, if present.



2. Feed the carriage bolt and large block thru slots on bottom of frame rails using the pull wire, as shown [Figure 3](#)



3. Raise the hitch into position; lifting the bumper mounting bracket over the fascia (where needed). Secure with M12 bolts and conical washers into the existing weld nuts, being careful not to push the bolts into the frame, as shown [Figure 1](#).



4. Feed conical washer over pull wire, using the washer to hold the bolt in place remove the pull wires and attach the hex nut. Hand tighten all bolts.



5. **On vehicles without existing weldnuts in the bumper:** Pull carriage bolts and small blocks thru end of the bumper and feed through the bumper mounting bracket using the pull wire.

Attach conical washer and nut. As shown Figure 1.

On vehicle with existing weldnuts in bumper: Install the M12 bolts and conical washer through the bumper mounting bracket into the existing weld nuts in the bumper, as shown Figure 2.



6. Tighten all 1/2-13 GR5 fastener with torque wrench to 75 Lb.-Ft. (102 N*M). Tighten all M12 CL10.9 fasteners with torque wrench to 92 Lb.-Ft. (125 N*M)

⚠ Proper torque is needed to keep the hitch secure to the vehicle when towing.

7. Replace the fascia door on the 2005-2015 Equinox. For 2016 and newer see Figure 4 for optional trimming. (Obtain owners permission prior to trimming). For all other models return fascia door to owner.
Note: Due to different configuration of the vehicle there will be extra hardware left over.

