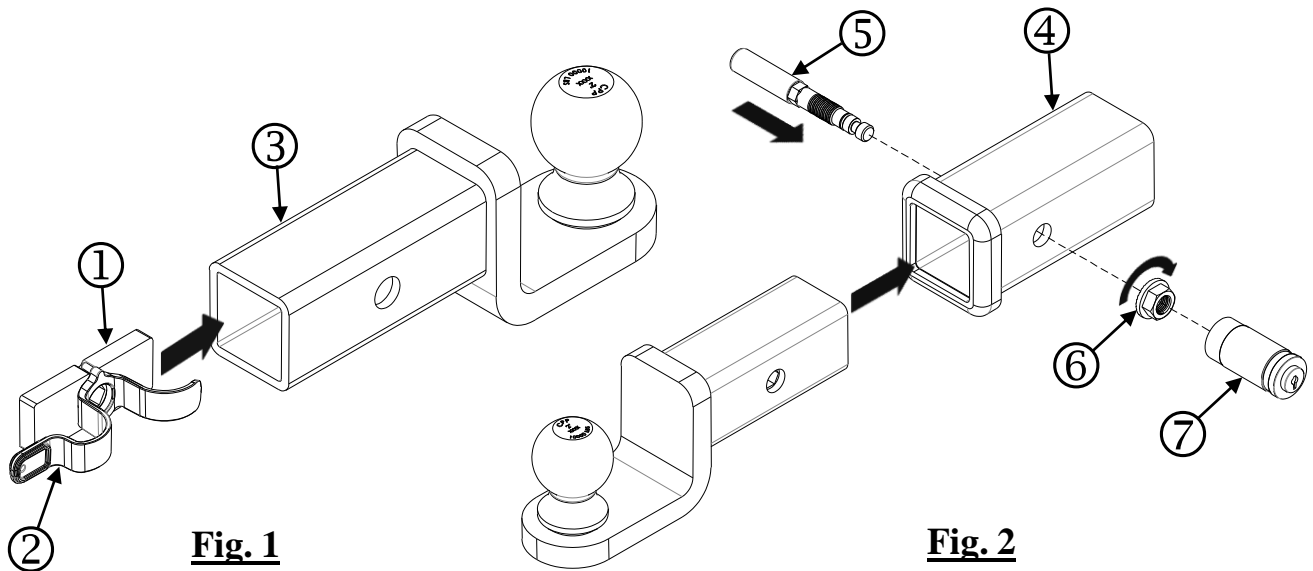


## INSTALLATION INSTRUCTIONS



1. Insert ①block with ②alignment tool (Fig. 1). Make sure block hole is in alignment with the ③shank holes.
2. With the block & tool installed, slide the ball mount into the ④receiver and line up with the receiver holes.
3. Insert the ⑤pin and secure using the ⑥nut and wrench provided (Fig. 2).
4. Place ⑦lock on same end with nut. Always install the lock. Push lock housing firmly onto pin and be certain the lock is completely engaged. You are now ready for safe and silent towing.