



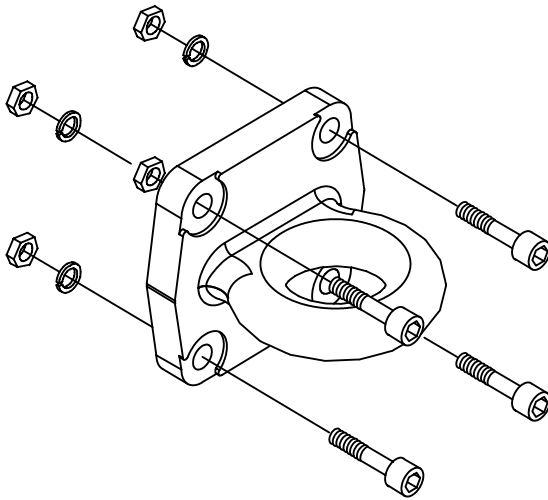
INSTALLATION INSTRUCTIONS LUNETTE RING

IMPORTANT NOTES

USE ONLY TOWING PRODUCTS SUPPLIED BOLTS, HEX NUTS, AND WASHERS TO INSTALL THIS HITCH.

PART NUMBER: 63023

**Do Not Exceed Lower of Towing Vehicle
Manufacturer's Rating or
Gross Trailer Weight of 42,000 LBS.**



WARNING: Do Not Exceed Vehicle, Lunette Ring or Trailer Coupler Rating.

MOUNTING

1. Mounting structure must be capable of supporting the rated capacity of the lunette ring in accordance with SAE J849b.
2. Use the 4 – 5/8" bolts, lock washers, and hex nuts provided, and torque to 212 ft. lbs.

- **WARNING:** Do not lubricate threads, bolt failure may occur due to over-tightening.
- **WARNING:** Do not drill, weld, or modify this hitch.
- Periodically check all mounting bolts for proper torque.

WARNING:

- **Maintain adequate vertical (tongue) load to properly control the trailer (approximately 10%) not to exceed above rated capacities.**
- **For off-road applications, reduce the rated capacities by 25 percent.**
- **When loading/unloading a trailer coupled to the tow vehicle, support the rear of the trailer to avoid load shifting.**
- **Other steps and inspections are required. Consult D.O.T. regulations and American Trucking Association for complete coupling and uncoupling procedures.**