

WARNING!

- Read, understand and follow all warnings and instructions before using this product. Failure to follow these directions may result in property damage, serious bodily injury, and/or death. Cequent Performance Products is not responsible for any property damage, personal injury, or death occurred while using any ROLA products. Retain these instructions for future reference.
- Any modification or unintended use of this product voids any warranty and could create a hazardous condition.
- Loads must be secure according to local height and identification regulations and or laws.
- Secured loads and connections must be re-checked periodically for tightness.

IMPORTANT NOTES:

- This product is designed for use on utility trailers with steel angle construction.
- When used on pick up truck beds, it is designed to be used with Cequent Performance Products Truck Rack #59742 and Top Rail Accessory #59798 and secured to Top Rail using Top Clamps (Item 11). Accessories are sold separately.
- The mounting bracket is designed to sit on a flat surface. Some truck bed rails may permanently distort and conform to the flat surface of mounting bracket.

Required for Assembly: 7/16 & 9/16" Wrench

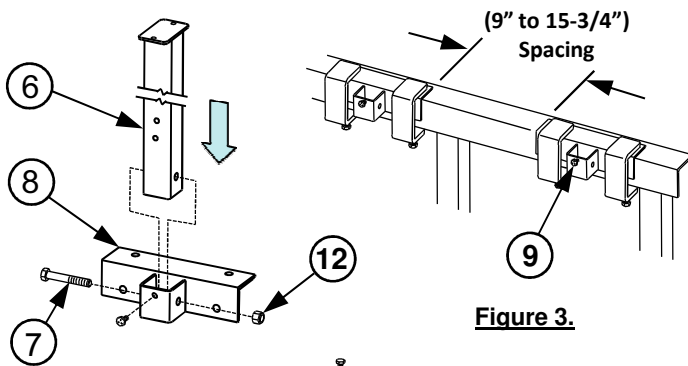


Figure 1.

Figure 3.

Step 1: Attach upright tubes (6) to mounting brackets (8) with the 3/8" hex bolts (7) and 3/8 locknuts (12). Firmly tighten 3/8 hex bolt. See Figure 1.

Step 2: Find a suitable location and install upright tube & mounting bracket assemblies (step 1) to the trailer frame as shown using rail clamps (10). See Figure 2.

Step 3: Set spacing between mounting brackets from 10" to 16" so uprights align with top plate. See Figure 3.

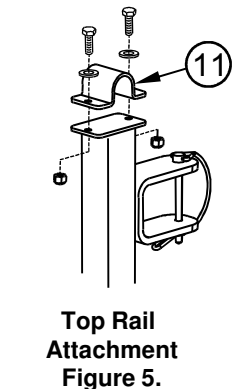
Step 4: Securely tighten clamps and tighten wing nuts against bottom of clamps. See Figure 4.

Step 5: Place the top plate (3) on the 2 uprights and attach with four 1/4" bolts (1), flat washers (2) and lock nuts (4).

Step 6: When used on Pickup trucks, secure upright tube to top rail accessory. See **important notes** and Figure 5.

Step 7: Install and tighten the 1/4-20 x .375 long hex bolts (9) into the mounting brackets to minimize movement.

Optional: For permanent mounting use the pre-drilled holes in the mounting bracket as a template, drill the truck or trailer. Secure with four 3/8" Grade 5 lock washers, hex nuts, and hex bolts (Purchased separately).



**Top Rail Attachment
Figure 5.**

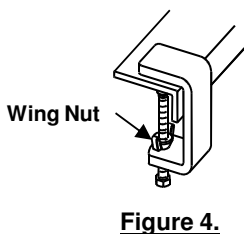


Figure 4.

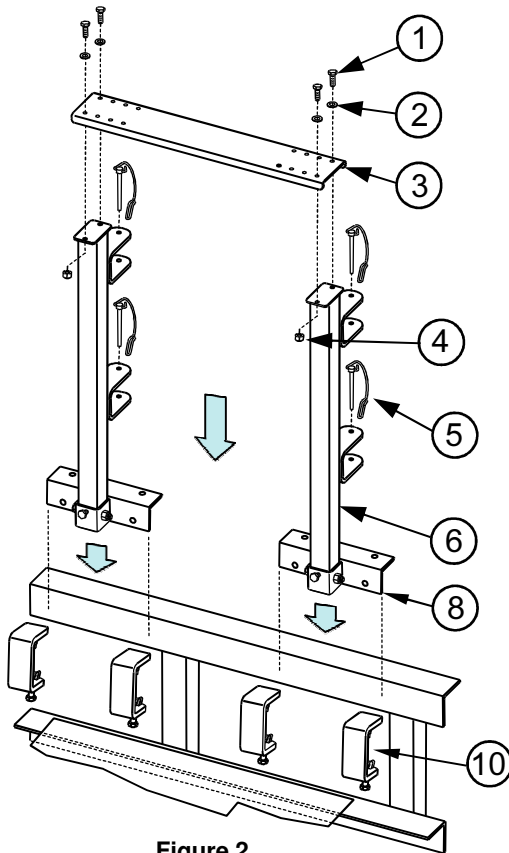


Figure 2.

ITEM NO.	DESCRIPTION	QTY.
1	HEX BOLT 1/4-20 X .750 GR5	4
2	FLAT WASHER 1/4	4
3	TOP PLATE	1
4	LOCKNUT 1/4-20 GR5	4
5	Ø1/4" X 2.75 LONG BAIL PIN	4
6	UPRIGHT TUBE ASSY	2
7	HEX BOLT 3/8-16 X 2.50 GR5	2
8	MOUNTING BRACKET	2
9	HEX BOLT 1/4-20 X .375 GR5	2
10	RAIL CLAMP	4
11	TOP RAIL ACCESSORY CLAMP	2
12	LOCK NUT 3/8-16 GR5	2