



# Installation Instructions

Part Number:

REESE® CUSTOM QUICK INSTALL MOUNTING KIT

56016

FOR 30153 REESE® RAILS ONLY

Ford Super Duty F-250 / F-350 / F-450

**WARNING:** Under no circumstances do we recommend exceeding the towing vehicle manufacturers recommended vehicle towing capacity.

## READ ALL INSTRUCTIONS BEFORE STARTING THE INSTALLATION

REESE® Custom Quick Install mounting brackets only include the hardware to attach the custom brackets to the frame.

### Equipment Required:

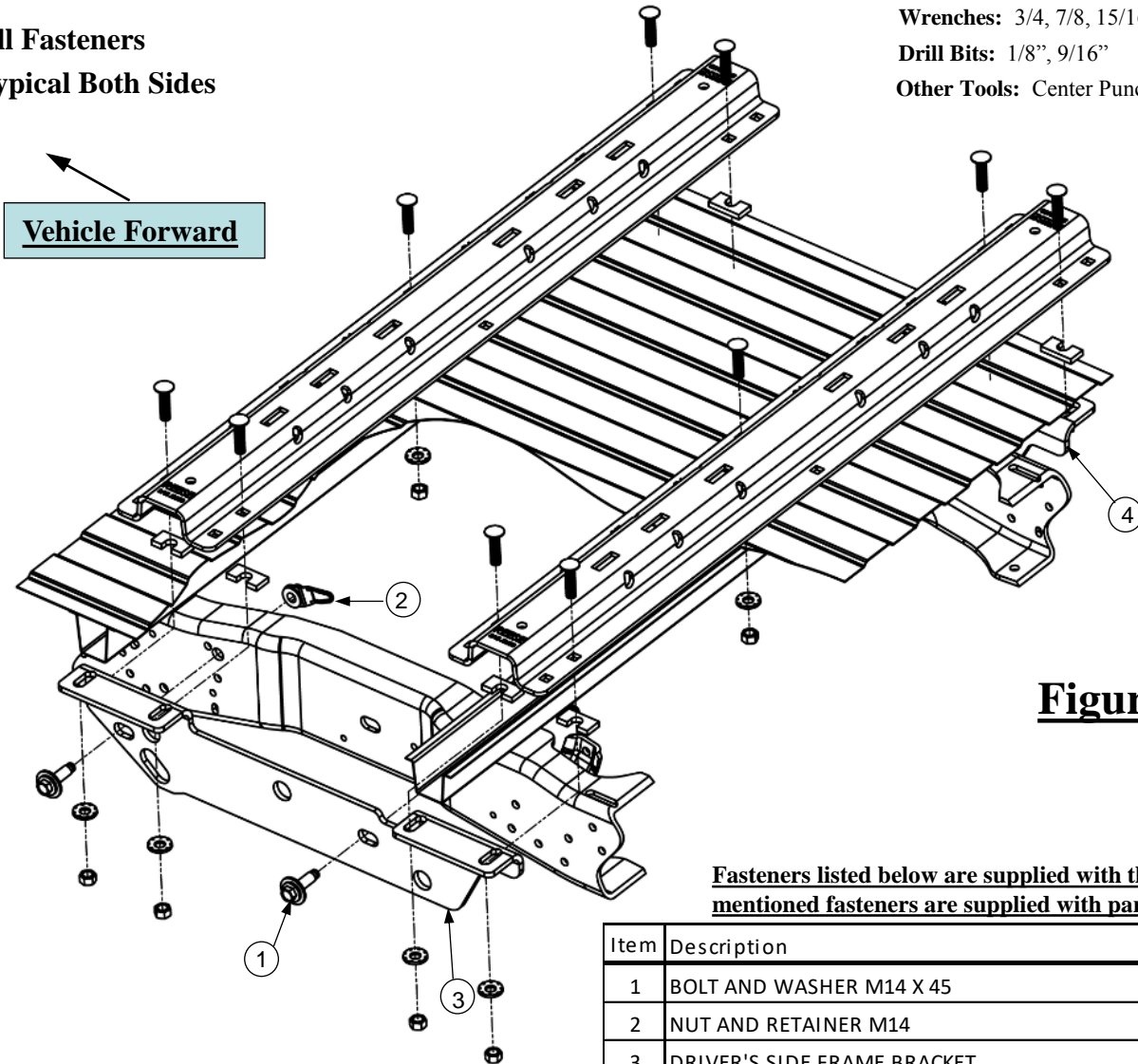
Fastener Kit: 56016F

Wrenches: 3/4, 7/8, 15/16, 15 mm, 18mm

Drill Bits: 1/8", 9/16"

Other Tools: Center Punch, Measuring Tape

All Fasteners  
Typical Both Sides

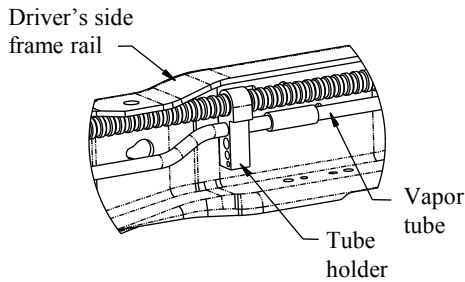


**Figure 1**

Fasteners listed below are supplied with this kit, all other mentioned fasteners are supplied with part number 30153.

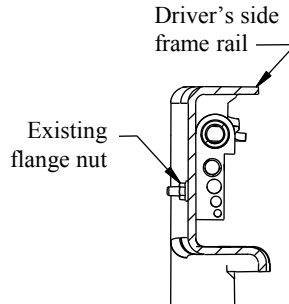
Item	Description	Quantity
1	BOLT AND WASHER M14 X 45	4
2	NUT AND RETAINER M14	4
3	DRIVER'S SIDE FRAME BRACKET	1
4	PASSENGER'S SIDE FRAME BRACKET	1
5	WASHER FLAT 1/4" (See FIG. 1c)	2
6	NUT, NYLOK 1/4"-20 (See FIG. 1c)	1
7	BOLT, HEX HEAD 1/4"-20 x 1 1/4" GRADE 2 (See FIG. 1c)	1
8	L-BRACKET (See FIG. 1c)	1

- **Do not install mounting rails over plastic bed liners. Plastic bed liners must be cut out of the way to provide metal to metal contact. Mounting rails may be installed on spray in liners.**
- **Use only bolts, nuts, and washers supplied to install this kit. All bolts and nuts are Grade 8 unless otherwise specified.**
- **These instructions are guidelines only, actual installation is the responsibility of the installer and the owner. Always measure truck and trailer before installing hitch to be sure that there is clearance at the cab and at the bumper to allow for turns.**

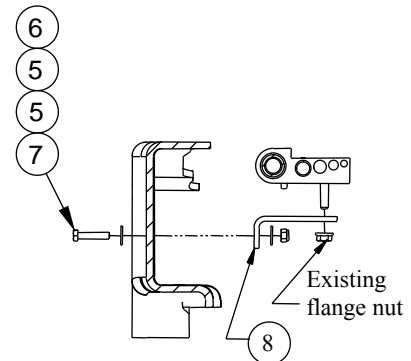


**Figure 1a**

Inside of frame rail



**Figure 1b**

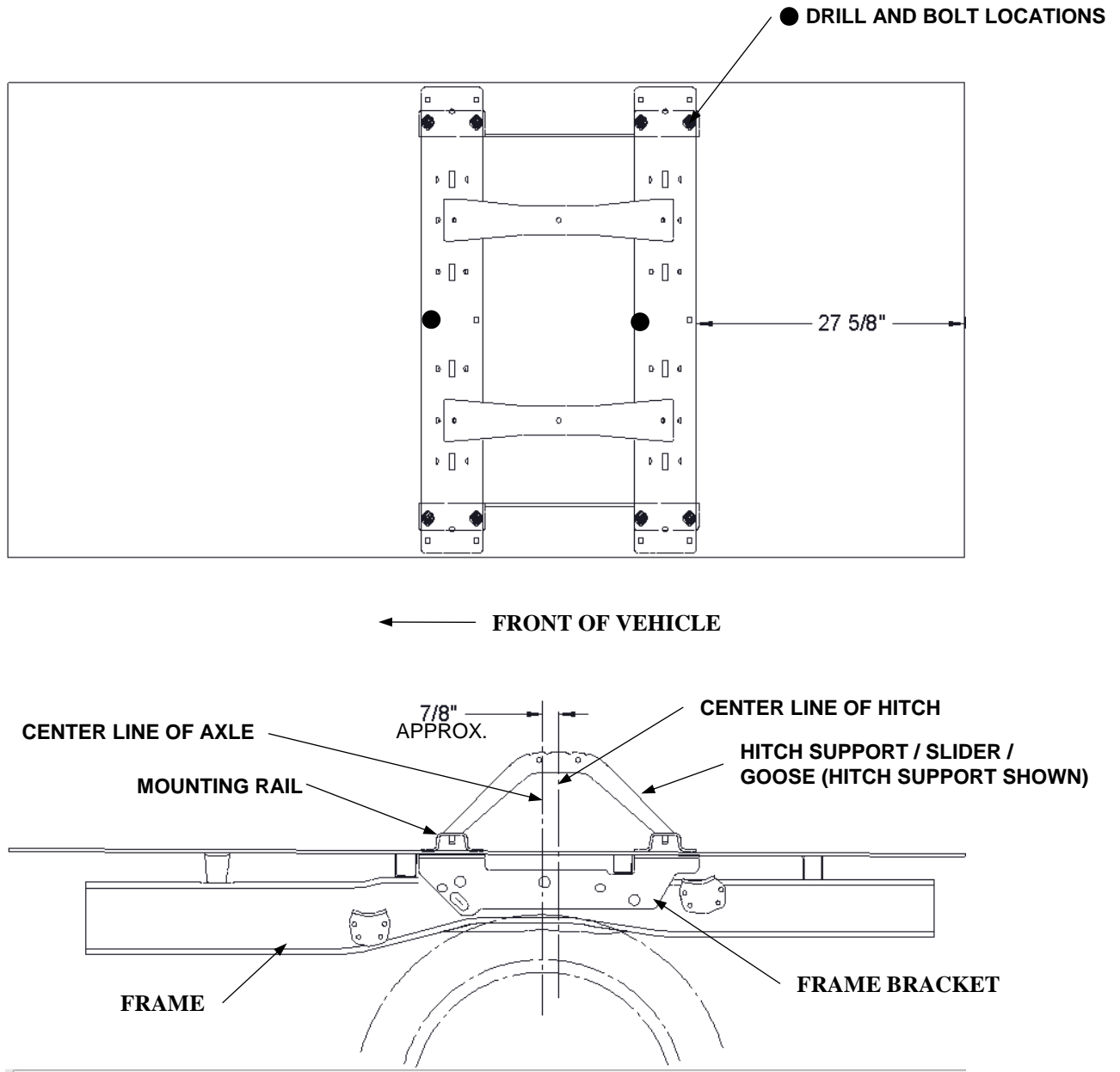


**Figure 1c**

## **Installation Instructions**

1. Lower and remove spare tire if extra room is needed.
2. **On Gas Engine Vehicles Only.** The vapor tube running along the inside of the driver's side frame rail must be relocated prior to installing the driver's side bracket. See Figure 1a. Remove the flange nut from the outside of the frame and keep for later use. See Figure 1b. Rotate the tubes up and out of the way. Install the L-bracket (8) with 1/4" hardware (5)(6)(7), as shown in Figure 1c. Tighten the L-bracket (8) to the frame, but leave the tube holder loose to aid bracket installation.
3. Place the rear mounting rail on the bed of the truck. Using your tape measure, center the rail between the weld seams on the length of the truck bed floor and the proper distance from the rear edge of the truck box as illustrated in Figure 2. See page 1 for mounting the brackets to the rails and brackets to the frame.
4. Mark and center punch the holes as per the illustration in Figure 2. Move the rail out of the way and drill each position with a 1/8" drill bit. **Warning: When drilling holes be aware of potential risks to vehicle components, such as brake lines and fuel tanks, and make appropriate safe guards to protect them from damage.**
5. Temporarily position the frame brackets on the outside of the frame and check that the 1/8" drilled holes align with the slots of the frame bracket. Remove the frame bracket from the vehicle.
6. Enlarge the 1/8" drilled holes to 9/16" with the step drill. **Warning: When drilling holes be aware of potential risks, such as brake lines and fuel tanks, to vehicle components and make appropriate safe guards to protect them from damage.**
7. Loosely install the frame brackets by aligning the brackets with holes in the frame. Insert M14 bolt and washer(1) into slots in the bracket and through the holes in the frame. Install the M14 nut with retainer(2) on the bolt. Snug the bolts. Do not tighten.
8. Reposition the mounting rail over the holes.
9. Install the 1/2" x 2" long carriage bolts with the U-shaped spacer to be located in the corrugation between the box and the rails. **Note:** The U-shaped spacer will have to be installed before inserting the 1/2" carriage bolts through the mounting rail and box floor. This insures a metal to metal contact. Attach the carriage bolts on the ends of the rails with conical washers, and nuts as per the Figure 1 and tighten snug to keep the mounting rail from moving. Attach the carriage bolt in the middle with a conical washer and nut.
10. Place the unassembled fifth wheel saddles/slider/goose into the already installed mounting rail. Position the second mounting rail with the saddles/slider/goose by inserting the tabs into the mounting rail and pushing the mounting rail tight towards the other mounting rail. Ensure that the mounting rail is centered between the weld seams on the length of the truck box floor. This will position the mounting rail in the correct location and ensure that the fifth wheel will have a snug fit to the truck. **NOTE:** If more than one hitch product will be used with the rails then both should be used at the same time to align the second rail. This will ensure that one product does not compromise the fit of the other.
11. Repeat steps 5 thru 9 for the other side of the vehicle. Then proceed to step 12.
12. Tighten the fasteners in the following sequence: 1) torque the mounting rails to the frame brackets, 2) torque the frame brackets to the truck frame. **Torque all 1/2" Grade 8 hardware to 120 ft-lbs (163 N-m), M14 - 10.9 hardware to 148 ft-lbs (201 N-m).**
13. **On Gas Engine Vehicles Only.** Use the factory flange nut that was removed in Step 2 to tighten the tube holder onto the L-bracket as shown in Figure 1c.
14. Reinstall spare tire if it was removed.

# DIMENSIONS SPECIFIC FOR RAIL KIT 30153



**Figure 2**

Learn more about trailer hitches and towing we have.