



Bulldog Powered A-Frame Jack

Read, Understand, Follow and Save These Instructions

Read, understand and follow all of these instructions and warnings (Instructions) before installing and using this product. Install and use this product only as specified in these instructions. Improper installation or use of this product may result in property damage, serious injury, and/or death. Never allow installation or use of this product by anyone without providing them with these instructions. You must read, understand and follow all instructions and warnings for any product(s) to which this product is used in conjunction with or installed. Save these instructions with the product for use as a reference for any future installation and use of the product.

WARNING

Failure to follow all warnings and instructions may result in product failure, property damage, serious bodily injury, and/or death.

- This product must be installed and used in strict accordance with these instructions. Purchaser/owner must not alter or modify the product.
- Operator and bystanders should never position any part of body under or on the path of any portion of this product or the load being supported, or moved.
- Do not allow children to play on or around this product or the load being supported, or moved.
- Never exceed the maximum rated capacity. Refer to stamped markings or decals to obtain rated capacity. If uncertain, contact Cequent Trailer
- Periodically check mounting hardware for proper torque and tighten if necessary.
- Always replace bent, broken, or worn parts before using this product.
- To avoid accidental shock and/or damage to the electrical system, disconnect the battery ground cable before installation.
- If this product has a drop foot or drop leg, never attempt to adjust the drop foot or drop leg when there is any load on the jack.
- When using the drop foot or drop leg, make certain the supplied pin is fully inserted through both sides of the inner tube and the drop tube before using the jack.
- Secure the load, vehicle and trailer from rolling (by blocking wheels) when operating jack or coupling trailer.
- These jacks are designed for vertical loading. Excessive side forces may cause jack failure and must be avoided.

Installation Instructions

1. Attach trailer to tow vehicle. Use vehicle's parking brake and chock wheels of trailer.
2. The Powered A-Frame Jack has been designed to attach to the top surface of the A-frame coupler.
3. Disconnect the trailer battery ground cable.
4. Detach the drop leg of the jack by removing the lynch pin.
5. Position the drop leg beneath the coupler mounting hole with the foot of the drop leg on the ground.
6. Place the jack outer tube through the A-frame coupler hole and over the drop leg. The dual mounting pattern allows positioning of the jack either facing the tow vehicle or for side operation.
7. If the Plunger Pin kit is included with this jack, install per instructions below, then continue on to #8.
8. Attach the jack using the three (3) 3/8" diameter, 1" long, grade 5 bolts and nuts (provided). Use the provided lock washers, placing them between the bolt head and the top of the jack mounting bracket. Star washers are used to insure a metal-to-metal contact between jack and coupler for proper grounding (Figure 1). Torque bolts to 15-20 ft-lbs.
9. Route the black wire lead from the plastic cover along the trailer to the battery. Attach the wire lead to the trailer using cable ties or equivalent.
10. Connect the wire lead from the jack directly to the positive (+) terminal of the battery. This unit has a built-in circuit breaker which automatically trips and resets. Reconnect the battery ground cable.
11. Check for proper installation by pressing the motor switch that is marked "EXT" for extending the jack and "RET" for retracting the jack. Also check that the light switch turns on the LED light located under the top cover of the jack.
12. After checking for proper operation, be sure to reattach the drop leg to the inner tube of the jack using the lynch pin or plunger pin assembly.
13. Retract the jack completely.

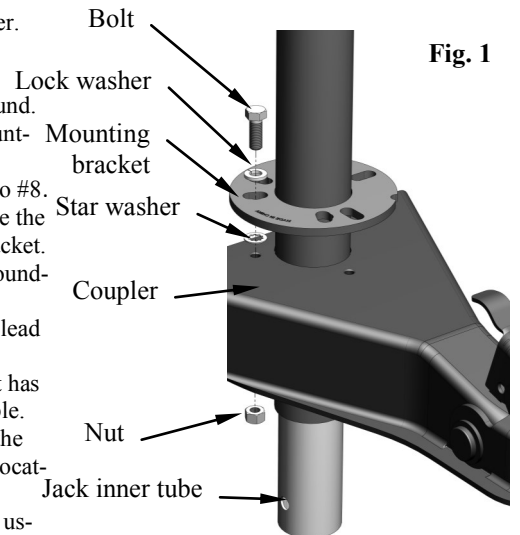


Fig. 1

Plunger Pin Kit Assembly

To install:

1. Attach trailer to tow vehicle. Use vehicle's parking brake and chock wheels of trailer.
2. Remove lynch pin and drop leg from jack assembly. If your jack is already installed, you may need to remove the jack mounting hardware (Fig. 1) in order to do this.
3. Align grooves of jack tube and plunger pin assembly together and slide over bottom of jack tube (Fig. 2).
4. Retract plunger pin, slide plunger pin assembly onto jack. Check to see that pin passes through both sides of tube.
5. Install drop leg (Fig. 3).
6. With plunger pin through both holes of jack tube, tighten clamp to jack and torque to 15-20 ft-lbs. After tightening, make sure plunger pin and drop leg operate freely.
7. Reattach jack to trailer according to the installation instructions above.

Fig. 2

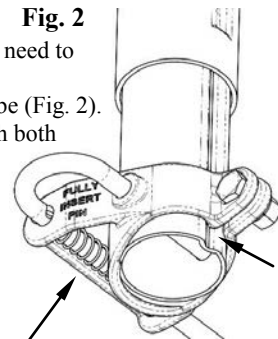
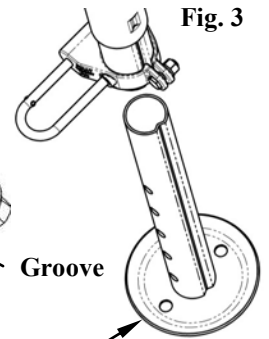


Fig. 3

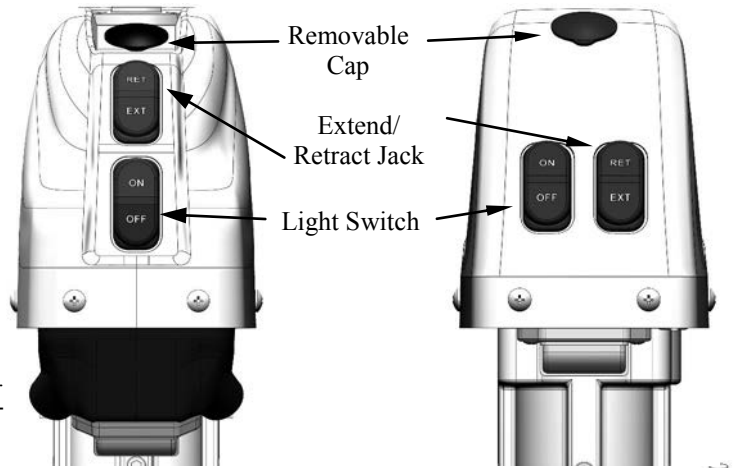


Plunger pin assembly

Drop leg

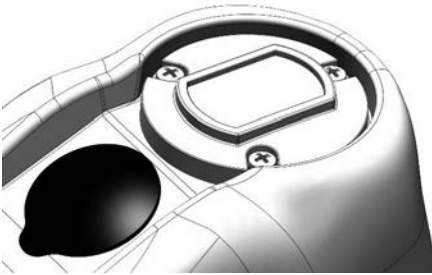
Operation

1. Make sure the battery is fully charged prior to use.
2. Chock wheels of trailer.
3. To raise the trailer off the ball, open the coupler and push "EXT" on switch. This will extend the jack. The drop leg may also be used to quickly extend the jack. Make sure to reattach the lynch pin or plunger pin assembly through both sides of the jack tube after adjusting the drop leg to the desired level.
4. To lower the trailer on to the ball, push "RET" on switch. This will retract the jack. After the coupler has fully engaged the ball, continue retracting the jack fully. Be sure to close the coupler. After full retract, you may need to raise the drop leg also. Make sure to reattach the lynch pin or plunger pin assembly through both sides of the jack tube after adjusting the drop leg to the desired level.
5. To function the LED light, use the light switch labeled "ON" and "OFF".
6. If for any reason electric power is lost, remove the cap on top of the plastic cover. Insert the manual override crank to raise or lower the jack.



Manual Override Crank

Bubble Level Set-Up (if equipped): NOTE: The bubble level only needs to be adjusted on the initial set-up!



1. Chock the wheels of the trailer and ensure it will not roll.
2. Remove the three (3) bubble level retaining ring screws.
3. Place the bubble level on a known flat surface.
4. Lower the trailer's leveling jacks (if equipped) and the Powered A-Frame jack to properly support and level the trailer using the bubble level as a guide.
5. Once level, return the bubble level to the Powered A-Frame Jack and adjust the three retaining screws so that the bubble is centered.
6. From now on, you can level your trailer in minutes by watching the bubble mounted on your Powered A-Frame Jack. No further adjustments are necessary.



Maintenance

The Powered A-frame jack motor is sealed and maintenance-free. It is important to maintain the electrical system including the battery and charger (not included). Ensure all connections are tight and free of corrosion and that the jack is properly grounded with the coupler (metal-to-metal contact). Make sure the battery is fully charged prior to use. If necessary, wash with mild soap and water and rinse thoroughly. Do not direct a high pressure spray at the Powered A-Frame Jack. Periodically oil pins of the plunger pin assembly.