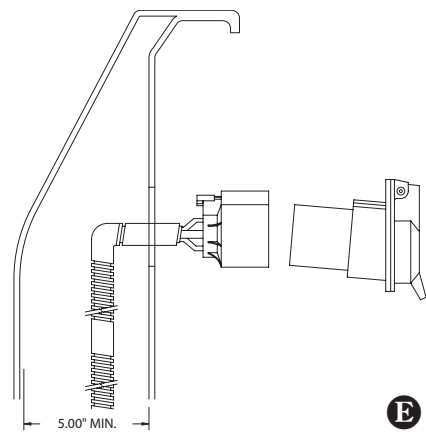
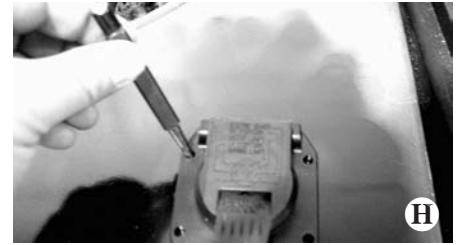




## Installation Instructions



### TOOLS REQUIRED

Drill (3/32" & 1/4" Drill Bits), 2" Hole Saw, Philips Head Screwdriver, Center Punch

1. Locate the vehicle's 7-way factory harness on or near the rear bumper **A**. Separate this connector, being careful not to break the locking tabs **B**. Ensure that the mating surfaces are free of dirt. Clean if necessary. Install the Trailer Tow Harness between the mating plugs.

#### NOTE

Dodge version is rectangular.

2. Determine a suitable mounting point (usually on the Driver's side between the rear post and the wheel well area) and route the harness to this location **C** **D**. When routing make sure you have some extra length (approximately 4" or more) that will be needed in step 5. In addition, make sure that the trailer's wire harness has adequate length to reach this point and that you have at least 5" of clearance behind the mounting surface for installation **E**.

#### ⚠ WARNING

Route the wire being careful to avoid any hot pipes, heat shields, the fuel tank or any other points that may pinch or break the wire.

#### NOTE

Cut away view of truck rail. Make sure there is at least 5" of clearance for mounting **E**.

3. Once a suitable mounting location is found, drill a pilot hole using a drill and 1/4" bit **F**. Re-check your mounting location and wire lengths and then use your 2" hole saw to finish cutting the mounting hole **G**.

#### NOTE

If the vehicle has a bedliner it will need to be notched or use a longer set of screws (not provided) and mount directly into the bedliner and body panel.

#### NOTE

Use rust-proof coating in drilled areas to prevent future rusting (not provided).

#### ⚠ CAUTION

Verify what is behind any surface prior to drilling to avoid damage to the vehicle and/or personal injury. Do not drill into any exposed surfaces.

4. Using the 7-way end as a guide, mark the mounting hole locations with a center punch **H** and then drill four 3/32" holes as marked.

#### NOTE

Use rust-proof coating in drilled areas to prevent future rusting (not provided).

#### ⚠ CAUTION

Verify what is behind any surface prior to drilling to avoid damage to the vehicle and/or personal injury. Do not drill into any exposed surfaces.

5. Route harness thru mounting hole and connect the 7-way end to the harness **I** **J**. Using the 4 self-tapping screws, mount the 7-way harness to the vehicle surface.

#### ⚠ WARNING

All connections must be complete for the Trailer Tow Harness to function properly. Test and verify installation with a test light or trailer once installed.

#### NOTE

On some vehicles you may need to add a fuse or relay (not provided) to complete all of the functions going to the 7-way. Consult your owner's manual for locations.

6. Secure the harness to the vehicle, using the cable ties provided.

#### ⚠ WARNING

Route the wire being careful to avoid any hot pipes, heat shields, the fuel tank or any other points that may pinch or break the wire.

#### ⚠ WARNING

When plugging in the wiring harnesses and other connectors into 7 way connectors at the rear of the vehicle use dielectric grease to seal the connection. This will keep moisture from compromising the connection and potentially setting off an error code on brake controls and preventing plug corrosion. If an error code is found, the error codes on the brake controls will reset to normal after the connectors are disassembled and dried out.