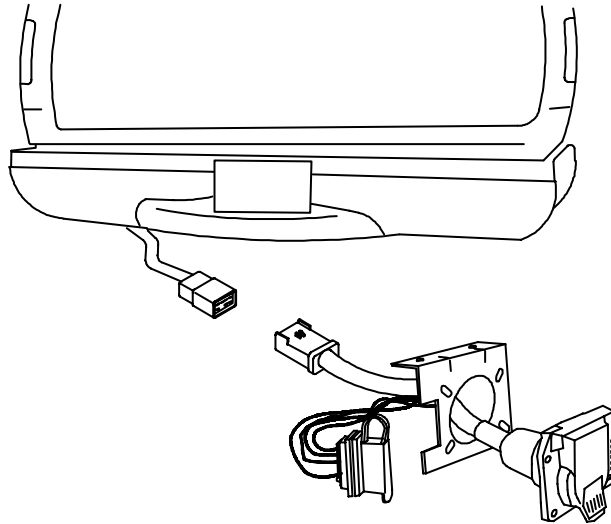


**7-WAY FLAT PIN CONNECTOR / 4-FLAT DESCRIPTION:
COMBO ADAPTER HARNESS*****INSTALLATION INSTRUCTIONS***

- Determine a suitable mounting location on the tow vehicle and attach mounting bracket.
- Install 7/4 way socket into bracket and attach using the screws, flat washers and hex nuts provided.
- Plug 7/4-way connector into factory equipped car end socket harness on vehicle.
- Install 4 flat connector into slot in bracket.
- Tighten screws.