

INSTALLATION INSTRUCTIONS

1. Locate the towed vehicle left and right STOP/TURN and TAIL signal wires. Cut each wire as indicated in FIG. 1 and attach mating quick-disconnect terminals.
2. Attach the adapter unit to a convenient location in the rear of the towed vehicle using adhesive tape on bottom of each unit.

3. Connect the towed vehicle input wires as follows:

DRIVER SIDE

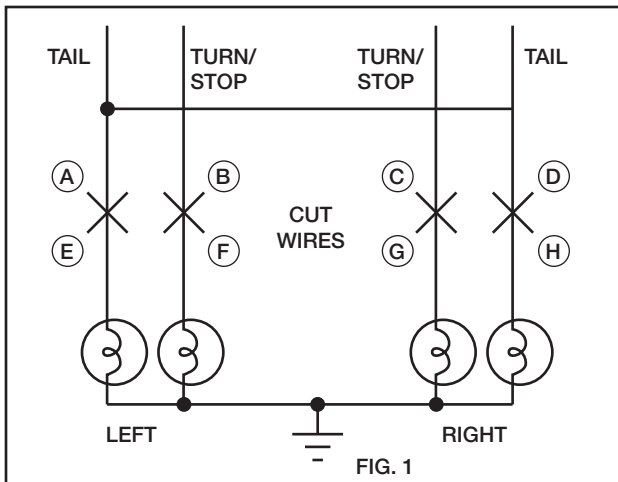
Left STOP/TURN (yellow) at B.

Left TAIL (brown) at A.

PASSENGER SIDE

Right STOP/TURN (green) at D.

Right TAIL (brown) at C.



4. Connect the output wires from the adapter to the towed vehicle lamp wiring as follows:

DRIVER SIDE

Left STOP/TURN (yellow) at F.

Left TAIL (brown) at E.

PASSENGER SIDE

Right STOP/TURN (green) at G.

Right TAIL (brown) at H.

5. Attach ring terminal (supplied) to white ground wire of 4-way flat input connector (adjust length of wire to nearest screw on chassis). Use existing screw (if possible) to ground white wire.
6. Connect 4-way flat input connector to 4-way flat cable (supplied) and route to towing vehicle mating 4-way flat connector.
7. Test for proper operation of the towed vehicle not connected to towing vehicle. Test for proper operation of the towed vehicle when connected to towing vehicle.

118821

