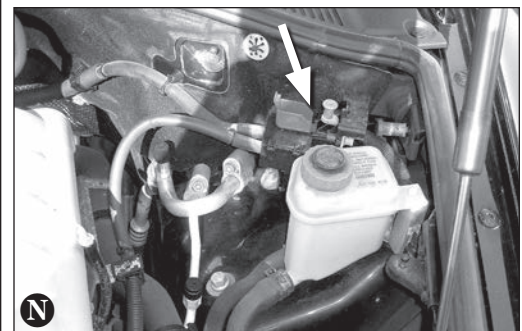
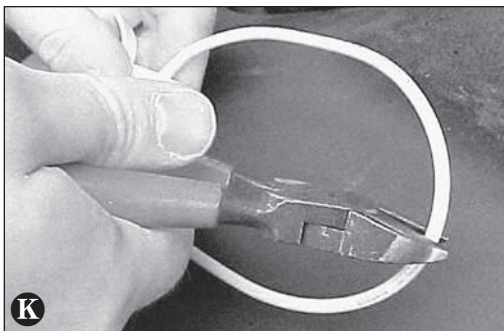
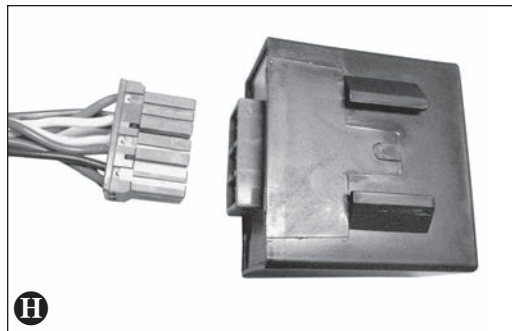
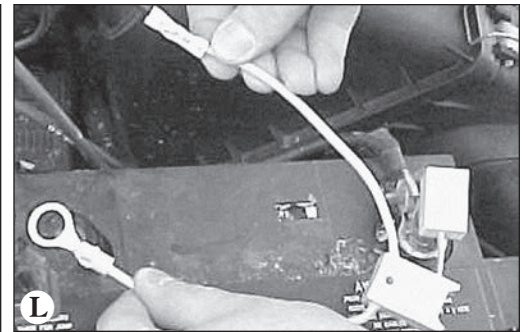
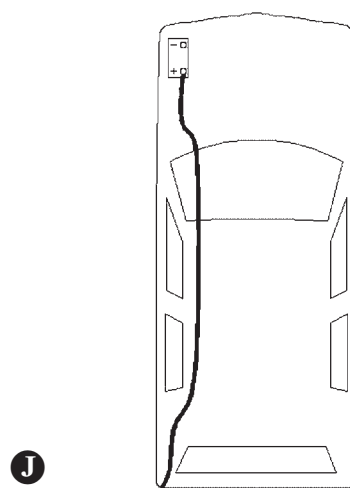
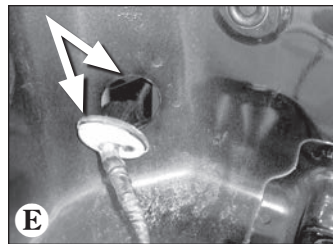
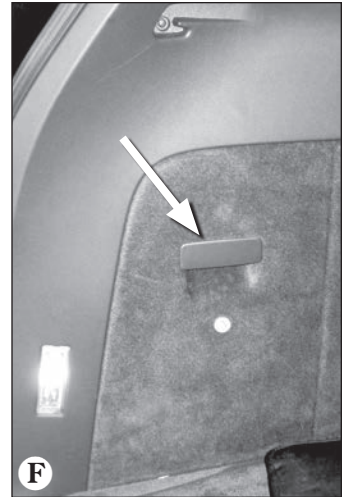
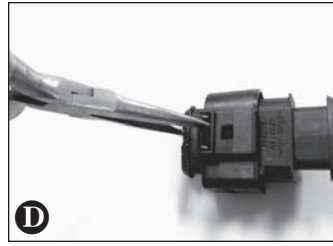
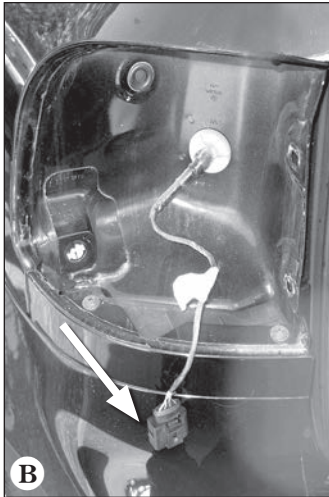
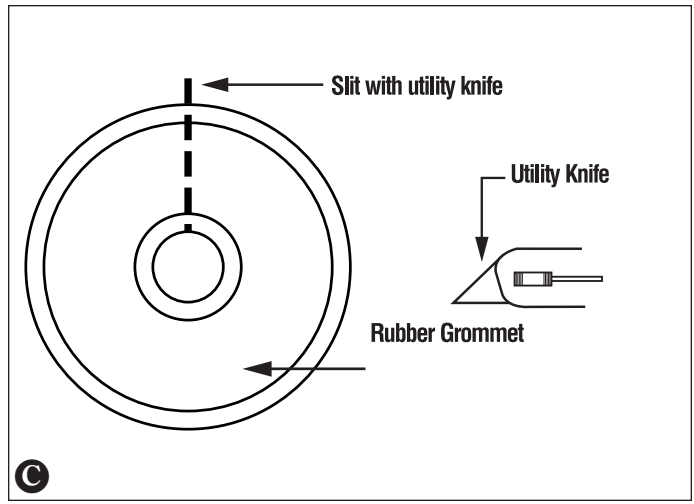


Installation Instructions

T-Connector



Volkswagen Touareg



TOOLS REQUIRED:

Trim Panel Remover, Torx 25 driver, 10mm Socket & Ratchet or 10mm Wrench, Drill (3/32" Drill Bit), 1/4" socket, Wire Crimpers, Wire Cutters, Philips Head Screwdriver, Test-probe, Needlenose Pliers

1. Open the rear lift gate. Using a small flat blade screwdriver, carefully pry the two plastic screw caps from each side to expose the T-25 Torx Screws that hold the taillights in place. On the driver and passenger sides of the vehicle, remove two Torx-25 screws. Carefully pry the taillight housings rearward away from the vehicle, being careful not to break the alignment tabs **A**.
2. On the Driver's side, disconnect the vehicle wiring harness from the taillight socket. Separate this connector, being careful not to break the locking tabs. All connector surfaces should be clean and free of dirt **B**.
NOTE
Using needlenose pliers, carefully squeeze the locking tab using the back of the female housing for leverage to separate the connectors **D**.
3. On the driver's side, pull the vehicle taillight wire harness and unseat the grommet **E**.
4. Locate the vehicle wiring inside the vehicle's rear cargo area by partially removing the plastic threshold cover, side panels, and cargo trays **F G**.
5. Behind the access panel on the driver's side, route the T-Connector end with the **yellow** wire out of the opening exposed in step 3. Finish pulling the harness through the hole up to the grommet **G**.
6. On the driver's side, insert the T-Connector end, with the **yellow** wire, between the vehicle wiring connectors and lock into place. Be careful not to damage the locking tabs and be sure that connectors are fully inserted with locking tabs in place.
NOTE
Connectors may require extra pressure to insert together.
7. Remove the grommet from the vehicle harness by untaping the tabs and slitting the grommet as shown. Place the grommet on to the T-Connector wiring, between the T-Connector and the mating vehicle end, retape the tabs to secure the grommet, and then reseat the grommet into the hole on the vehicle **H**.
8. Route the connectors left behind the grommet through the hole and into the cargo area and reseat the grommet around the wires. Leaving the 4-Flat and black convertor box in the cargo area.
9. On the Driver's side route the T-Connector end with the **green** wire through the trim panel access hole, across the threshold, & through the passenger trim panel access hole **I**.
10. Repeat Steps 2 thru 7 using T-Connector containing the **green** wire.

11. Locate a suitable grounding point on the driver's side near the connectors. Drill a 3/32" hole and secure **white** wire with eyelet using screw provided. Do not drill into any exposed surfaces.

⚠ CAUTION

Verify what is behind any surface prior to drilling to avoid damage to the vehicle and/or personal injury. Do not drill into any exposed surfaces.

12. Locate the T-Connector's Grey 12-Pin connector and insert it into the mating connector located on the black box-module. Check to see that the mating surfaces of the wiring connectors match. All connector surfaces should be clean and free of dirt. Be careful not to damage the locking tabs and be sure that connectors are fully inserted with locking tabs in place **J**.
13. Locate a flat surface in an out of the way place and mount the T-Connector's black box-module, to prevent damage or rattling.

NOTE

This surface should be in an area that is free of any moisture and mounted in an area that it is high enough where it could not be exposed to direct contact with any water or liquid substance.

⚠ WARNING

The black box-module is intended to be mounted **ONLY** in the **INTERIOR** of the vehicle. Mounting on the exterior or areas exposed to the elements or moisture could cause serious damage to the vehicle and module. Secure the remainder of the T-Connector harness with the cable ties provided, to prevent damage or rattling and being careful to avoid any areas that would pinch, cut or melt the wire.

14. Route 4-Flat over to jack storage area.

NOTE

Store 4-Flat in jack storage compartment when not in use.

15. On the driver's side, locate the red 12 ga. Power wire from the T-Connector box. Attach the black 12 ga. wire provided. Route the **black** wire along the exterior frame or follow the existing wiring along the thresholds into the engine compartment up to the battery avoiding areas that may pinch or break the wire **K**.
16. Disconnect the vehicle's Negative (-) battery cable. If not removed, remove the fuse from the yellow fuse holder (provided). After cutting the fuse holder wire, attach the ring terminal and secure to the vehicle's Positive (+) battery cable **L M**. Connect the other end of the fuse holder to the **black** 12 ga. wire, using the yellow butt connector (provided).

⚠ WARNING

Read and follow all warnings and cautions printed on the tow vehicle's battery.

NOTE

Alternate Power Attachment - Using a trim panel puller, temporarily remove the driver's side plastic engine cover to expose the auxillary power stud near the fire wall. Remove red cover to expose stud. Remove nut and place the ring terminal on stud and replace nut **N O**.

17. Reconnect the vehicle's Negative (-) battery cable and install the 10 amp fuse into the fuse holder from step 16.

⚠ CAUTION

All connections must be complete for the T-Connector to function properly. Test and verify installation with a test light or trailer once installed. For initial test, reset vehicle electrical system by temporarily removing the key from the ignition.

18. Secure the remainder of the T-Connector harness with the cable ties provided, to prevent damage or rattling and being careful to avoid any areas that would pinch, cut or melt the wire.
19. Reinstall taillight assemblies and other items removed during installation, being careful not to pinch or cut the wires.

⚠ WARNING

Overloading circuit can cause fires. DO NOT exceed lower of vehicle manufacturer rating or:

- Max. stop/turn light: 2 per side (4.2 amps)
- Max. tail lights: (7.5 amps)

Read vehicle's owners manual & instruction sheet for additional information.