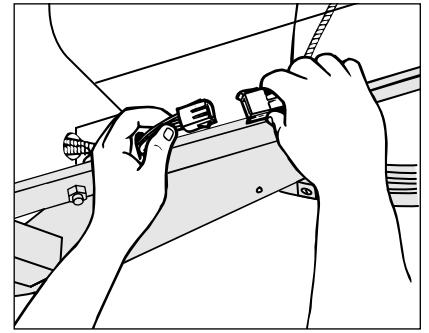
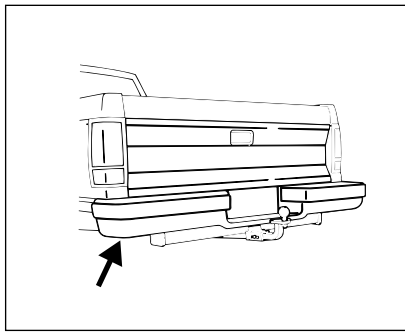


## Installation instructions



1. Locate the vehicle's taillight wiring harness along the inside of the left rear frame rail. This harness will have a connection point with connectors matching the ends of the T-connector adapter.

2. Separate the harness connectors, being careful not to break the locking tabs. Check to see that the mating surfaces of the connectors are free of dirt and clean if necessary.

3. Insert the T-connector adapter between the harness connectors and lock into place. Be sure that connectors are fully inserted with locking tabs in place.

4. Route the T-connector harness to the center of the vehicle and secure wire to vehicle crossmember or other mounting point using electrical tape or tie straps (not supplied).

5. Test the installation with a test light or trailer.

This unit is rated for **7.5** amps per circuit.

