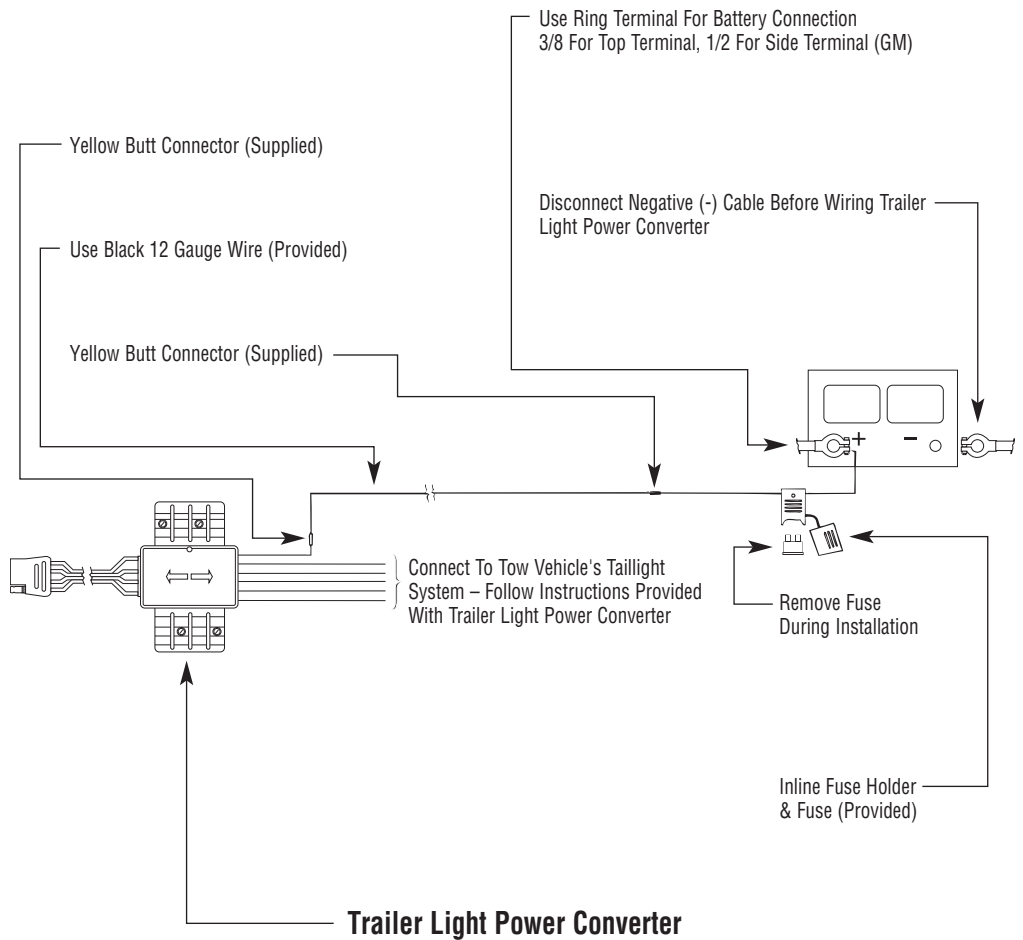


Installation Instructions

Wiring Kit: Trailer Light Power Converter



TOOLS REQUIRED:

Wire Crimpers, Wire Cutters

⚠ WARNING

Do not connect the **black** "Battery" wire to the fuse panel or tap into accessory wiring. Connecting to existing wiring may damage vehicle and cause trailer light failure.

1. Mount the trailer light power converter and make the taillight connections per the instructions provided with the unit.
2. Disconnect the vehicle's Negative (-) battery cable.

⚠ CAUTION

Read and follow all warnings and cautions printed on the tow vehicle's battery.

3. If not removed, remove the fuse from the yellow fuse holder (provided). After cutting the **yellow** fuse holder wire, attach the ring terminal (3/8" for top terminal or 1/2" for side terminal) and secure to the vehicle's Positive (+) battery cable.

4. Run the **black** 12 ga. wire from the fuse holder to the trailer light power converter passing either under or through the vehicle.

NOTE

When passing wire through sheet metal always go through an existing grommet, add a grommet or use silicone rubber to insulate the wire from the hole.

5. Connect the other end of the fuse holder to the black 12 ga. wire, using the yellow butt connector (provided).
6. Reconnect the vehicle's Negative (-) battery cable and install the 10 amp fuse into the fuse holder from step 3.

NOTE

See the vehicle's owners manual for special battery reconnection instructions.

7. Secure all loose wires with cable ties.

⚠ WARNING

All connections must be complete to function properly. Test and verify installation with a test light or trailer once installed.