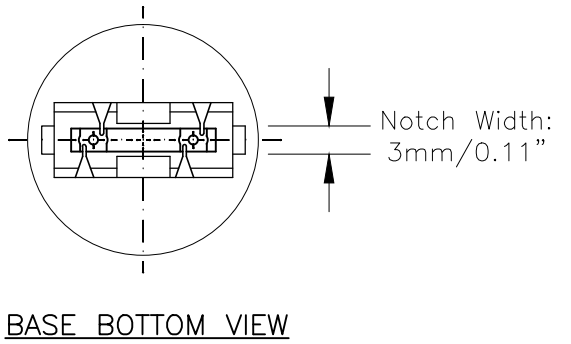
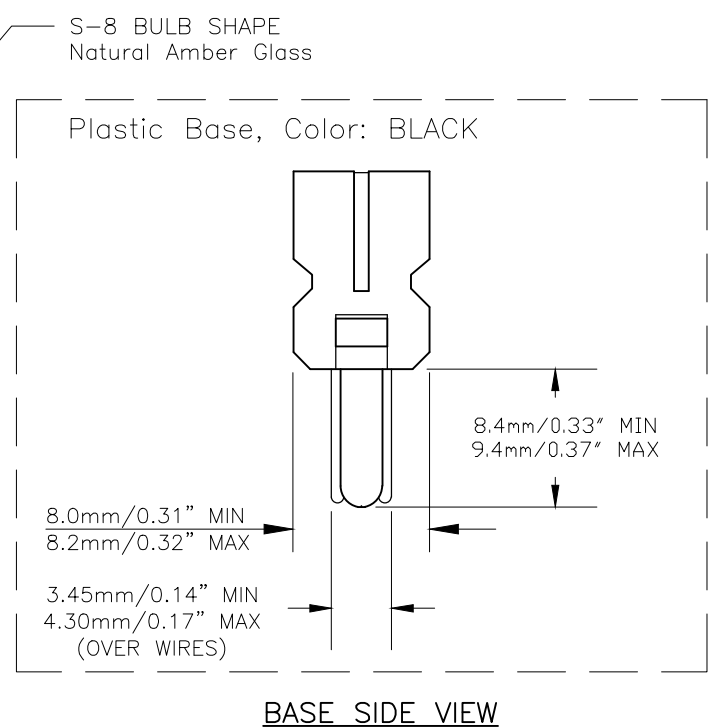
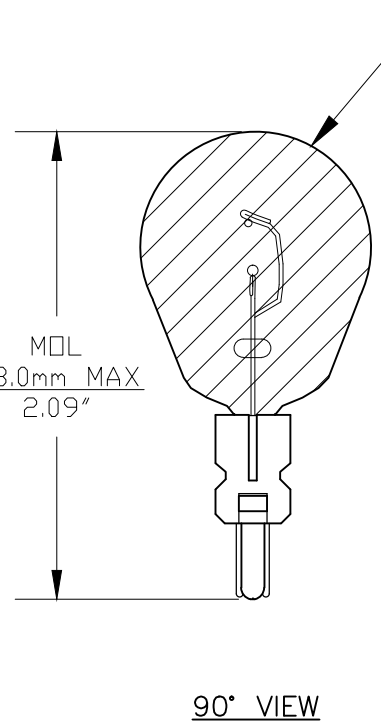
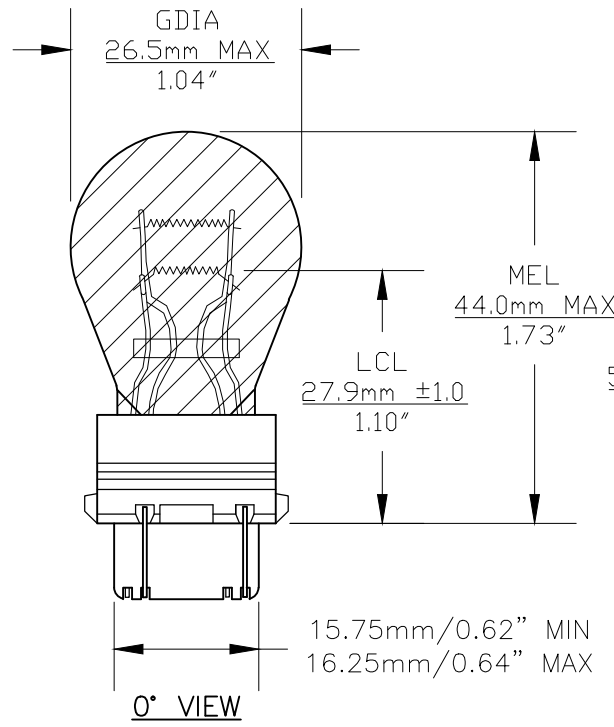




| PART NO. | BASE TYPE | DESIGN VOLTS | DESIGN AMPS | MSCD | FILAMENT TYPE | AVERAGE LIFE HOURS |
|----------|-----------------------------|----------------|--------------------|-------------------|---------------|--------------------|
| 3157NA | D.F. Plastic Wedge W2.5X16q | 12.8V 14.0V | 2.10±5% 0.59±8% | 24±30% 2.2±30% | C-6 C-6 | 1200 5000 |

| REVISIONS | | | |
|-----------|-------------|------|----------|
| REV # | DESCRIPTION | DATE | APPROVED |
| | | | |
| | | | |
| | | | |



Note: Made according to SAE specifications



| | | | |
|---|---------|--|----------------------|
| UNLESS OTHERWISE SPECIFIED: DIMENSIONS ARE IN INCHES TOLERANCES | | CEC INDUSTRIES LTD | |
| DECIMALS | ANGULAR | 599 BOND STREET LINCOLNSHIRE, IL 60069 | |
| .XX ± .05 | ± 0.5° | TITLE LIGHT BULB NO. 3157NA | |
| .XXX ± .010 | | DATE 10/30/2008 | REV 1 |
| FRACTIONAL | ± 1/64 | CHECKED | SIZE A |
| | | DESIGN | FSCM NO. |
| | | MATERIAL | DWG NO. 3157NA |
| | | | SCALE |
| | | | PLOT SCALE |
| | | | SHEET 1 OF 1 |
| | | FILE 3157NA.pdf | DRAWING NOT TO SCALE |

Cec Industries provides the best in car bulbs equipment.