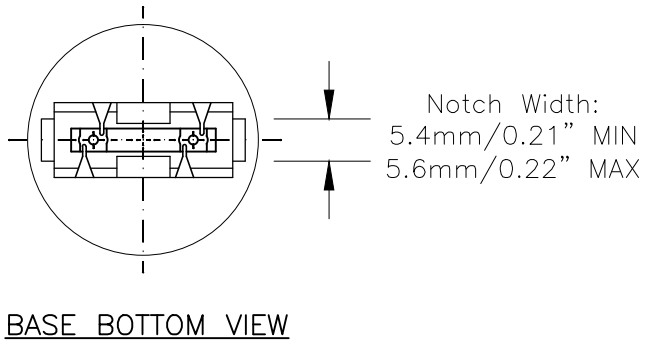
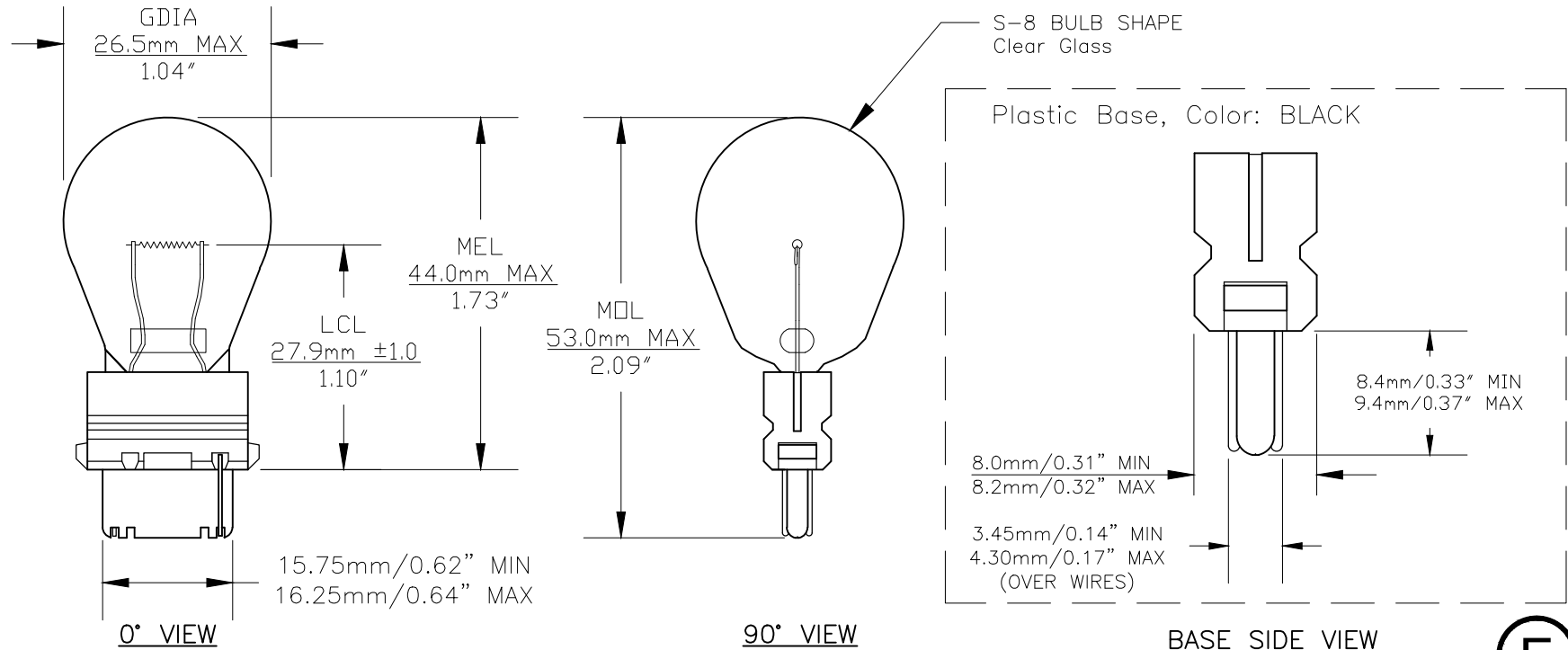




Since 1959

PART NO.	BASE TYPE	DESIGN VOLTS	DESIGN AMPS	MSCD	FILAMENT TYPE	AVERAGE LIFE HOURS	REVISIONS			
							REV #	DESCRIPTION	DATE	APPROVED
3156	S.F. Plastic Wedge W2.5X16d	12.8V	2.10±5%	32±10%	C-6	1200	1	ISSUED	06/12/2003	A.S.
							2	REDRAWN	04/09/2007	D.C.
							3	GDIA MAX DIMENSION	09/24/2009	D.C.



Note: Made according to SAE specifications

UNLESS OTHERWISE SPECIFIED: DIMENSIONS ARE IN INCHES TOLERANCES		CEC INDUSTRIES LTD	
DECIMALS	ANGULAR	599 BOND STREET LINCOLNSHIRE, IL 60069	
.XX ± .05	± 0.5°	TITLE LIGHT BULB NO. 3156 (P27W)	
.XXX ± .010		DATE 06/12/2003	REV 3
FRACTIONAL	+1/64	CHECKED	SIZE A
		DESIGN	FSCM NO.
		MATERIAL	DWG NO. 3156
			SCALE
			PLOT SCALE
			SHEET 1 OF 1
		FILE 3156.pdf	DRAWING NOT TO SCALE

Cec Industries provides the best in car bulbs equipment.