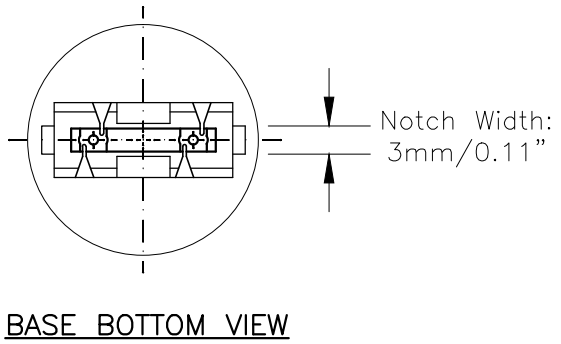
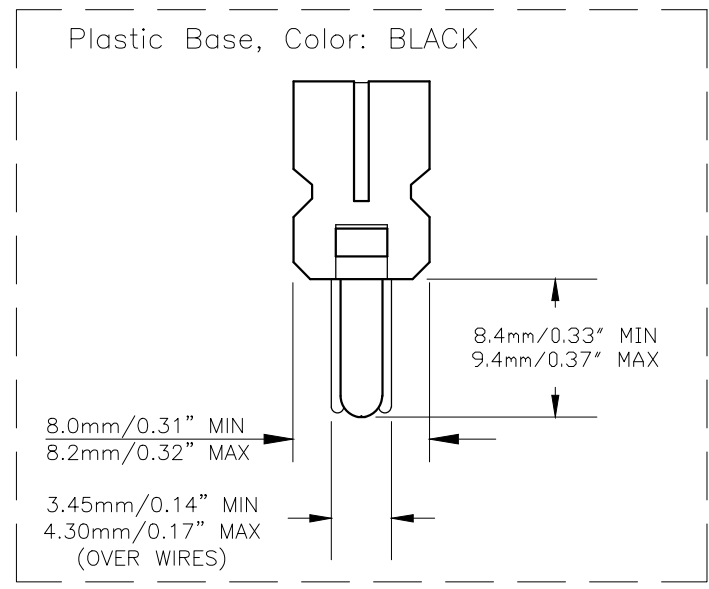
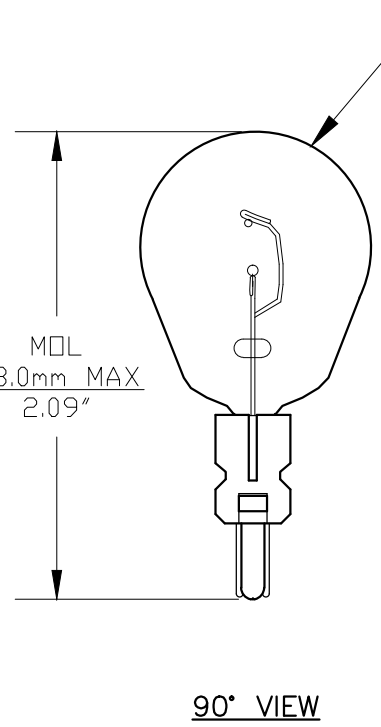
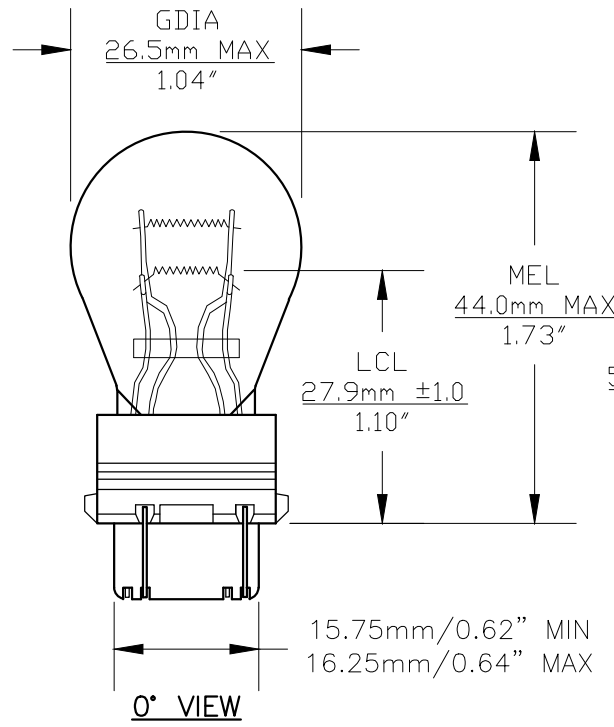




PART NO.	BASE TYPE	DESIGN VOLTS	DESIGN AMPS	MSCD	FILAMENT TYPE	AVERAGE LIFE HOURS	REVISIONS			
							REV #	DESCRIPTION	DATE	APPROVED
3057	D.F. Plastic Wedge W2.5X16q	12.8V 14.0V	2.10±5% 0.48±8%	32±10% 2 ±12%	C-6 C-6	1200 5000	1	ADDITIONAL VIEW	04/09/2007	D.C.



Note: Made according to SAE specifications



UNLESS OTHERWISE SPECIFIED: DIMENSIONS ARE IN INCHES TOLERANCES		CEC INDUSTRIES LTD	
DECIMALS	ANGULAR	599 BOND STREET LINCOLNSHIRE, IL 60069	
.XX ± .05	± 0.5°	TITLE LIGHT BULB NO. 3057	
.XXX ± .010		DATE 04/12/2001	REV 1
FRACTIONAL	1/64	CHECKED	SIZE A
		DESIGN	FSCM NO.
		MATERIAL	DWG NO. 3057
			SCALE
			PLOT SCALE
			SHEET 1 OF 1
		FILE 3057.pdf	DRAWING NOT TO SCALE

Cec Industries provides the best in car bulbs equipment.