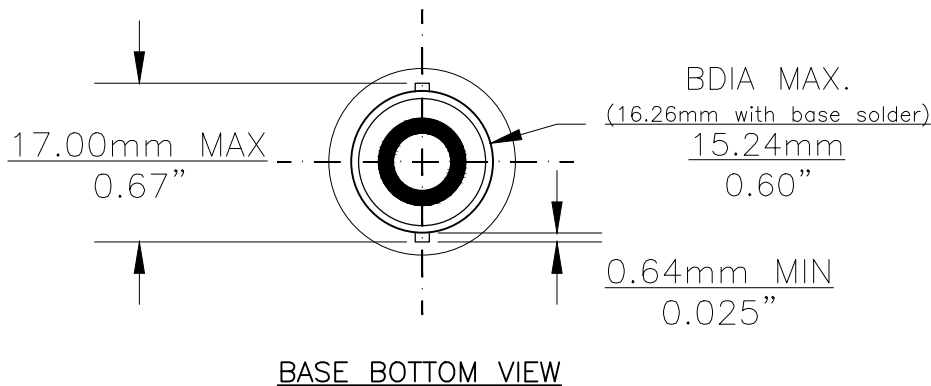
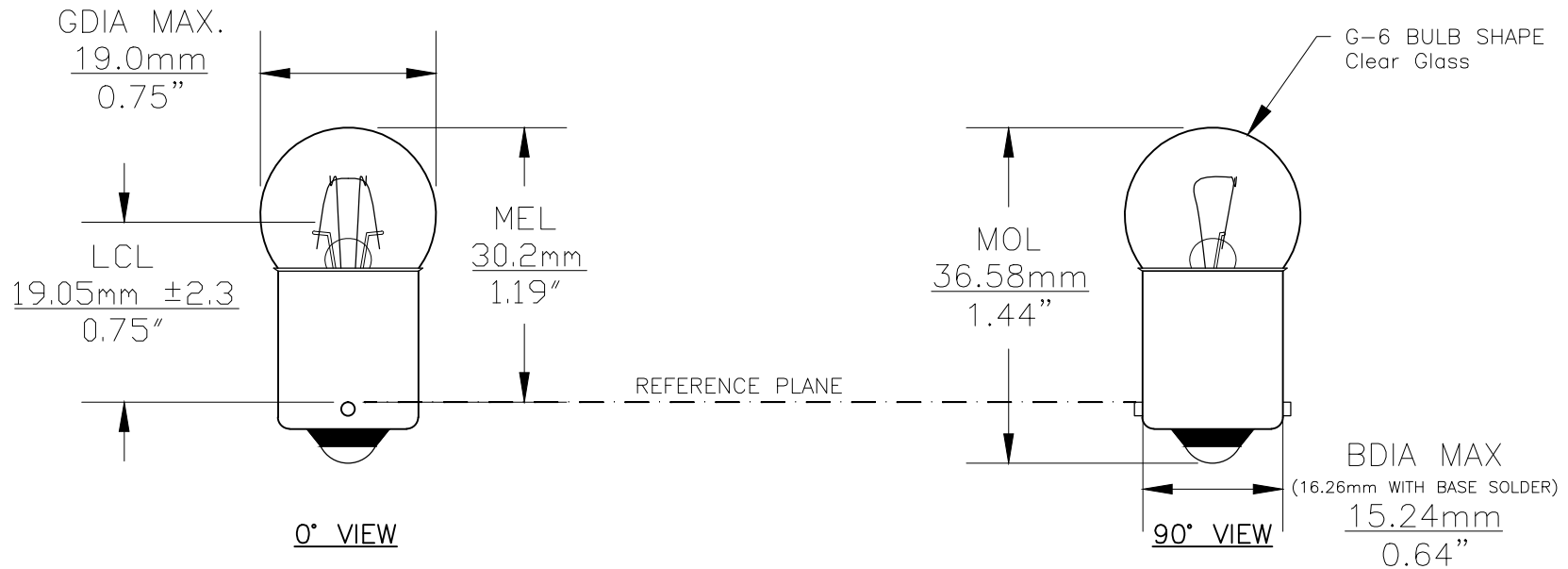




PART NO.	BASE TYPE	DESIGN VOLTS	DESIGN AMPS	MSCD	FILAMENT TYPE	AVERAGE LIFE HOURS	REVISIONS			
							REV #	DESCRIPTION	DATE	APPROVED
303	S.C. BAYONET (BA15s)	28.0V	8.4±20%	6 ±25%	C-2F	500	1	ISSUED	10/31/2014	R.M.



Note: Made according to SAE specifications

UNLESS OTHERWISE SPECIFIED: DIMENSIONS ARE IN INCHES TOLERANCES		CEC INDUSTRIES LTD	
DECIMALS .XX ± .05	ANGULAR .XXX ± .010	599 BOND STREET LINCOLNSHIRE, IL 60069	
FRACTIONAL ±1/64		TITLE LIGHT BULB NO. 303	
DATE 10/31/2014	CHECKED	SIZE A	REV 1
DESIGN	MATERIAL	FSCM NO. 303	DWG NO. 303
		SCALE	PLOT SCALE
		FILE 303.pdf	SHEET 1 OF 1
		DRAWING NOT TO SCALE	

Cec Industries provides the best in car bulbs equipment.