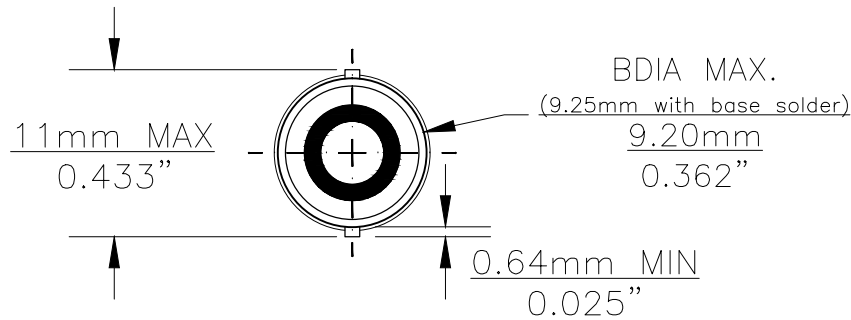
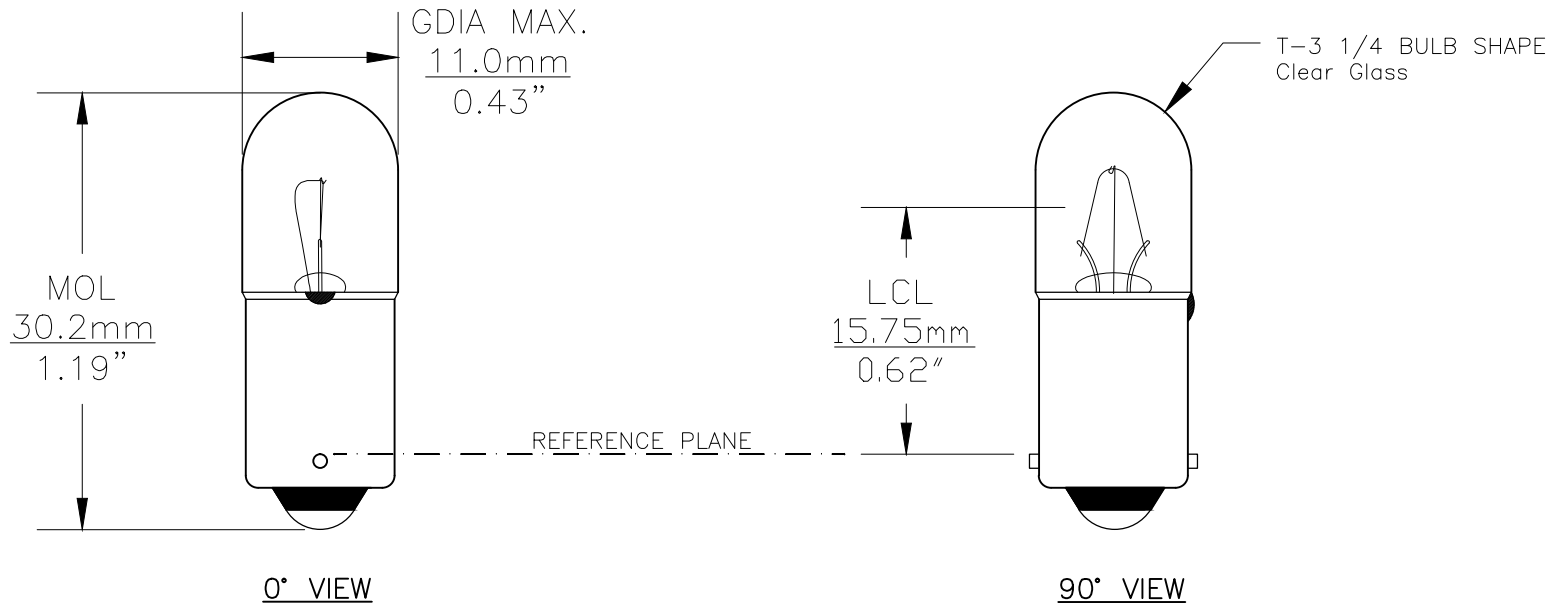




PART NO.	BASE TYPE	DESIGN VOLTS	DESIGN AMPS	MSCD	FILAMENT TYPE	AVERAGE LIFE HOURS	REVISIONS			
							REV #	DESCRIPTION	DATE	APPROVED
1816	MINIATURE BAYONET (BA9s)	13.0V	0.33±15%	3.0±20%	C-2V	1000	1	VERIFIED LAMP DIMENSIONS	10/04/2002	A.S.
							2	REDRAWN	12/20/2005	D.C.
							3	ADDED 0° VIEW & BASE BOTTOM VIEW	04/01/2016	R.M.



Note: Made according to SAE specifications

UNLESS OTHERWISE SPECIFIED: DIMENSIONS ARE IN INCHES TOLERANCES		CEC INDUSTRIES LTD	
DECIMALS	ANGULAR	599 BOND STREET LINCOLNSHIRE, IL 60069	
.XX ± .05	± 0.5°		
.XXX ± .010			
FRACTIONAL	+1/64		
DATE	TITLE		
2/12/2001	LIGHT BULB NO. 1816		
CHECKED	SIZE	FSCM NO.	DWG NO.
	A		1816
DESIGN	SCALE	PLOT SCALE	SHEET 1 OF 1
MATERIAL	FILE	DRAWING NOT TO SCALE	
	1816.pdf		

Cec Industries provides the best in car bulbs equipment.