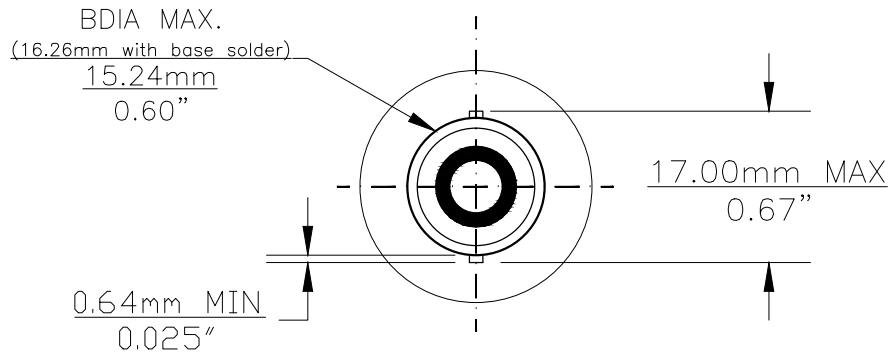
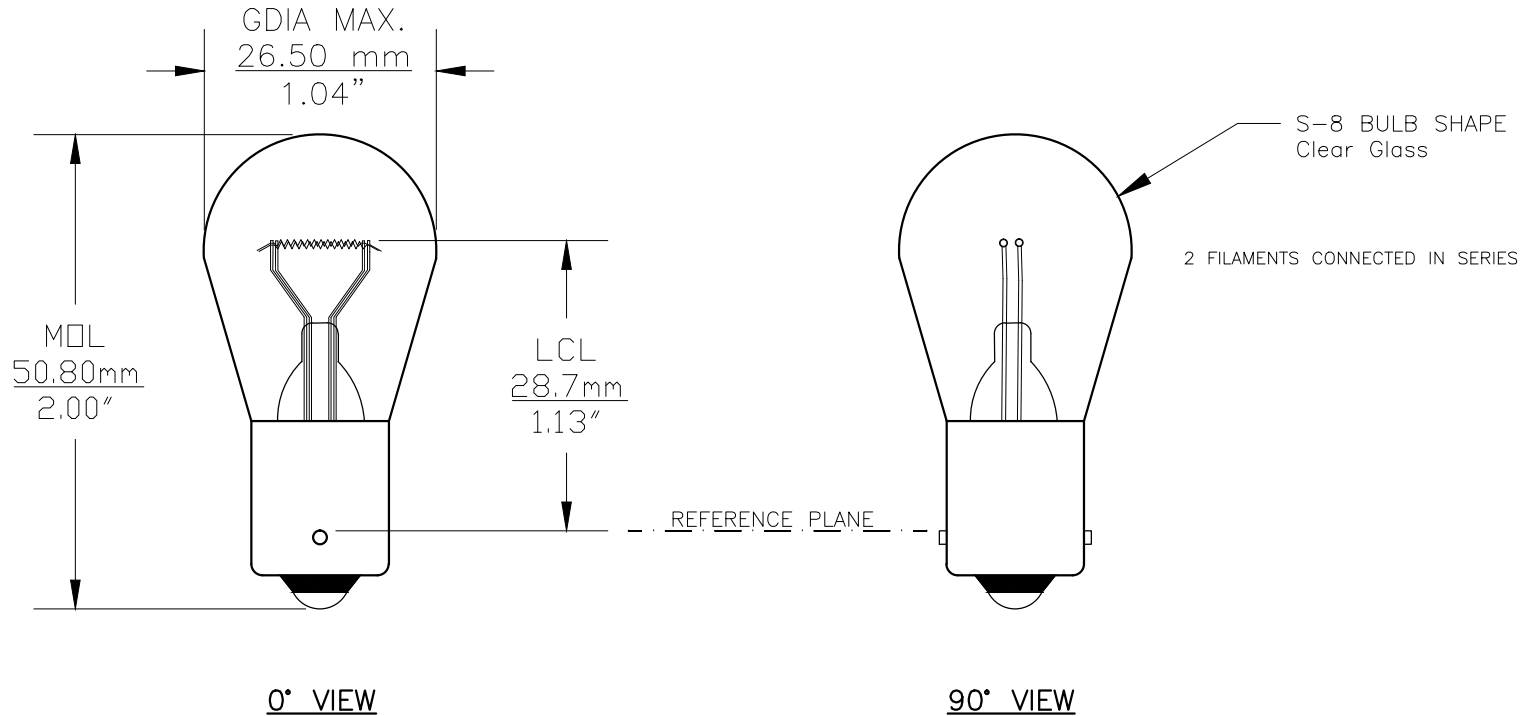




PART NO.	BASE TYPE	DESIGN VOLTS	DESIGN AMPS	MSCD	FILAMENT TYPE	AVERAGE LIFE HOURS
1691	S.C. Bayonet (BA15s)	28.0V	0.61±5%	15±10%	2C-6	1000

REVISIONS			
REV #	DESCRIPTION	DATE	APPROVED
1	ISSUED	02/01/2001	E.S.
2	UPDATED FILAMENT & MOL SPECIFICATION	05/21/2009	M.L.
3	REDRAWN FOR ADDITIONAL VIEW	10/22/2014	R.M.
4	UPDATED TO CORRECT LCL	10/27/2016	R.M.



Note: Made according to SAE specifications



UNLESS OTHERWISE SPECIFIED: DIMENSIONS ARE IN INCHES TOLERANCES		CEC INDUSTRIES LTD	
DECIMALS	ANGULAR	599 BOND STREET LINCOLNSHIRE, IL 60069	
.XX ± .05	± 0.5°	TITLE LIGHT BULB NO. 1691	
.XXX ± .010		DATE 02/01/2001	REV 4
FRACTIONAL = 1/64		CHECKED	SIZE A
		DESIGN	FSCM NO.
		MATERIAL	DWG NO. 1691
			SCALE
			PLOT SCALE
			SHEET 1 OF 1
		FILE 1691.pdf	DRAWING NOT TO SCALE

Cec Industries provides the best in car bulbs equipment.