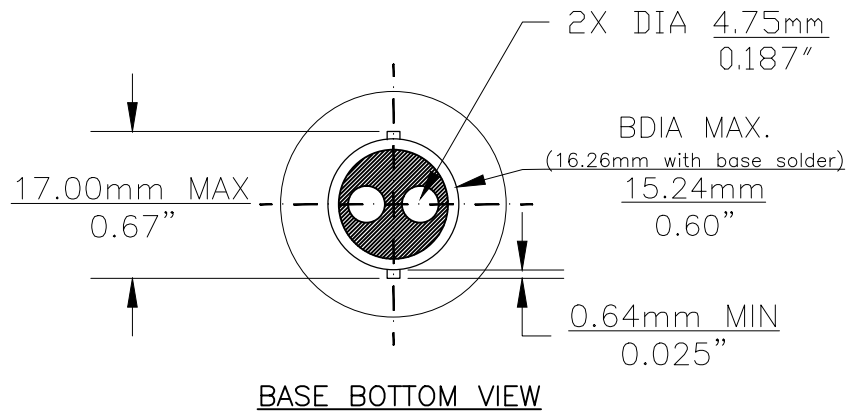
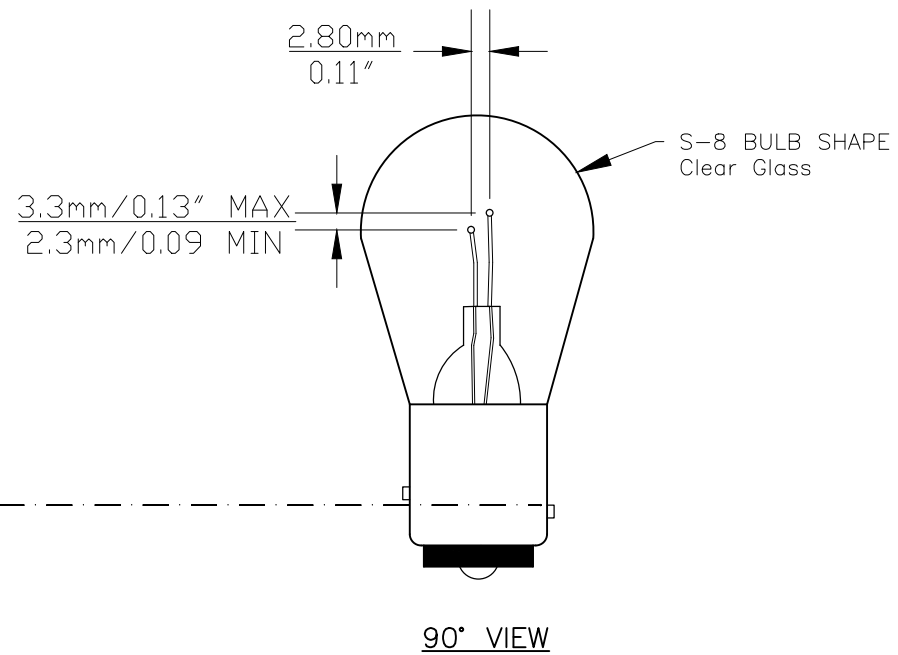
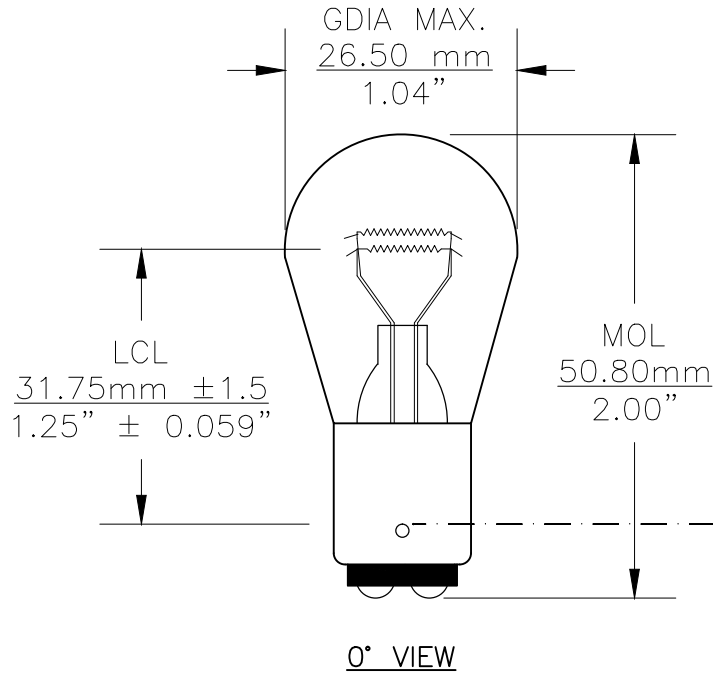




PART NO.	BASE TYPE	DESIGN VOLTS	DESIGN AMPS	MSCD	FILAMENT TYPE	AVERAGE LIFE HOURS	REVISIONS			
							REV #	DESCRIPTION	DATE	APPROVED
1154	D.C. INDEX BAY15d	6.3V 7.0V	2.63±10% 0.75±10%	21±10% 3±10%	C-6 C-6	200/1000	1	ISSUED	05/27/2014	R.M.



Note: Made according to SAE specifications

UNLESS OTHERWISE SPECIFIED: DIMENSIONS ARE IN INCHES TOLERANCES		CEC INDUSTRIES LTD	
DECIMALS .XX ± .05	ANGULAR ± 0.5°	599 BOND STREET	LINCOLNSHIRE, IL 60069
.XXX ± .010	FRACTIONAL ± 1/64	TITLE LIGHT BULB NO. 1154	
DATE 05/27/2014	CHECKED	SIZE A	FSCM NO. DWG NO. 1154 REV 1
DESIGN	SCALE	PLOT SCALE	SHEET 1 OF 1
MATERIAL	FILE 1154.pdf	DRAWING NOT TO SCALE	

Cec Industries provides the best in car bulbs equipment.