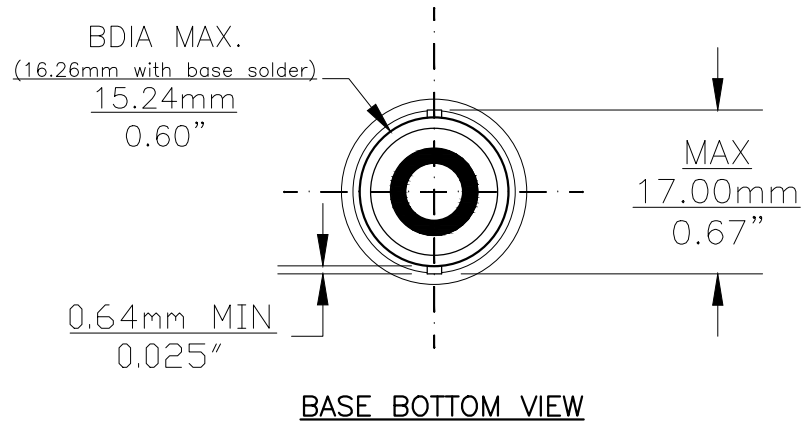
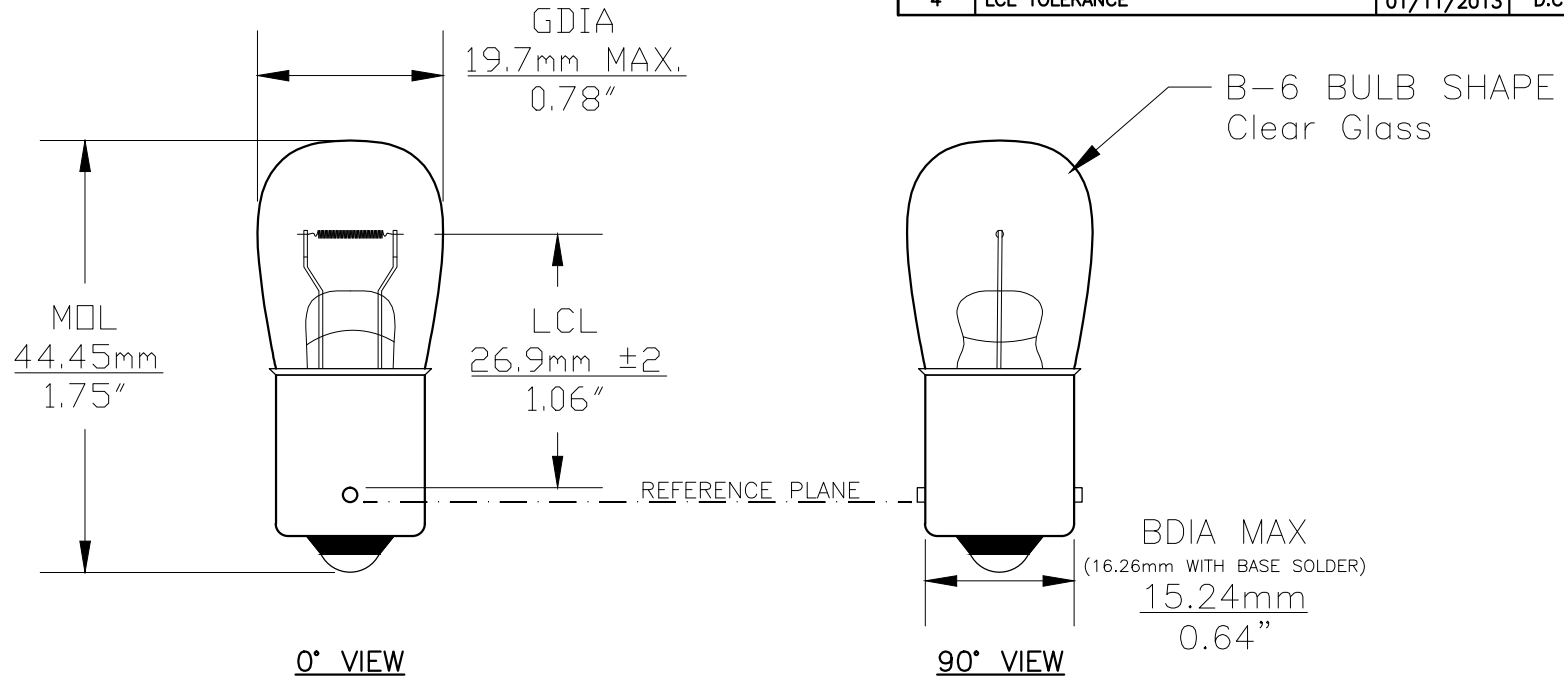




PART NO.	BASE TYPE	DESIGN VOLTS	DESIGN AMPS	MSCD	FILAMENT TYPE	AVERAGE LIFE HOURS
1003	S.C. Bayonet (BA15s)	12.8V	0.94 ±10%	15±15%	C-6	200

REVISIONS			
REV #	DESCRIPTION	DATE	APPROVED
1	ISSUED	03/20/2001	E.S.
2	VERIFIED DIMENSIONS	09/23/2002	A.S.
3	ADDRESS CHANGE	03/20/2001	E.S.
4	LCL TOLERANCE	01/11/2013	D.C.



Note: Made according to SAE specifications



UNLESS OTHERWISE SPECIFIED: DIMENSIONS ARE IN INCHES TOLERANCES		CEC INDUSTRIES LTD	
DECIMALS .XX ± .05	ANGULAR ± 0.5°	599 BOND STREET	LINCOLNSHIRE, IL 60069
.XXX ± .010	FRACTIONAL ± 1/64	TITLE LIGHT BULB NO. 1003	
DATE 03/20/2001	CHECKED	SIZE A	FSCM NO. 1003
DESIGN	SCALE	PLOT SCALE	REV 4
MATERIAL	FILE 1003.pdf	SHEET 1 OF 1	DRAWING NOT TO SCALE

Cec Industries provides the best in car bulbs equipment.