

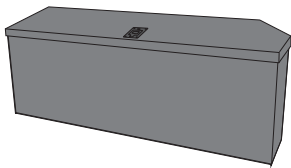


# Tailgate Storage Box

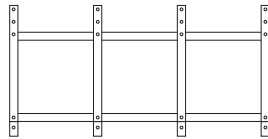
Fit: 2007 - 2017 Jeep Wrangler

Installation Instructions

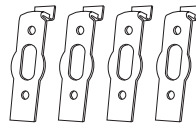
## Components



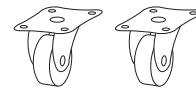
1. Aluminum Jeep box  
( 1 Box)



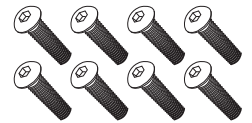
2. Mounting Bracket  
(1 piece)



3. Locking Brackets  
(4 pieces)



4. Wheels (Support  
optional 2 pieces)



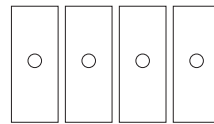
5. M6 Allen Socket Bolts  
(8 pieces)



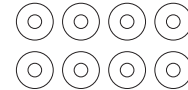
6. M4 Flat head Allen Bolt  
(20 pieces)



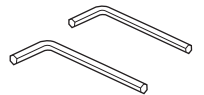
7. Bolts & nuts  
(8 sets)



8. Rectangular washers  
(4 pieces)



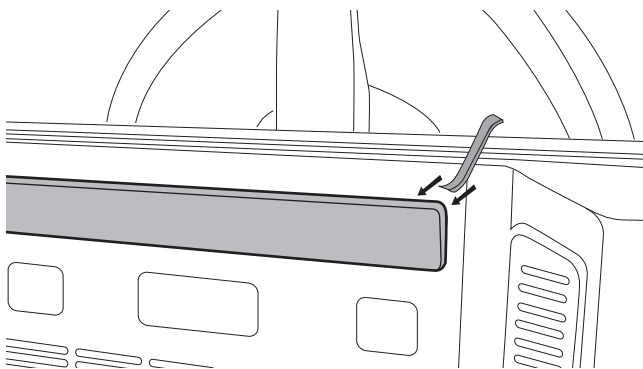
9. Washers  
(8 pieces)



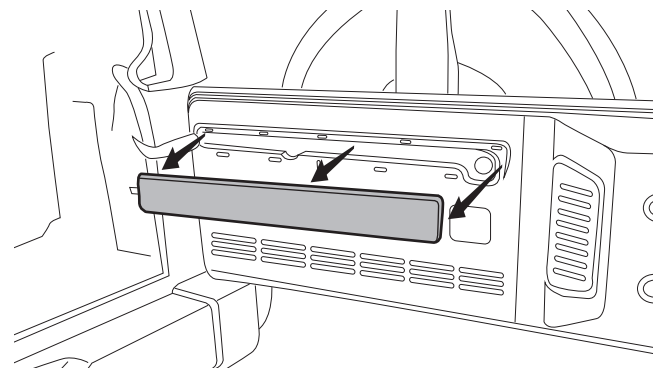
10. Allen Key  
(1 piece for M6 and  
1 piece for M4)

## Installation Instructions

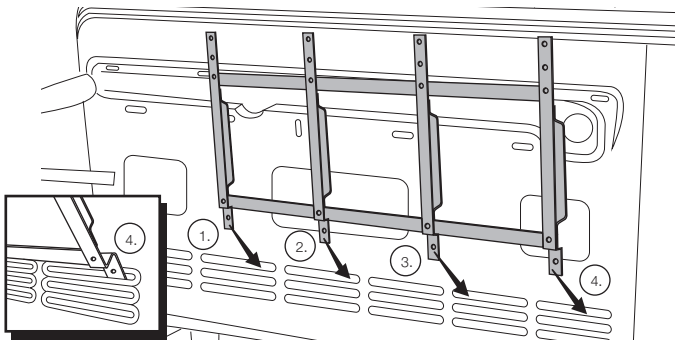
1. Using a plastic pry tool to pry plastic cover.



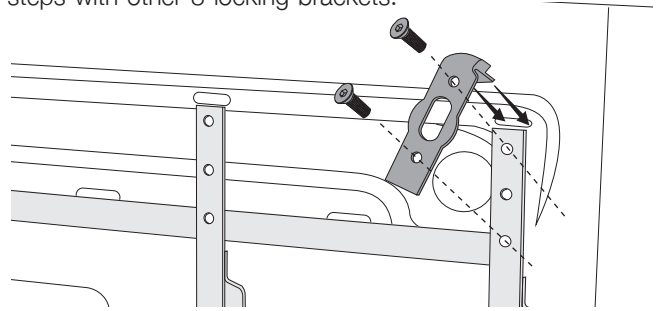
2. Remove plastic cover from tailgate.



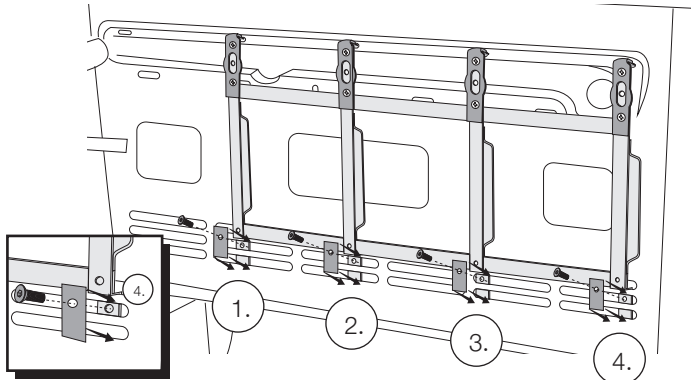
3. Insert bottom of mounting bracket into tailgate slot.



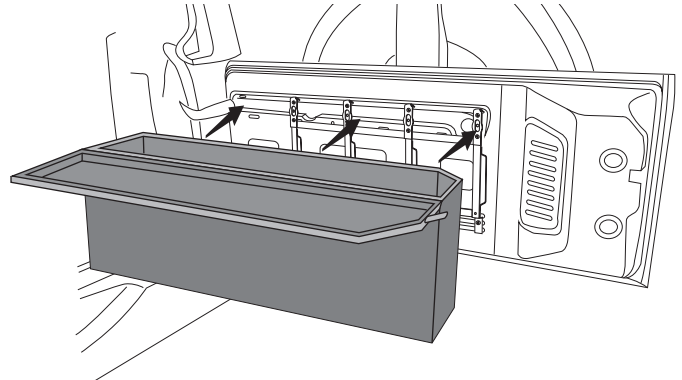
4. Insert locking bracket into tailgate slot. Tighten locking bracket to mounting bracket with 2 screws. Repeat these steps with other 3 locking brackets.



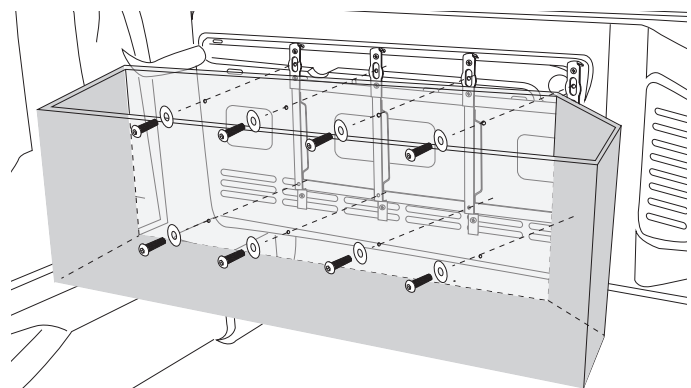
5. Tighten rectangular washer to lower mounting bracket.



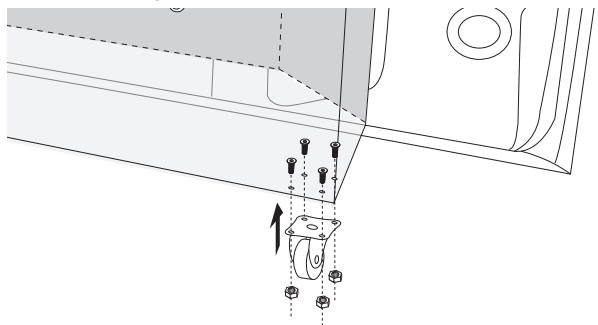
6. Align box to mounting bracket.



7. Tighten box using provided M6 Allen socket bolts and washer



8. Assemble the wheels with 4 screws sets in each side for added support when tailgate is closed. Install support wheels when storing heavyload.



9. Finished.

