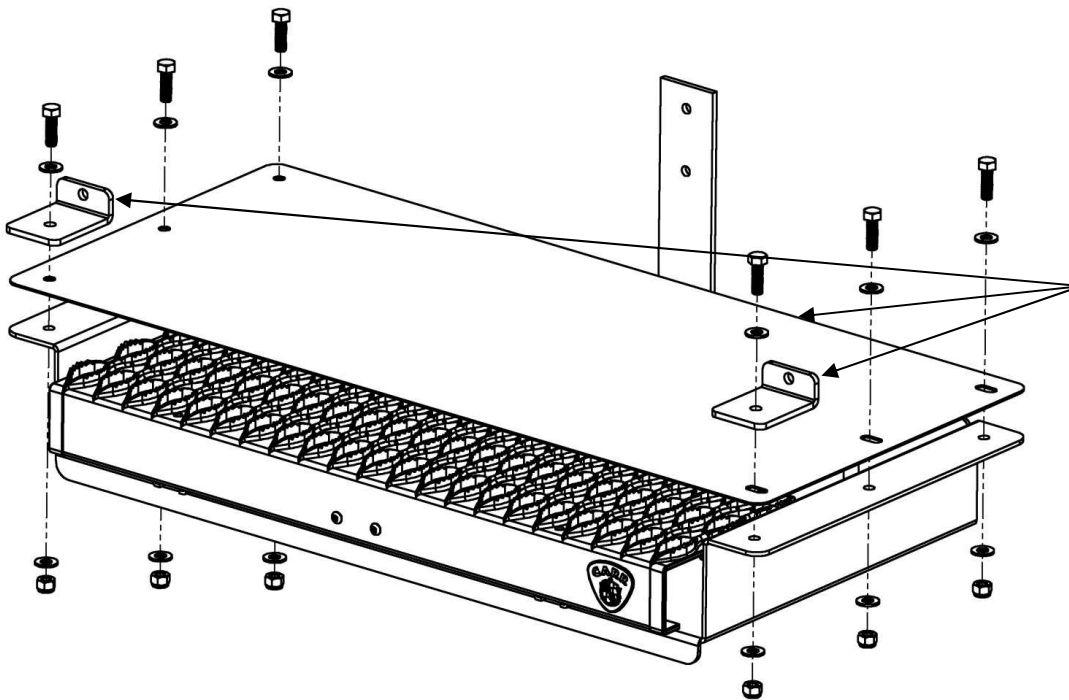
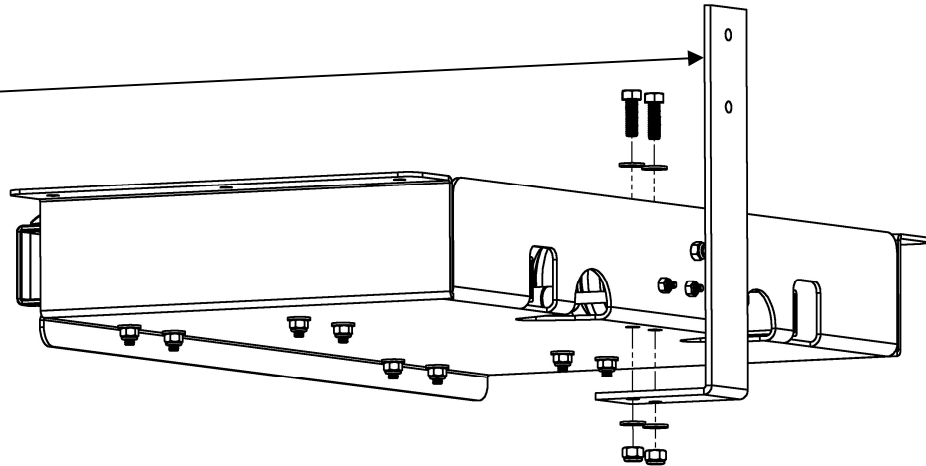


# Work Truck Step Installation Instructions for Dodge Pro Master Van

## Part No: 501090 / 501097

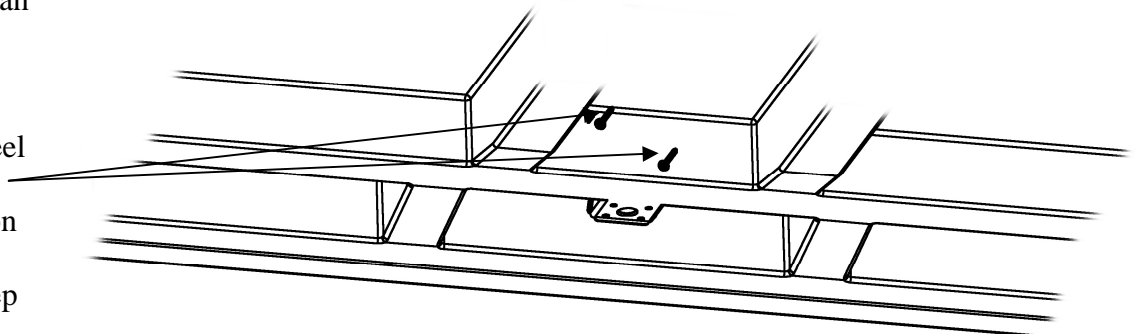


1. Mount the Rear Steel Bracket to the pan with the 5/16" hardware provided and securely tighten them to the pan.



2. Assemble the cover and Front Steel Brackets to the step assembly as shown. Use the 5/16 hardware provided. Make sure the Front Steel Brackets are parallel to the front edge of the cover and not cocked at angle.

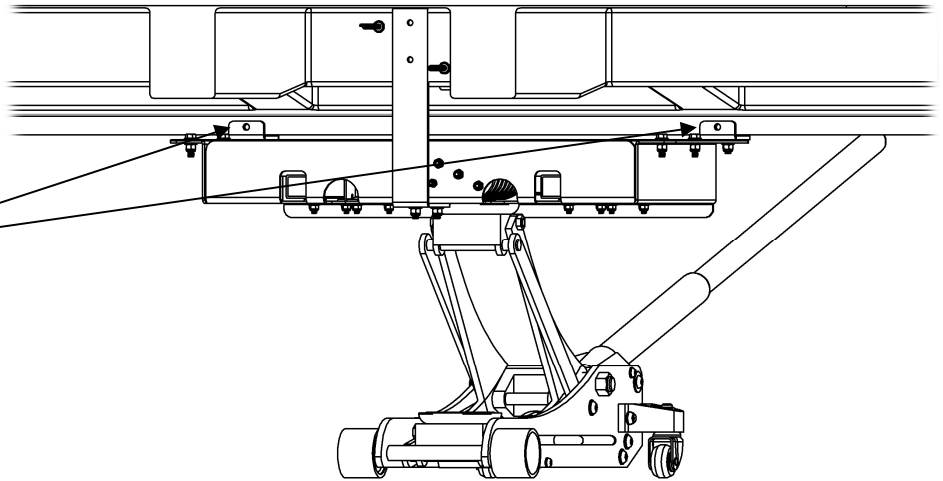
3. From underneath your van where the side door is, identify this body metal. Between the two threaded studs is where the Rear Steel Bracket will be mounted. This is our recommendation for the best position of the step. You can move the step to either side of these threaded studs for personal preference location.



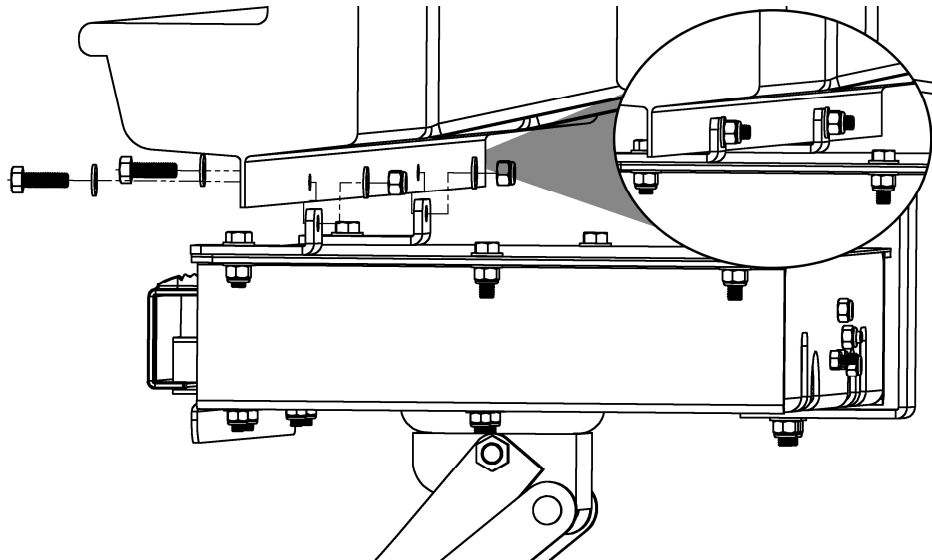
# Work Truck Step Installation Instructions for Dodge Pro Master Van

## Part No: 501090 / 501097

4. With the step assembly resting on a floor jack or something similar take a pencil or pen and use the holes in the Front Steel Brackets as a guide and mark two holes on the inside surface of the pinch weld.

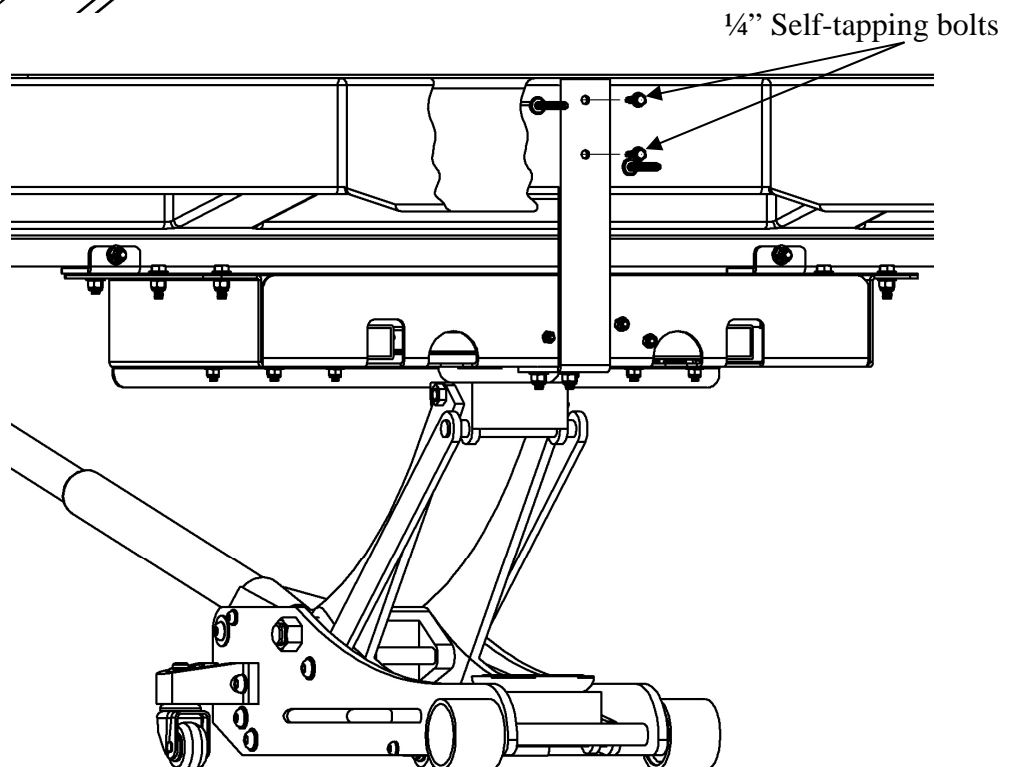


5. Lower the front end of the step down to expose the marked holes. Take a drill motor (a right-angled drill motor will make this easier) with an 11/32" drill bit and drill out the marked holes. Remove all burrs. Lift the step back into position. Take the remaining 5/16" hardware and securely tighten the Front Steel Brackets to the vehicle.



6. Make sure the Rear Steel Bracket is all the way up against the top of the body metal as shown. Take the two 1/4" self-tapping bolts with your drill motor and 7/16" socket and securely tighten these two bolts.

7. Now your step is ready to go. Push the step in with your foot to lock in its closed position. Push it again to deploy it. **We recommend using a garage door opener silicone spray on the rails from time to time to insure smooth operation of the step.**



# Work Truck Step Installation Instructions for Dodge Pro Master Van

## Part No: 501090 / 501097

### **WARNINGS!**

- ✓ FOR SAFE AND PROPER USAGE OF THIS PRODUCT, THE MOUNTING INSTRUCTIONS MUST BE FOLLOWED CAREFULLY AND COMPLETELY.
- ✓ The manufacturer and distributor of this product are in no way responsible for the consumer's failure to adhere to the warnings and directions of these instructions in the event of damage to the consumer's vehicle, other properties and/or personal injury.

### **Vehicle Application:**

'14-20 Pro Master Van Side Door

### **MAINTENANCE NOTE:**

We recommend using a garage door opener silicone spray on the rails from time to time to insure that the step slides in and out easily.

### **MATERIALS NEEDED:**

- \* Drill motor (Right angle drill motor is preferred).
- \* Impact wrench (if available)
- \* 11/32 drill bit
- \* Pencil or some marking device
- \* 2 – ½” wrenches or sockets
- \* 1 – 7/16” socket
- \* Floor Jack or something similar

### **MATERIAL FURNISHED:**

- \* Step Assembly
- \* 2 – Front Steel Brackets
- \* 1 – Rear Steel Brackets
- \* 1 – Cover Plate
- \* Hardware installation pack
- \* Instruction sheet

Installation time for one step assembly – 45 minutes