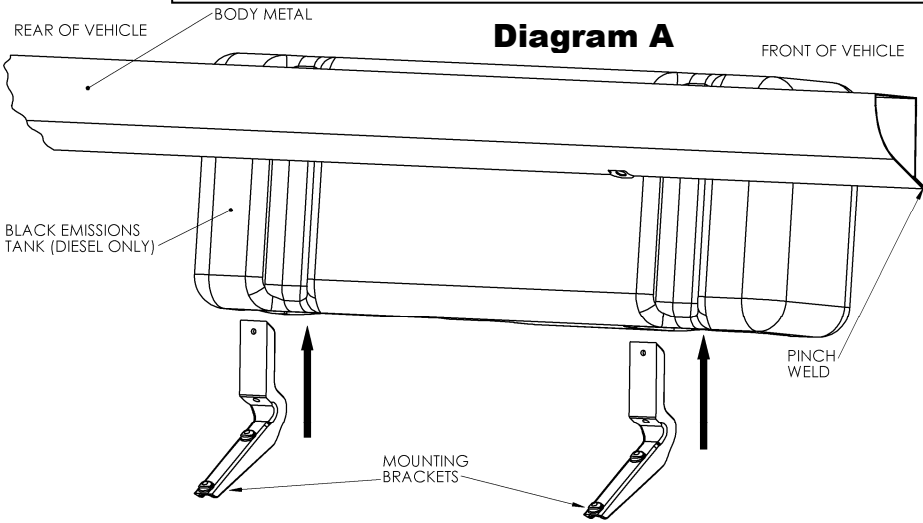




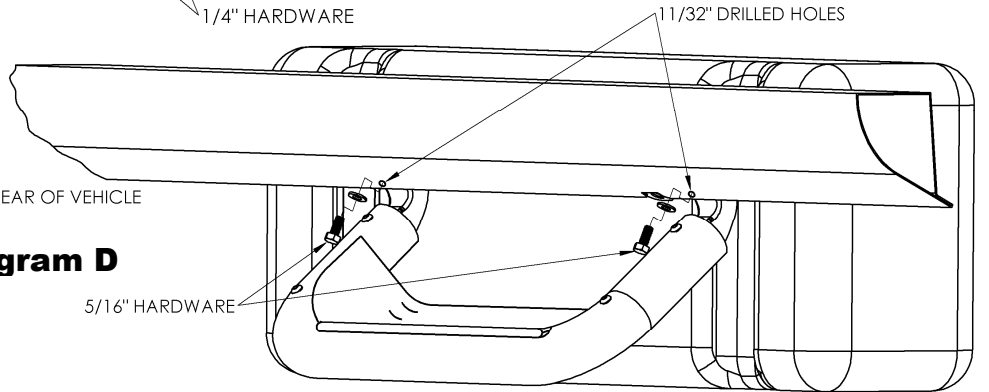
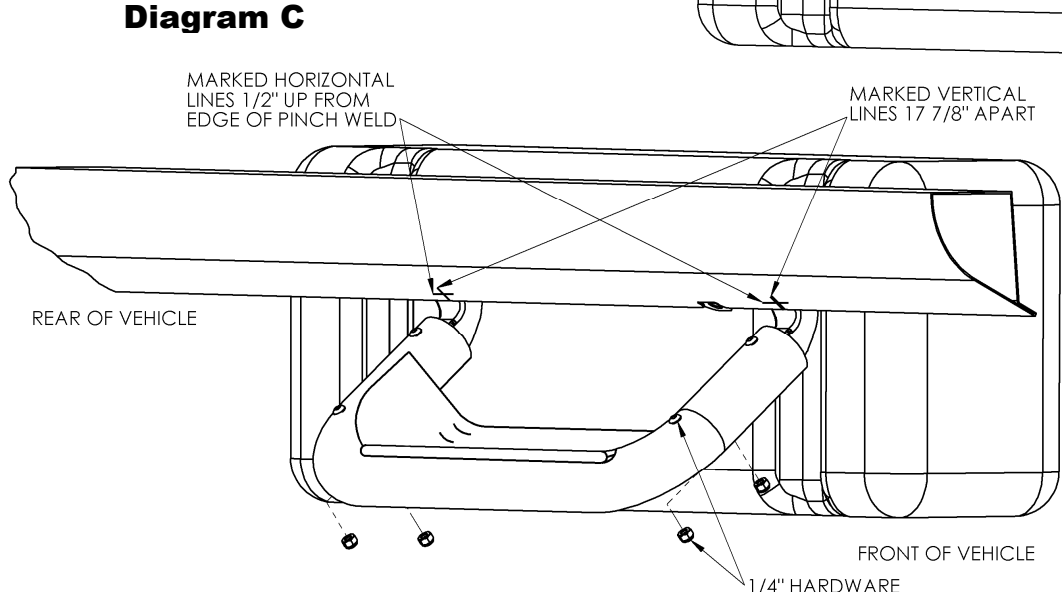
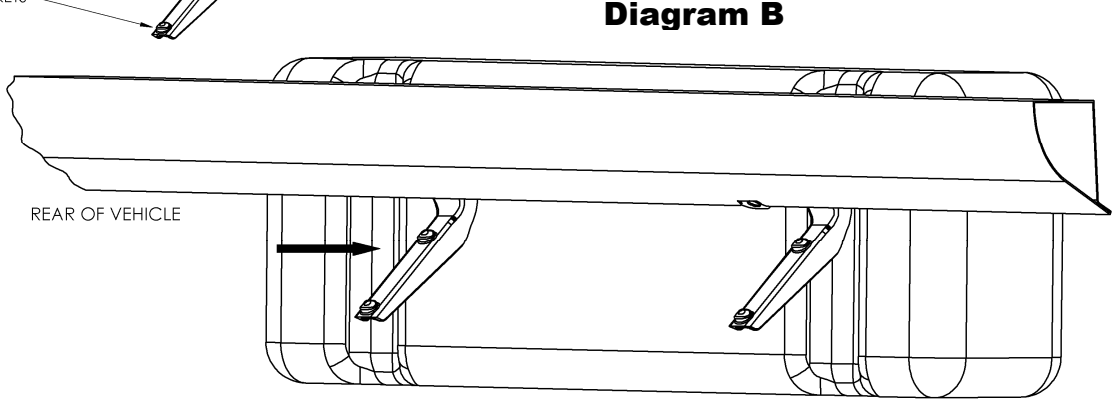
Super Hoop Step Installation Instructions

Part No's: 126331 / 126332 / 126334 / 126337
Chevy/GMC '11-'19 - Silverado/Sierra 2500-3500 All Cabs (Diesel)

DIAGRAMS A, B, C & D ARE VIEWED FROM THE PASSENGER SIDE



**For model year 2017
& newer, go to pages
3 and 4**





Super Hoop Multi-Mount Step Installation Instructions

Part No's: 126331 / 126332 / 126334 / 126337



WARNINGS!

- ✓ Do not over tighten the nuts and bolts or damage to the castings and or stripping of the threads could result.
- ✓ FOR SAFE AND PROPER USAGE OF THIS PRODUCT, THE MOUNTING INSTRUCTIONS MUST BE FOLLOWED CAREFULLY AND COMPLETELY.
- ✓ The manufacturer and distributor of this product are in no way responsible for the consumer's failure to adhere to the warnings and directions of these instructions in the event of damage to the consumer's vehicle, other properties and or personal injury.



Vehicle Application:

CHEVY

'11-'19 Sierra/Silverado 2500-3500 All Cabs (Diesel)

WAX YOUR STEP ON A REGULAR BASIS TO MAINTAIN ITS LUSTER

MATERIAL NEEDED:

Drill motor, 11/32" drill bit, 1/8" drill bit, pencil, flat blade screw driver or 5/16" socket, center punch, one 1/2" wrenches, one 7/16" wrench, 5/32" Allen Wrench, Loctite and silicone.

MATERIAL FURNISHED:

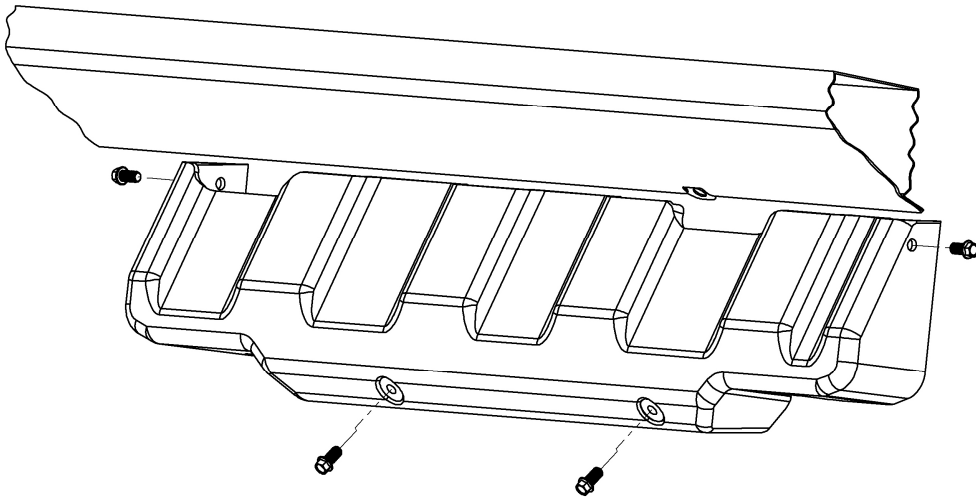
Two step castings, four mounting brackets, instruction page and two hardware packs. (Not all hardware may be used)

1. These steps mount to an extremely strong part of your vehicle, the back side of its rocker panels. For the proper position of the step, the front edge of the seat while in normal driving position should be in line with the center of the step. For personal preference or to avoid any obstruction that may be on the backside of the rocker panel, the step can be moved towards the front or the rear of the vehicle.
2. Take the Mounting Brackets and slide them up along the grooves of the Black Emissions Tank so that the Mounting Brackets are resting on the inside of the Pinch weld. See Diagram A.
3. Slide the back Mounting Bracket towards the front of the vehicle as shown in Diagram B. **IMPORTANT: There is a wire harness on the backside of the Body Metal. Make sure each Mounting Bracket is flat against the Body Metal and not resting on the wire harness. If the wire harness is between the Mounting Bracket and the Body Metal, serious damage could occur to your vehicle's electrical system.**
4. That the Step Casting with the 1/4" hardware provided with your 5/32" Allen and 7/16" wrench and securely tighten the Step Casting to the Mounting Brackets. Diagram C.
5. Position the step assembly in the desired position. Find the center of each Mounting Bracket and mark two vertical lines on the painted surface of the body metal. Distance between the two vertical lines need to be 17 7/8". See Diagram C.
6. Move the step assembly to the side for the next step and for drilling out the holes.
7. At each mark vertical line, measure up from the edge of the Pinch Weld 1/2" and mark another line forming a cross-hair mark. Diagram C.
8. Center punch the center of each cross-hair mark. Drill out the centers with a 1/8" drill bit and then go back and drill the holes with a 11/32" drill bit. Remove all burrs. Reposition the step assembly so that the holes in the step and drilled holes line up.
9. Take the 5/16" hardware provided and hand tighten the Mounting Brackets to the Body Metal. NOTE: We suggest using Loctite when installing these bolts. **IMPORTANT: The holes in the Mounting Brackets are threaded. Make sure you hand tighten the 5/16 bolts several turns before final tightening. Failure to do this may strip out the threaded holes. Filing holes larger may be necessary if they don't align. Dia. D.**
10. **The hex sheet metal screws provided are not necessary for the step where the Black Emissions Tank is located.** The other three steps will use the hex sheet metal screw. To install the hex sheet metal screws, take a 1/8" drill bit and drill out the top holes on each Mounting Bracket. Take the sheet metal screws and securely tighten.
11. For all the other Step Castings, follow the same steps above, leaving out all references to the Black Emissions Tank.
12. Use silicone on all drilled areas to insure a better weather resistant installation.
13. Your steps are ready for use.

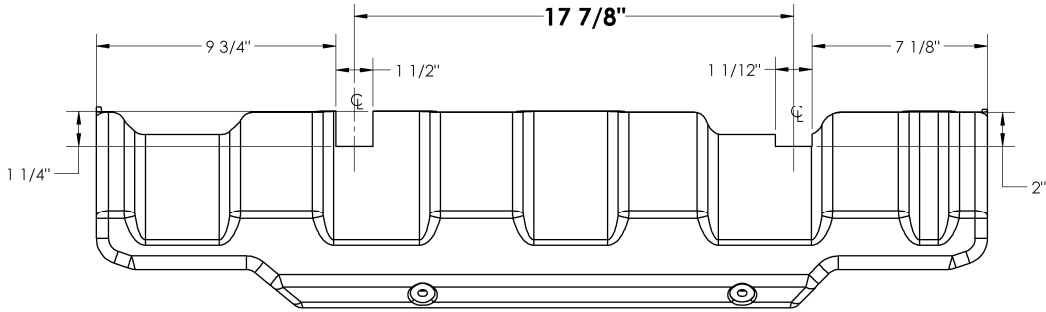


Super Hoop Step Installation Instructions

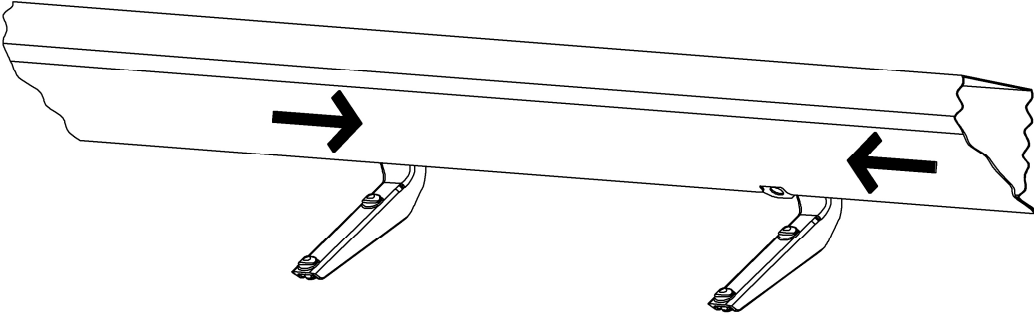
Part No's: 126331 / 126332 / 126334 / 126337
Chevy/GMC '17-'19 - Silverado/Sierra 2500-3500 All Cabs (Diesel)



1. Under the passenger front door, remove the black DEF plastic tank cover from your vehicle. You will need a 10mm socket to remove the four bolts. Keep these bolts for reinstallation.



2. With the dimension provided, cut the two slots out on this cover. It is recommended to use a Dremel or similar tool to grind these slots. Cutting with a saw may crack the plastic.



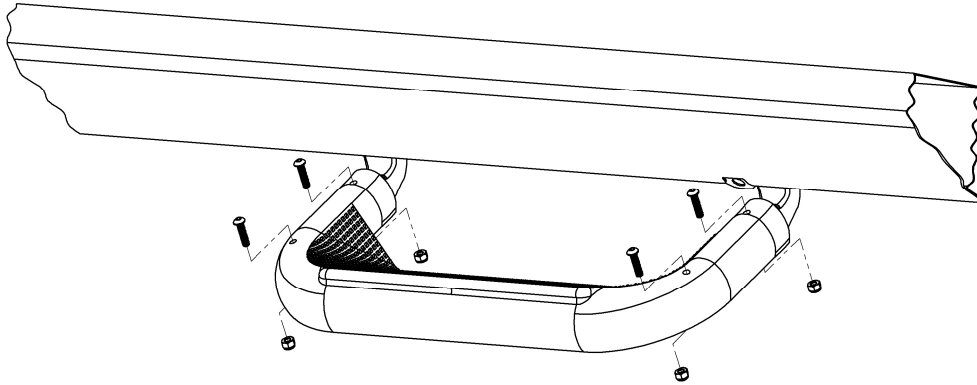
3. Slide the Mounting Brackets behind the rocker panel and in front of the DEF tank as indicated. Move the right Mounting Bracket up against the tab as shown in the diagram. Both Mounting Brackets can be moved forward if desired for a different placement



Super Hoop Step Installation Instructions

Part No's: 126331 / 126332 / 126334 126337

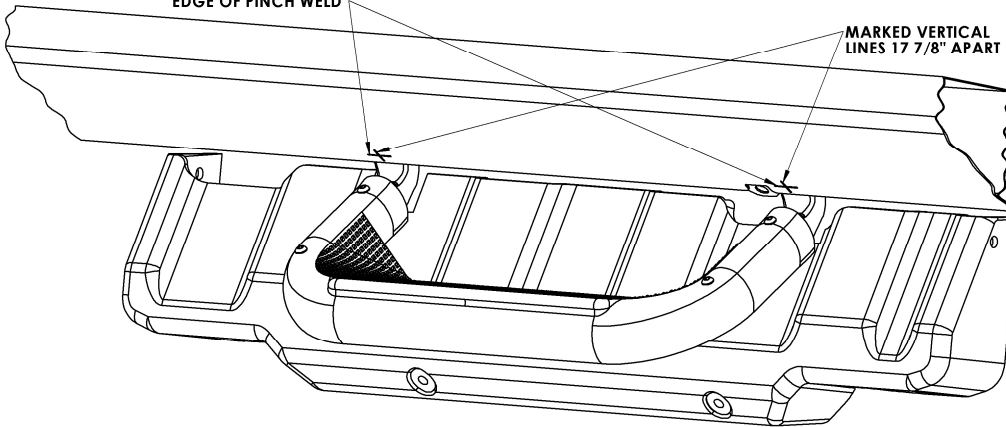
Chevy/GMC '17-'19 - Silverado/Sierra 2500-3500 All Cabs (Diesel)



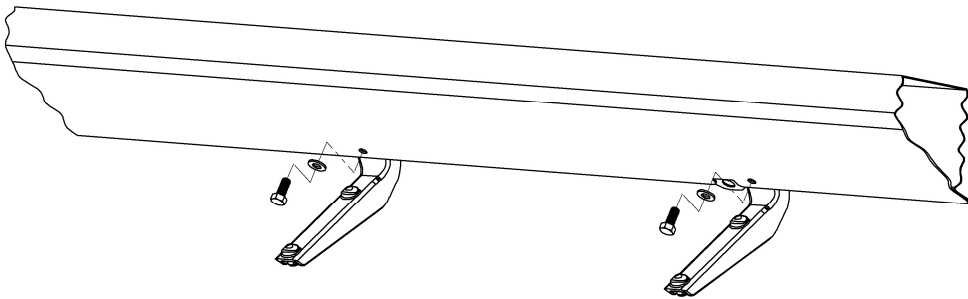
4. Place the Step Casting on the Mounting Brackets. Take the $\frac{1}{4}$ " hardware provided and hand tighten the hardware.

MARKED HORIZONTAL LINES 1/2" UP FROM EDGE OF PINCH WELD

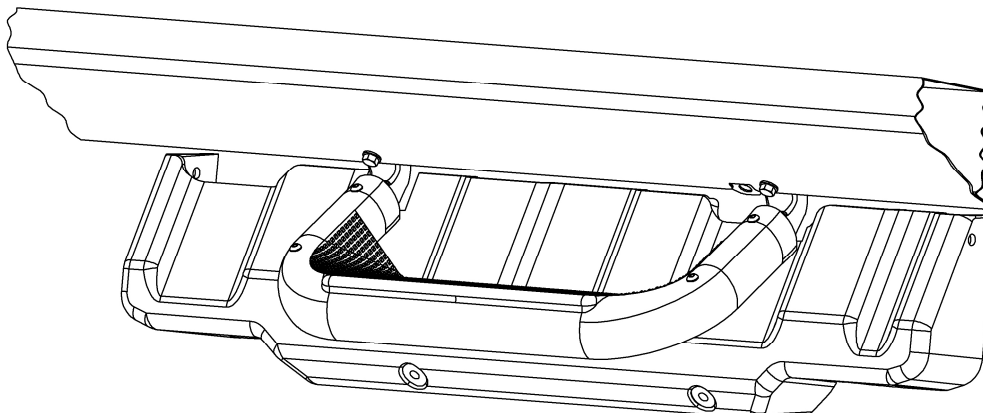
MARKED VERTICAL LINES 17 7/8" APART



5. Reinstall the DEF tank cover. Slide the Mounting Bracket/Step Casting assembly so that the back of the Mounting Brackets line up with the slots in the DEF tank cover. Mark the lines on the vehicle's body metal as indicated on the drawing. Make sure the **17 7/8"** vertical lines are on center with the Mounting Brackets.



6. Once again, remove the DEF tank cover. Also remove the Step Casting from the Mounting Brackets. Move the Mounting Brackets to the side. Center punch the center of each cross-hair mark. Drill out the centers with a $\frac{1}{8}$ " drill bit and then go back and drill out the holes with a $\frac{11}{32}$ " drill bit. Remove all burrs. Refer to Step 8 on Page 2 for installing $\frac{5}{16}$ " hardware.



7. Reinstall the DEF tank cover. Refer to Steps 9-13 on Page 2 for final installation of this and all others steps. NOTE: To insure both steps are in a similar position on the front doors, when installing the front driver Super Hoop step refer to the position of the step that you just installed on the front passenger side.