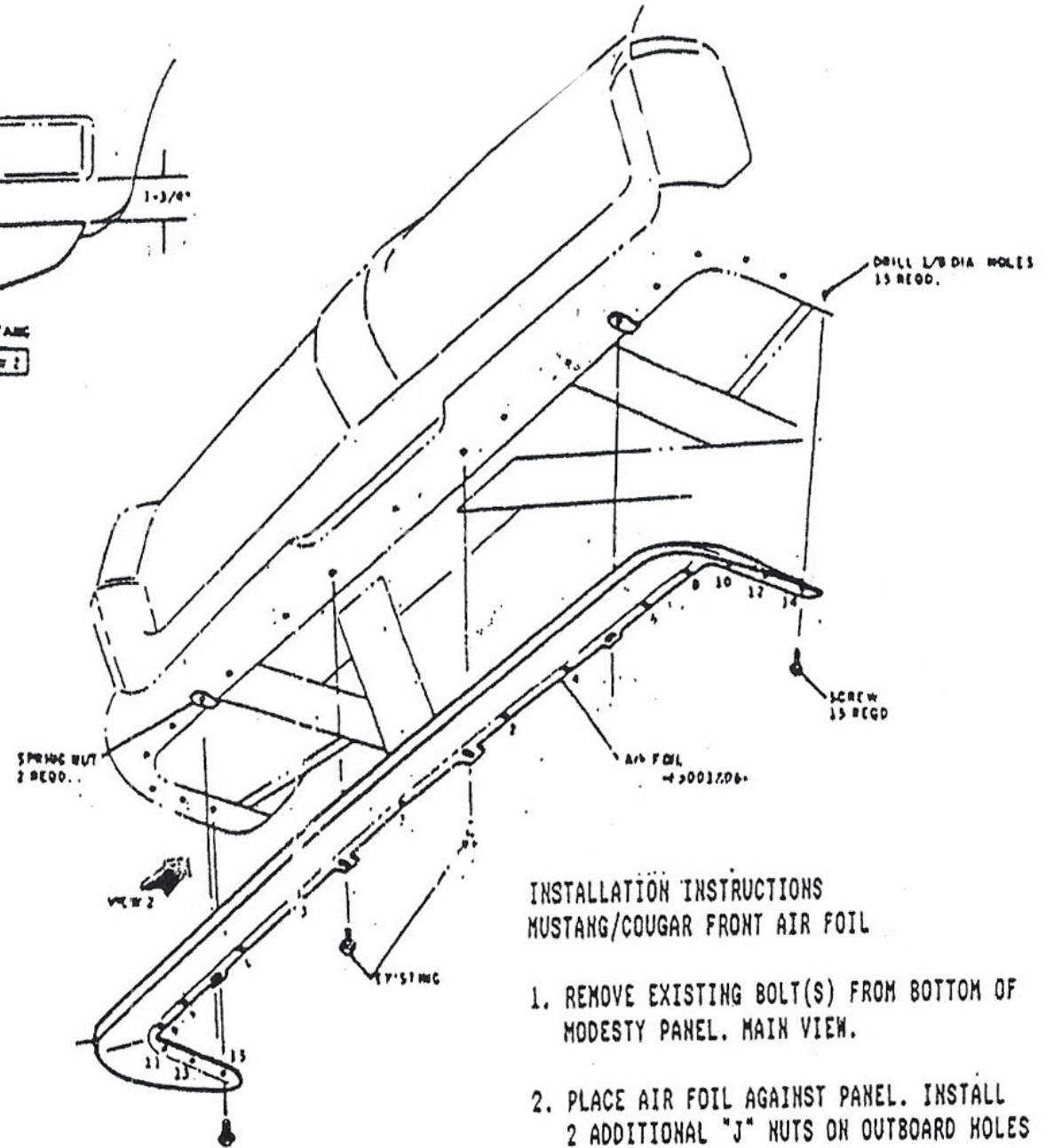
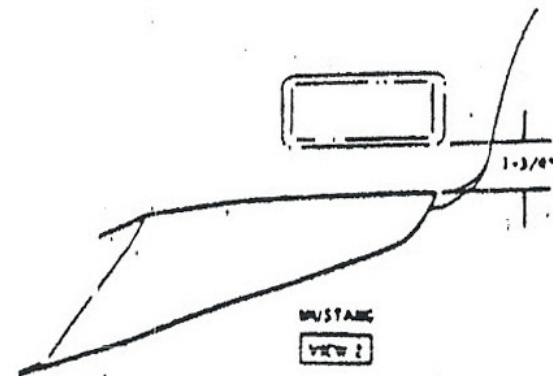
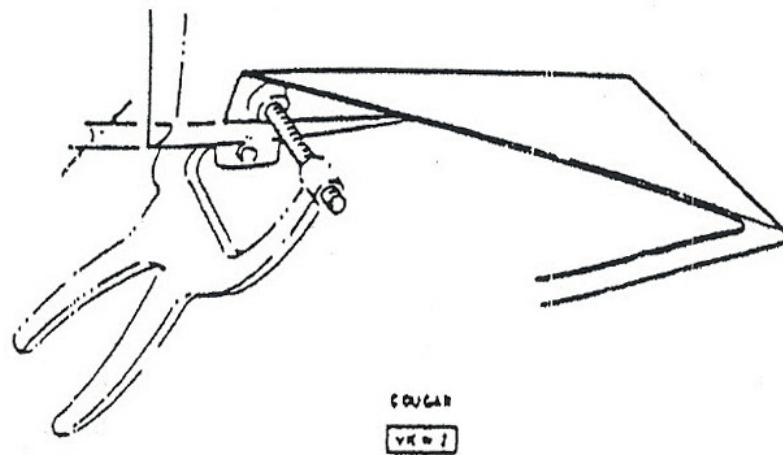


NOTE: 1969 SPOILER ATTACHED AT BOTTOM OF VALANCE
 1970 SPOILER ATTACHED APPROXIMATELY 4" UP FROM BOTTOM
 ACTUAL SCREW HOLES MAY VARY FROM INDENTS. LINE UP
 SPOILER PROJ TO DRILLING ANY HOLES.



INSTALLATION INSTRUCTIONS
 MUSTANG/COUGAR FRONT AIR FOIL

1. REMOVE EXISTING BOLT(S) FROM BOTTOM OF MODESTY PANEL. MAIN VIEW.
2. PLACE AIR FOIL AGAINST PANEL. INSTALL 2 ADDITIONAL "J" NUTS ON OUTBOARD HOLES & ATTACHING MAIN BOLTS: 4 ON COUGAR, 3 ON MUSTANG.
3. USING AIR FOIL AS TEMPLATE, DRILL 1/8 DIA. HOLES & INSTALL SCREWS IN ORDER SHOWN IN SKETCH. NOTE: ALL SCREWS MUST BE USED FOR FIRM INSTALLATION

MUSTANG & COUGAR

I.S. 3495
INSTALLATION - KIT - AIR FOIL FRONT