

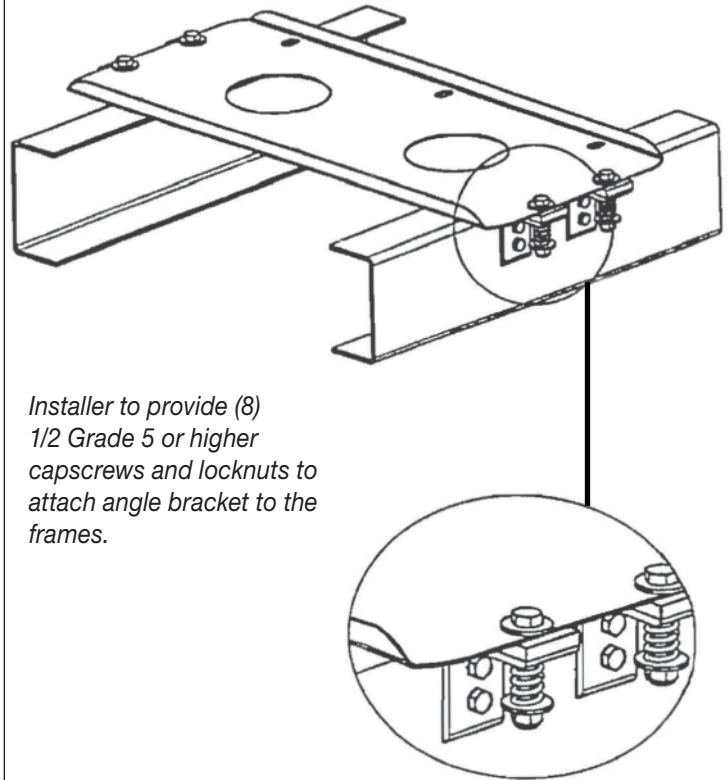
Installation Instructions

3000187 50 Gallon Reservoir

Procedure (Frame Mounts)

1. Set the reservoir base on frame rails of the truck chassis in the desired position.
2. Position angle brackets against the sides of the frame rails so that the desired drill holes are positioned against the flat portion of the reservoir mounting base.
The top of the bracket should be flush with the top flange of the frame.
3. Mark and drill holes through the angle brackets and frame rails (two holes per bracket).
4. Mount the angle brackets to the frame.
5. Place rubber cushions atop the four mounting brackets. The rubber cushions should be above the top of the frame rails.
6. Install the mounting base and secure with the 5/8" cap-screws, washers, springs and locknuts as supplied (Fig. 1).

Tighten 5/8" lock nut until the compressed length of spring is 1-1/2". Do not compress spring completely.

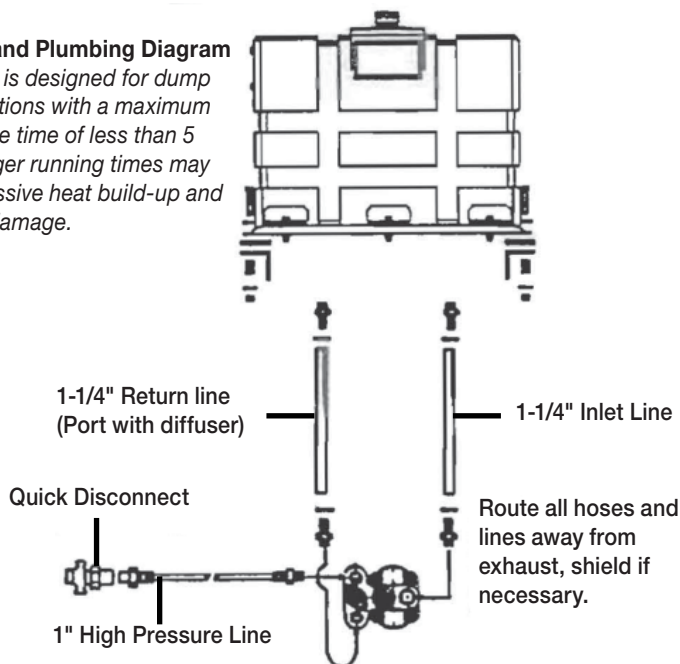


Installer to provide (8) 1/2 Grade 5 or higher cap screws and locknuts to attach angle bracket to the frames.

Fig. 1

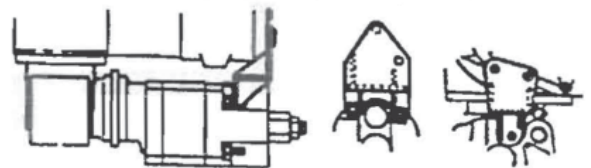
Installation and Plumbing Diagram

This reservoir is designed for dump trailer applications with a maximum hydraulic cycle time of less than 5 minutes. Longer running times may result in excessive heat build-up and subsequent damage.



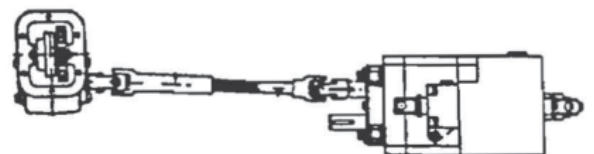
Direct Mount

This pump should be supported with a strap or bracket attached to the rear of the pump.



Remote Mount

PTO shaft and accessory shaft must be parallel to 1-1/2°. Drive line yokes must be in phase. Drive line angle not to exceed 6-1/2°.



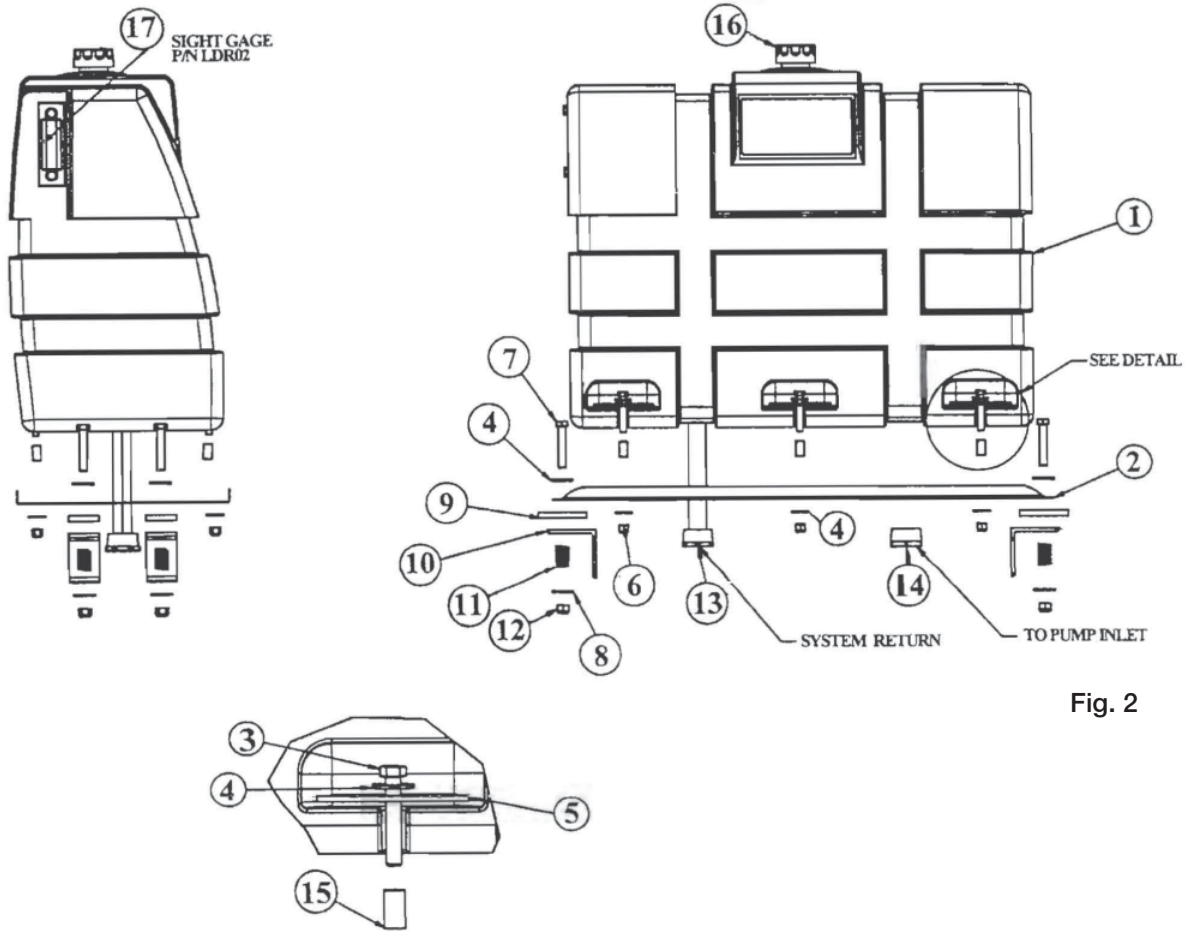


Fig. 2

Bill of Materials

ITEM	PART NO.	QTY.	DESCRIPTION
1	3000187	1	Reservoir Assembly (50 Gal) (two work ports w/Gaskets)
2	3000418	1	Saddle (50 Gal)
3	FCS050013300	6	Saddle Mounting Bolt
4	3000605	12	Saddle Mounting Washer
5	3000417	6	Hold Down Bracket
6	FNE050013053	6	Saddle Mounting Hex Nut
7	3000544	4	Spring Kit Bolt
8	3000144	8	Spring Kit Flat Washer
9	3000413	4	Spring Kit Rubber Cushion
10	3000414	4	Spring Kit Angle Bracket
11	3000415	4	Spring Kit Spring
12	FNE063011069	4	Spring Kit ESNA Nut
13	HD200125	1	Return Line Diffuser
14	RAB200125	1	Reducer Bushing
15	3000416	6	Saddle Mounting Spacer
16	TC0015	1	Breather Cap
17	LDR02	1	Sight Gauge

Procedure (Reservoir Assembly)

After frame mounting procedure has been completed, do the following:

1. Set reservoirs into mounting saddle. Align mounting notches with slots in saddle.
2. Install 1/2" bolt, flat washer, hold down plate, and bushing into recessed pocket area (6 places).
3. Install 1/2" lock nut and flat washer to the assembly bolt.
4. Install the reducer bushing and return line diffuser into the work ports. A thread sealant is recommended (do not use Teflon tape). The reducer bushing and diffuser can be fitted into either port for ease of installation but must be properly hooked up to the pump.