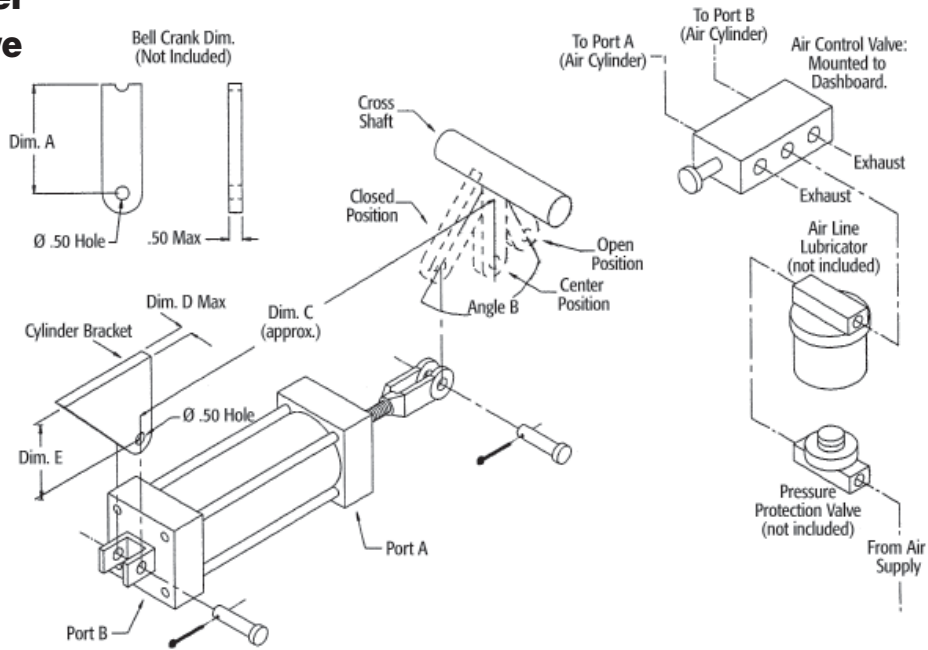
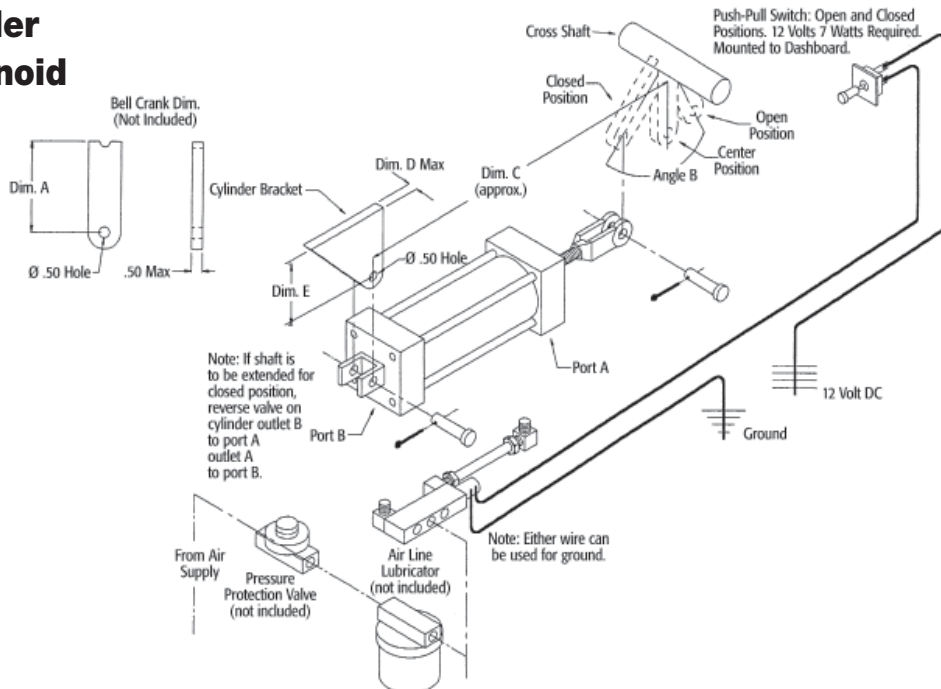


Installation Instructions

Tailgate Air Cylinder with Push Pull Valve



Tailgate Air Cylinder with Electric Solenoid



Bill of Materials

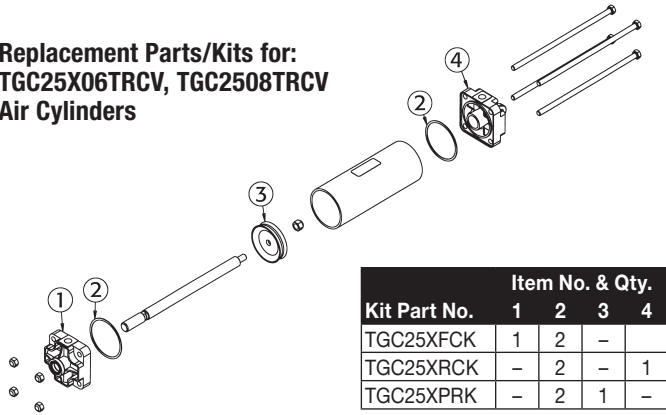
| PART NO. | AIR CYL. STROKE | DIM. A | ANGLE B | DIM. C | DIM. D | DIM. E |
|--------------|-----------------|--------|---------|--------|--------|--------|
| TGC25006V | 6" | 4.2" | 91° | 17.25" | .50" | 2.25" |
| TGC25008V | 8" | 5.6" | 91° | 20.25" | .50" | 2.25" |
| TGC32506V | 6" | 4.2" | 91° | 18.25" | .50" | 3.00" |
| TGC32508V | 8" | 5.6" | 91° | 21.25" | .50" | 3.00" |
| TGC25X06TRCV | 6" | 4.2" | 91° | 16.00" | .38" | 2.25" |
| TGC25X08TRCV | 8" | 5.6" | 91° | 18.00" | .38" | 2.25" |
| TGC35X06TRCV | 6" | 4.2" | 91° | 17.50" | .50" | 3.00" |
| TGC35X08TRCV | 8" | 5.6" | 91° | 19.50" | .50" | 3.00" |

This kit and/or cylinder is designed to allow remote cab opening and closing of the tailgate locking mechanism on a dump body.

Use the following steps to install the air cylinder to the underside of the dump body:

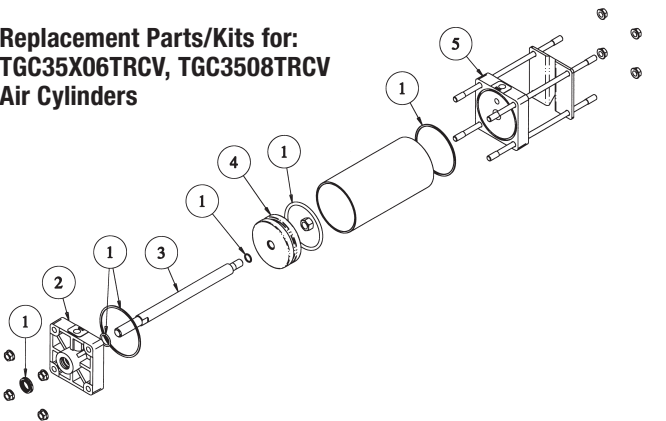
1. Construct a bell crank and cylinder bracket using A and E dimensions shown on the table. The bell crank length must cause the shaft to rotate to the "over center" position throughout the full travel of the air cylinder's stroke. This will mechanically lock the tailgate. The air pressure will not lock the tailgate. The "over center" position of the tailgate latches provides mechanical locking.
2. Align the bell crank and cylinder bracket with the centerline of the air cylinder. This prevents unnecessary torque and twisting of the air cylinder mounts.
3. Weld the bell crank to the cross shaft of the dump body as well as the cylinder bracket to the under side of the dump body. Use the C dimension listed in the table for proper spacing.
4. Connect the air cylinder to the bell crank and cylinder bracket with two clevis pins.
5. Route the air line tubing and switch wires around the hinging action at the rear of the dump body.
6. Mount the switch in a convenient location on the dashboard in the cab of the truck.
7. Buyers Products Co. recommends that the truck's air line system is equipped with an air line lubricator and a pressure protection valve to promote proper and safe operation as well as extending life for the air cylinder and control valve.

**Replacement Parts/Kits for:
TGC25X06TRCV, TGC2508TRCV
Air Cylinders**



| Kit Part No. | Item No. & Qty. | | | |
|--------------|-----------------|---|---|---|
| | 1 | 2 | 3 | 4 |
| TGC25XFCK | 1 | 2 | - | - |
| TGC25XRCK | - | 2 | - | 1 |
| TGC25XPRK | - | 2 | 1 | - |

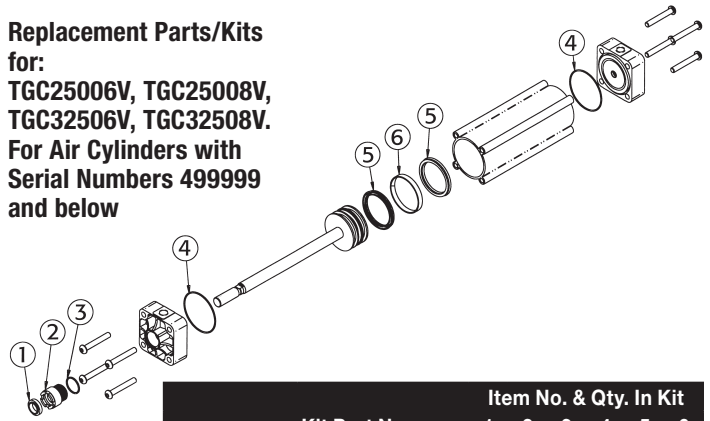
**Replacement Parts/Kits for:
TGC35X06TRCV, TGC3508TRCV
Air Cylinders**



| Cylinder Part No. | Replacement Kit Part Number | | | | |
|-------------------|-----------------------------|----------|-----------|---------|----------|
| | 1* | 2 | 3 | 4 | 5 |
| TGC35X06TRCV | TGC35XSK | TGC35XFC | TGC35X06R | TGC35XP | TGC35XRC |
| TGC35X08TRCV | TGC35XSK | TGC35XFC | TGC35X08R | TGC35XP | TGC35XRC |

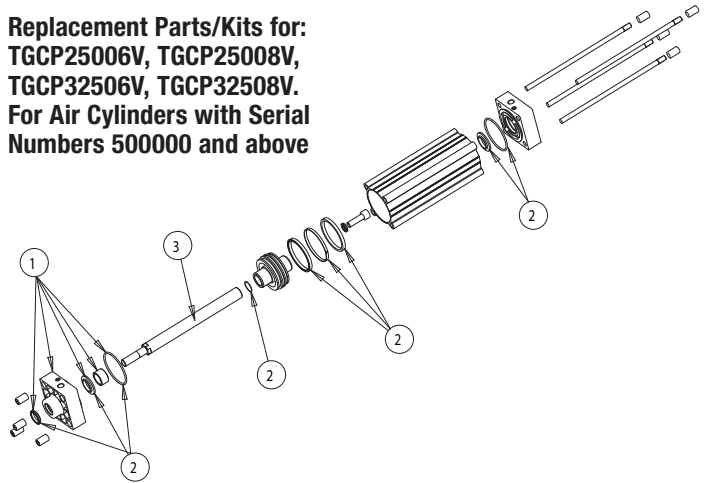
*Seal kit is needed for proper replacement of any other component

**Replacement Parts/Kits for:
TGC25006V, TGC25008V,
TGC32506V, TGC32508V.
For Air Cylinders with
Serial Numbers 499999
and below**



| Kit Part No. | Item No. & Qty. In Kit | | | | | | |
|-------------------------------|------------------------|---|---|---|---|---|---|
| | 1 | 2 | 3 | 4 | 5 | 6 | |
| Kits for 2 1/2" Air Cylinders | TGC25008CKRK | 1 | - | 1 | 2 | 2 | 1 |
| Kits for 3 1/4" Air Cylinders | TGC32508CKRK | 1 | 1 | 1 | - | - | - |
| Kits for 2 1/2" Air Cylinders | TGC32508CKRK | 1 | - | 1 | 2 | 2 | 1 |
| Kits for 3 1/4" Air Cylinders | TGC32508CKRK | 1 | 1 | 1 | - | - | - |

**Replacement Parts/Kits for:
TGCP25006V, TGCP25008V,
TGCP32506V, TGCP32508V.
For Air Cylinders with Serial
Numbers 500000 and above**



| Item No. | Part No. | Description |
|----------|----------|---------------------------------------|
| 1 | 3010060 | Front Cap With Seals and Tube Gaskets |
| 2 | 3010061 | Complete Seal and Gasket Kit |
| 3 | 3010090 | Replacement Cylinder Rod |
| 1 | 3010063 | Front Cap With Seals and Tube Gaskets |
| 2 | 3010064 | Complete Seal and Gasket Kit |
| 3 | 3010099 | Replacement Cylinder Rod |
| 1 | 3010060 | Front Cap With Seals and Tube Gaskets |
| 2 | 3010061 | Complete Seal and Gasket Kit |
| 3 | 3009604 | Replacement Cylinder Rod |
| 1 | 3010063 | Front Cap With Seals and Tube Gaskets |
| 2 | 3010064 | Complete Seal And Gasket Kit |
| 3 | 3009380 | Replacement Cylinder Rod |