

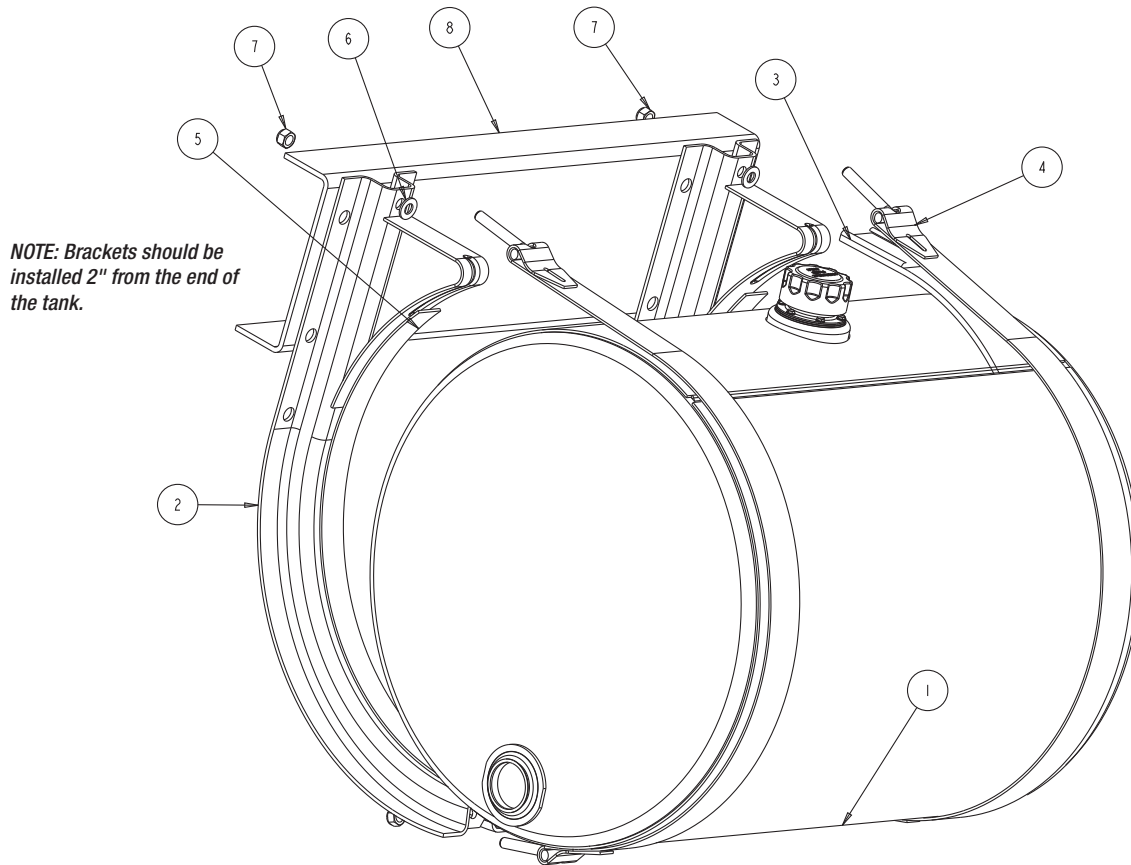
Installation Instructions

SMC35A, SMC50A, & SMC70A Hydraulic Reservoir Kit

1. Align the Flat part of the bracket flush to the truck frame. Use a level gauge to ensure the edges are vertical to the frame structure. Holes must be drilled according to the height adjust to the installer convenience requirement. Use grade 5 or grade 8 fasteners to provide stronger secured installation. Tightened the fasteners to 25ft-lbs. Installation bolts and nuts are not provided in this kit.

2. Install plumbing with fitting connections. These connections must be supported properly into the same moving plane as the tank to prevent plumbing and fitting from creating a metal fatigue fracture outside of port weld.

Hose support mounting must be used or warranty is void.



Bill of Materials

ITEM	PART NO.	QTY.	DESCRIPTION
1	-	1	Reservoir, Only, Aluminum
2	SMC007BK1	2	Bracket, SMC50A/70A/90A
3	SMD020RI	1	Insulator, Rubber Strap
4	SMC007BK2SS	2	Strap, Assembly, SST
5	3023668	2	Gasket, 1/8 x 1.5 x 34 PSA Cut
6	FWF050106010	4	Washer, Flat 1/2" SAE, Zinc
7	FNE050020056	4	Nut, Hex, Nylock 1/2-20, Zinc
8	N/A		Truck Frame Rail

WARRANTY

Buyers Products Co. warrants all truck/trailer hardware manufactured or distributed by it, to be free from defects in material and workmanship for a period of one year from date of shipment. Parts must be properly installed and used under normal conditions. Any product which has been altered, including modification, misuse, accident or lack of maintenance will not be considered under warranty. Normal wear is excluded. The sole responsibility of Buyers Products Co. under this warranty is limited to repairing or replacing any part or parts which are returned, prepaid, and are found to be defective by Buyers Products Co. Authorization from Buyers Products Co. must be obtained before returning any part. No charges for transportation or labor performed on Buyers' products will be allowed under this warranty.