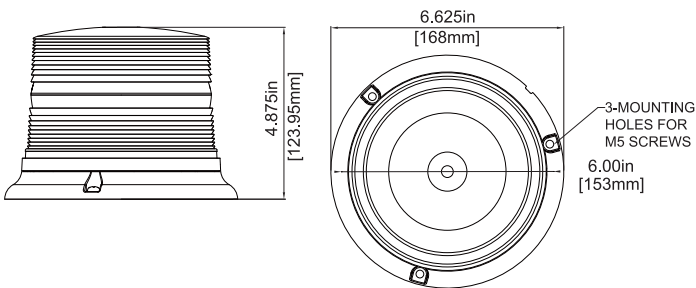


Installation Instructions

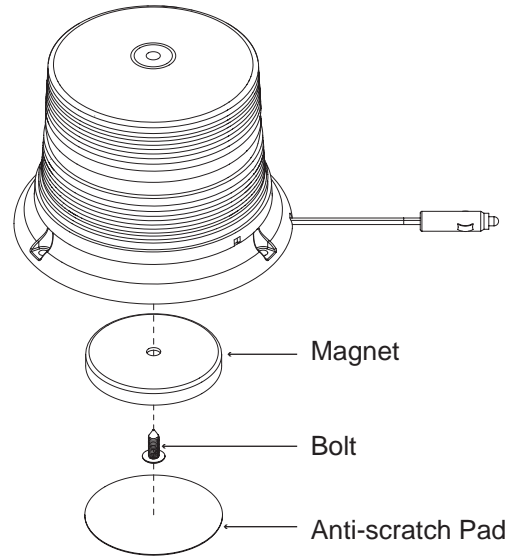
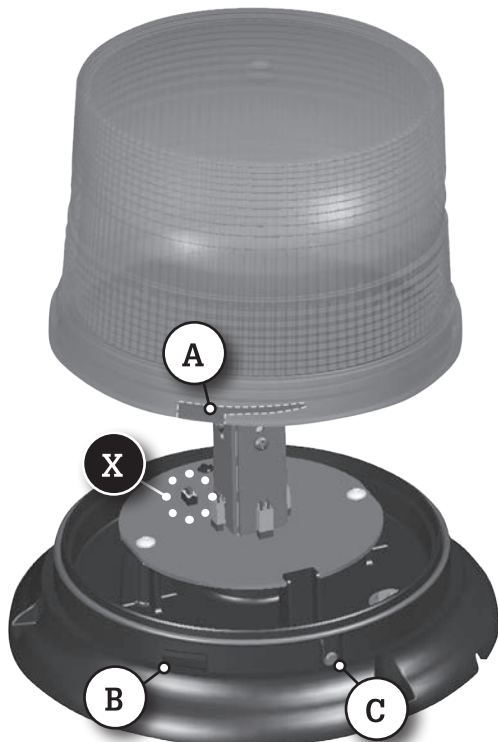
SL675ALP LED Beacon Temporary/Magnetic Mount

Overall Dimensions



⚠ WARNING

It is not recommended to use magnetically mounted warning devices on the exterior of vehicles in motion. Usage is at the sole risk and responsibility of the user.



⚠ WARNING

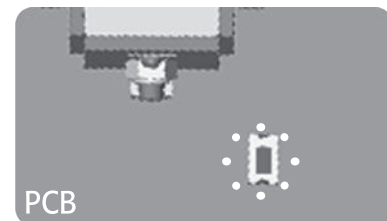
Do not look directly into LEDs while in operation; this may cause momentary blindness and/or eye damage.

1. Open Beacon

Depress button (C) while twisting dome counter-clockwise, then lift dome.

2. Change Pattern

Momentarily push red button (X) to change to next flash pattern. (see flash pattern chart, reverse)



3. Close Beacon

Align dome indent (A) with base keying feature (B), then twist clockwise.

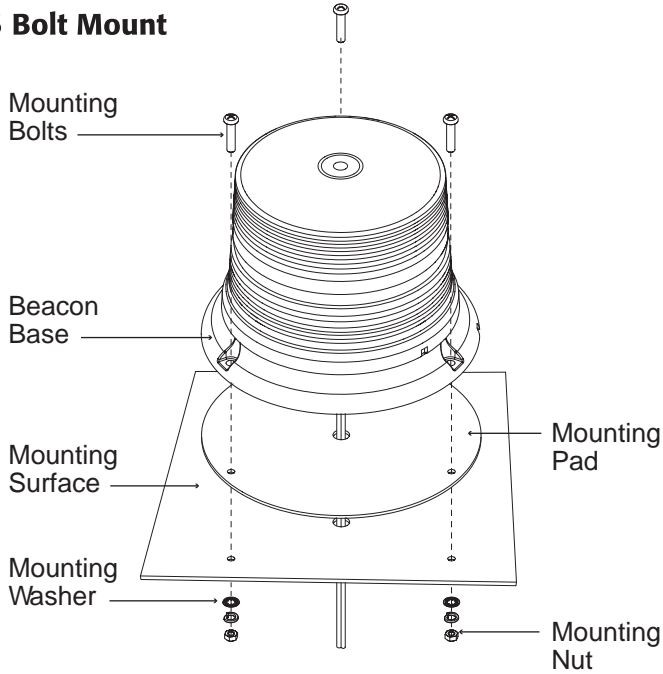
SL685ALP LED Beacon

Permanent Mount

WARNING

Do not look directly into LEDs while in operation; this may cause momentary blindness and/or eye damage.

3 Bolt Mount



FP#	Flash Patterns
1	Double (2Hz)
2	Single (2Hz)
3	Quad (2Hz)
4	Single
5	Double
6	Quad
7	Quint
8	Mega
9	Ultra
10	Single-Quad
11	Single H/L
12	Steady
13	Single Rotator (150FPM)
14	Double Rotator (94FPM)
15	Double Rotator x 5 (Quint x 5)

Note: This unit may not be factory set at FP#1.

RED: To +VDC

BLACK: To Chassis Ground (-)

YELLOW: Flash Patterns & Synchronization

Connect YELLOW wires of all units together for synchronization

*All units must be set at the same pattern

Momentarily apply +VDC to YELLOW wire:

-once for next pattern

-quickly 3 times for reset

NOTE: Cover all unused, bare wires.

1" Pipe Mount

