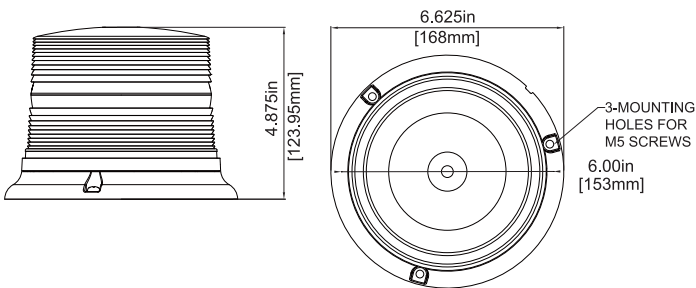


# Installation Instructions

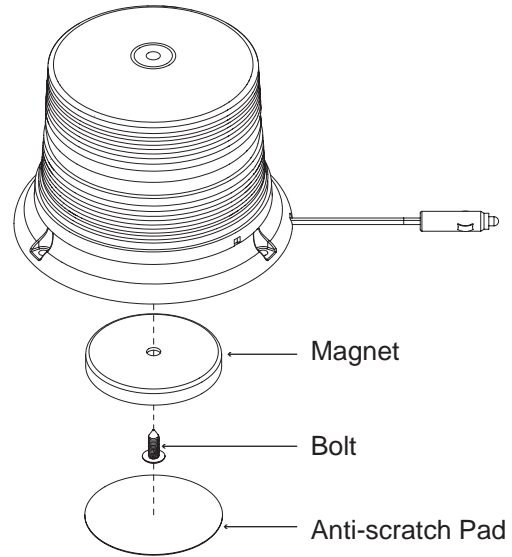
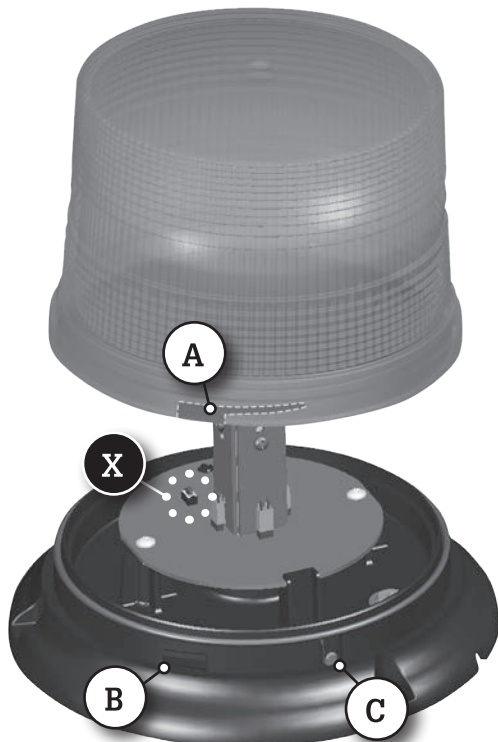
## SL675ALP LED Beacon Temporary/Magnetic Mount

### Overall Dimensions



### **WARNING**

It is not recommended to use magnetically mounted warning devices on the exterior of vehicles in motion. Usage is at the sole risk and responsibility of the user.



### **WARNING**

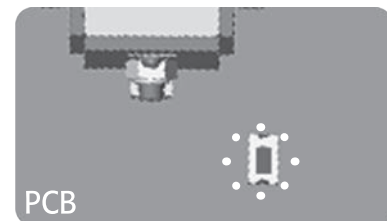
Do not look directly into LEDs while in operation; this may cause momentary blindness and/or eye damage.

### 1. Open Beacon

Depress button (C) while twisting dome counter-clockwise, then lift dome.

### 2. Change Pattern

Momentarily push red button (X) to change to next flash pattern. (see flash pattern chart, reverse)



### 3. Close Beacon

Align dome indent (A) with base keying feature (B), then twist clockwise.

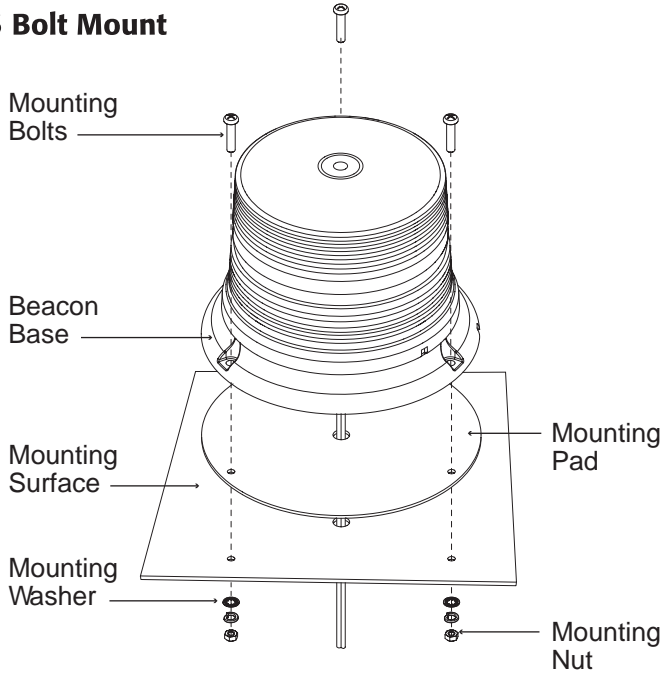
# SL685ALP LED Beacon

## Permanent Mount

**⚠ WARNING**

**Do not look directly into LEDs while in operation; this may cause momentary blindness and/or eye damage.**

### 3 Bolt Mount



FP#	Flash Patterns
1	Double (2Hz)
2	Single (2Hz)
3	Quad (2Hz)
4	Single
5	Double
6	Quad
7	Quint
8	Mega
9	Ultra
10	Single-Quad
11	Single H/L
12	Steady
13	Single Rotator (150FPM)
14	Double Rotator (94FPM)
15	Double Rotator x 5 (Quint x 5)

**Note:** This unit may not be factory set at FP#1.

RED:	To +VDC
BLACK:	To Chassis Ground (-)
YELLOW:	Flash Patterns & Synchronization Connect YELLOW wires of all units together for synchronization *All units must be set at the same pattern Momentarily apply +VDC to YELLOW wire: -once for next pattern -quickly 3 times for reset
NOTE:	Cover all unused, bare wires.

### 1" Pipe Mount

