

Installation Instructions

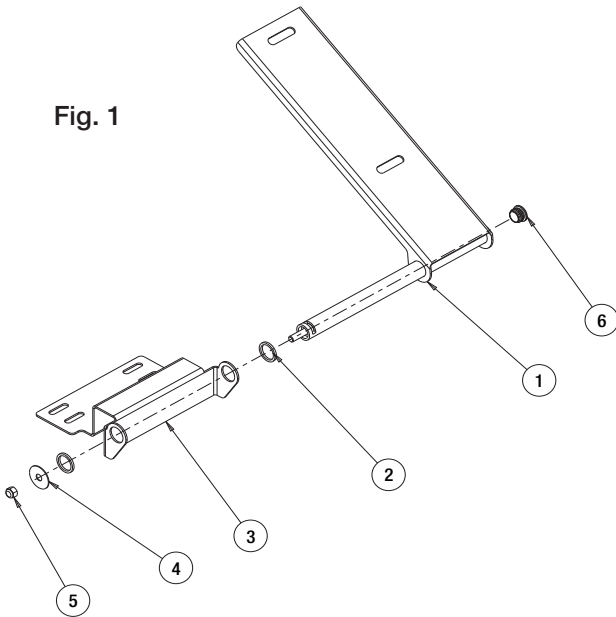
3034577 Spreader Lids

for PRO2000, SHPE2000 (2018 and newer)

Use this manual to install lids on PRO2000 and SHPE2000 (2018 and newer).

1. Assembly hinge #3036950 to bracket #3036948 as shown below. Tighten nut to achieve snug fit, hinge should rotate in bracket with some resistance. Press plug #3004126 into hinge tube as shown. (Fig. 1)

Fig. 1

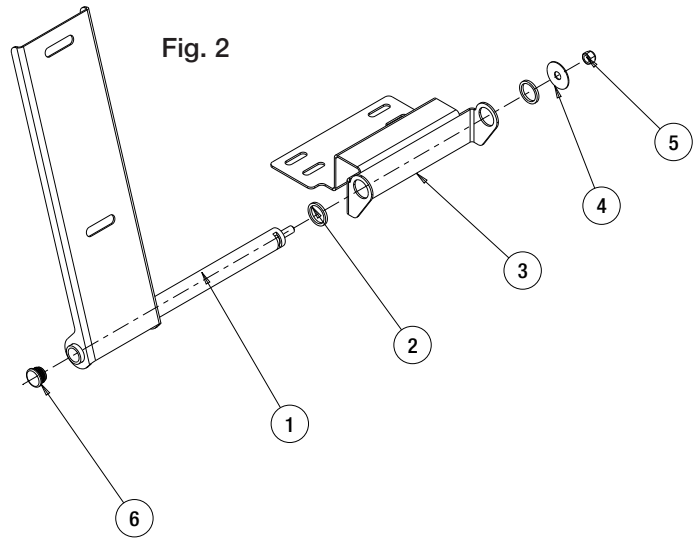


ITEM	PART NO.	QTY.	DESCRIPTION
1	3036950	1	HINGE, LID
2	3037498	2	WASHER-NYLON 1.00 X 1.25
3	3036948	1	BRACKET, LIDS
4	3007115	1	WASHER, FLAT 3/8 X 1.5 X.048 SST
5	FNE038016044SS	1	NUT, NYLOCK 3/8-16 X 7/16 SST
6	3004126	1	PLUG, PLASTIC, 1"OD 10-14GA TUBING, BLACK

2. Assembly hinge #3037494 to bracket #3036948 as shown below. Tighten nut to achieve snug fit, hinge should rotate in bracket with some resistance. Press plug #3004126 into hinge tube as shown. (Fig. 2)



Fig. 2



ITEM	PART NO.	QTY.	DESCRIPTION
1	3037494	1	HINGE, LID
2	3037498	2	WASHER-NYLON 1.00 X 1.25
3	3036948	1	BRACKET, LIDS
4	3007115	1	WASHER, FLAT 3/8 X 1.5 X.048 SST
5	FNE038016044SS	1	NUT, NYLOCK 3/8-16 X 7/16 SST
6	3004126	1	PLUG, PLASTIC, 1"OD 10-14GA TUBING, BLACK

3. Assembly brackets to hoppers as shown below using holes in cross members. Older PRO2000 spreaders require drilling 3/8" clearance holes in cross members. Apply brackets on cross members and use them as templates to mark holes positions. Do not tighten nuts completely at this time. You may need to adjust brackets positions later. (Fig. 3 and Fig. 4)

PRO2000 Model

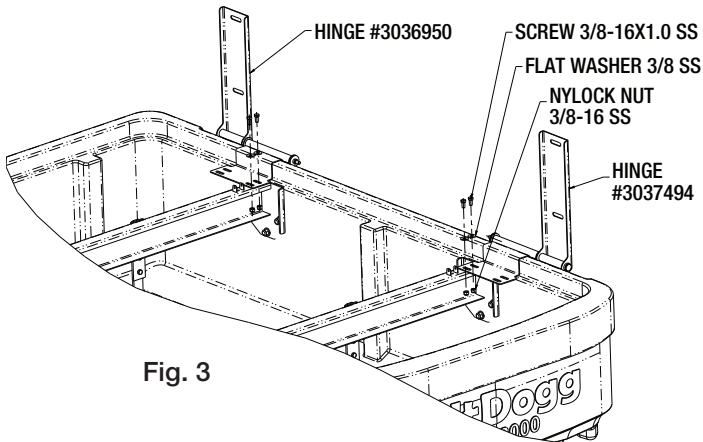


Fig. 3

Passenger side installation is shown. Assembly driver side as mirror view.

SHPE2000 Model

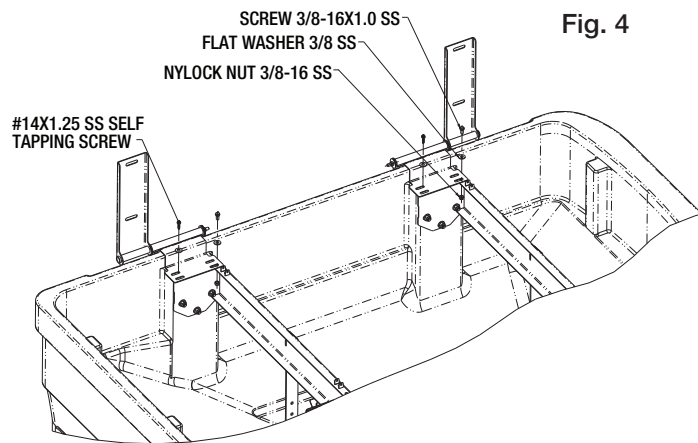


Fig. 4

Passenger side installation is shown. Assembly driver side as mirror view.

4. Properly select driver and passenger side lids and attach them to hinges as shown for each spreader model below. Do not tighten screws completely at this time. (Fig. 5 and Fig. 6)

PRO2000 Model

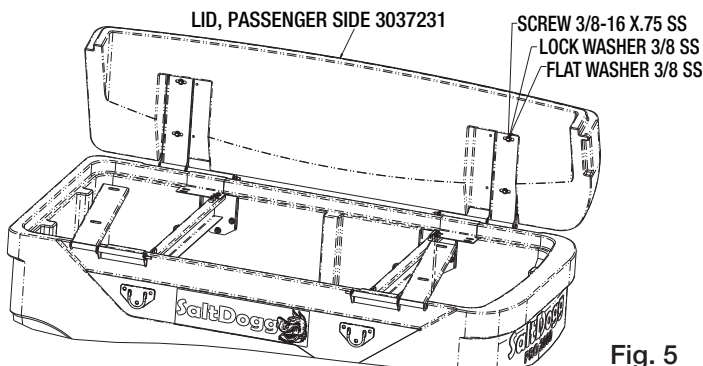


Fig. 5

SHPE2000 Model

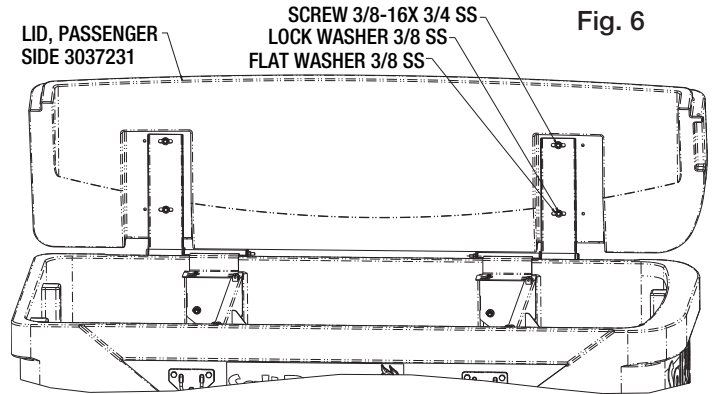
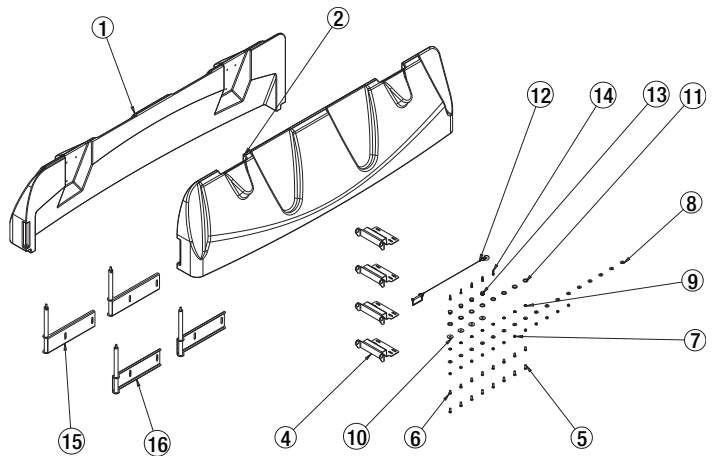


Fig. 6

5. Close lids, passenger lid first. Align lids using lock pin as shown below. Open driver side lid, tighten all fasteners completely, keeping lid and bracket position. Then open passenger side lid, tighten all fasteners completely, keeping lid and bracket position. Tighten or loose hinge nuts to increase or decrease lids opening/closing resistance.

6. Close lids and secure them using lock pin. Attach washer located on opposite end of lock pin lanyard to hopper. Make sure to leave enough lanyard slack to attach and remove lock pin freely.

Bills of Material



ITEM	PART NO.	QTY.	DESCRIPTION
1	3037231	1	LID, PS SIDE
2	3037232	1	LID, DR SIDE
3	3037501	1	HARDWARE BAG, LIDS PRO2000
4	3036948	4	BRACKET, LIDS
5	FCS038016100SS	8	SCREW, HHC 3/8-16 X 1 304 SST
6	FCS038016075SS	8	SCREW, HHC-3/8-16 X 3/4 SST
7	FNE038016044SS	12	NUT, NYLOCK 3/8-16 X 7/16 SST
8	FWF038100007SS	17	WASHER, FLAT 3/8 USS SST
9	FWL038069009SS	8	WASHER, LOCK RHS-3/8 SST
10	3007115	4	WASHER, FLAT 3/8 X 1.5 X.048 SST
11	3037498	8	WASHER-NYLON 1.00 X 1.25
12	3037504	1	LOCK PIN ASSEMBLY
13	3004126	4	PLUG, PLASTIC, 1"OD 10-14GA TUBING, BLACK
14	3015925	5	SCREW #14X1.25 SST
15	3036950	2	HINGE, LID
16	3037494	2	HINGE, LID