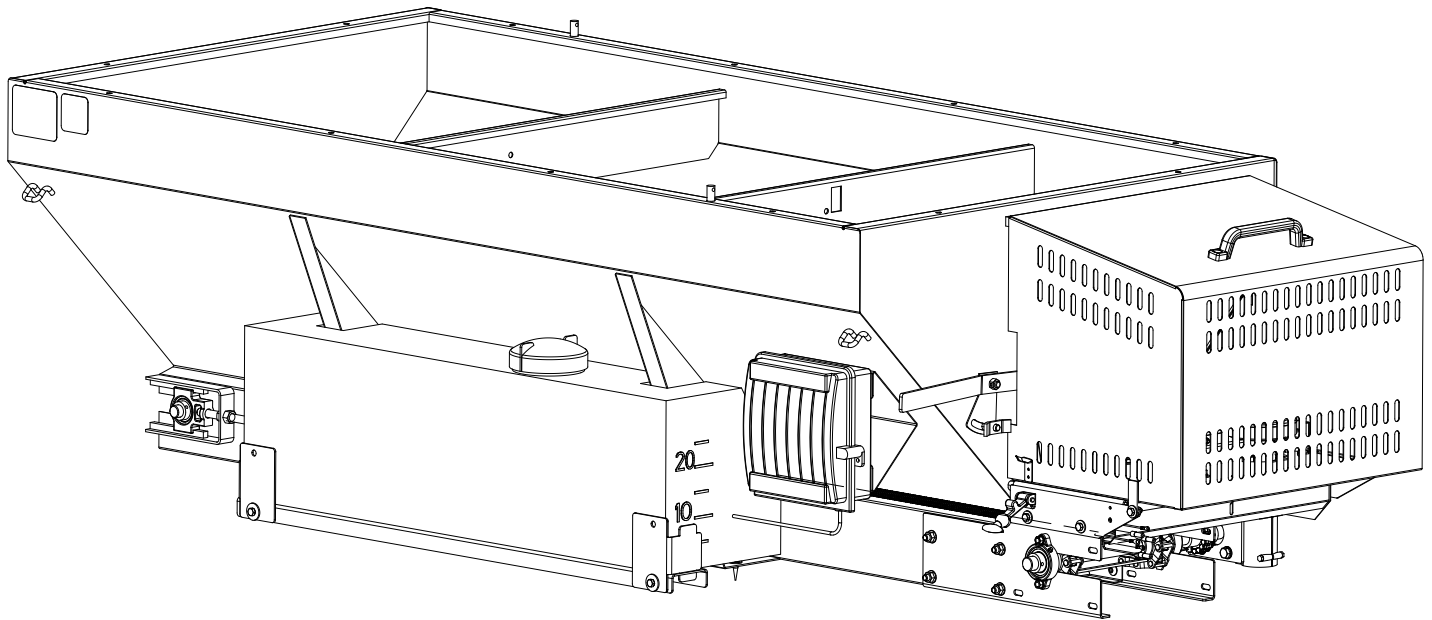


Installation & Operator's Manual

LS8 Liquid Spray System, Dual 30 gal. Tanks for SCH Style Spreaders



Installation Instructions

- 1.** Position and weld Enclosure Bracket (#3028485) and Reservoir Supports (#3014077) to spreader as shown on Fig.1.
- 2.** Position 30 gal. Tanks (#3014062) on supports as show in Fig.2
- 3.** Attach Enclosure Assembly (#LS102) to Enclosure Bracket using provided hardware as show in Fig.2.
- 4.** Secure Tanks on Supports using the locators (#3014080) and provided hardware as shown in Fig.3.
- 5.** Plumb: reservoirs, ball valves, filters, pump enclosure and spray nozzle according to plumbing schematic using supplied fittings, hose and hose clamps. Do not use Teflon tape on threads. Use liquid thread sealant. (see fig.4, 5, 6 &7).

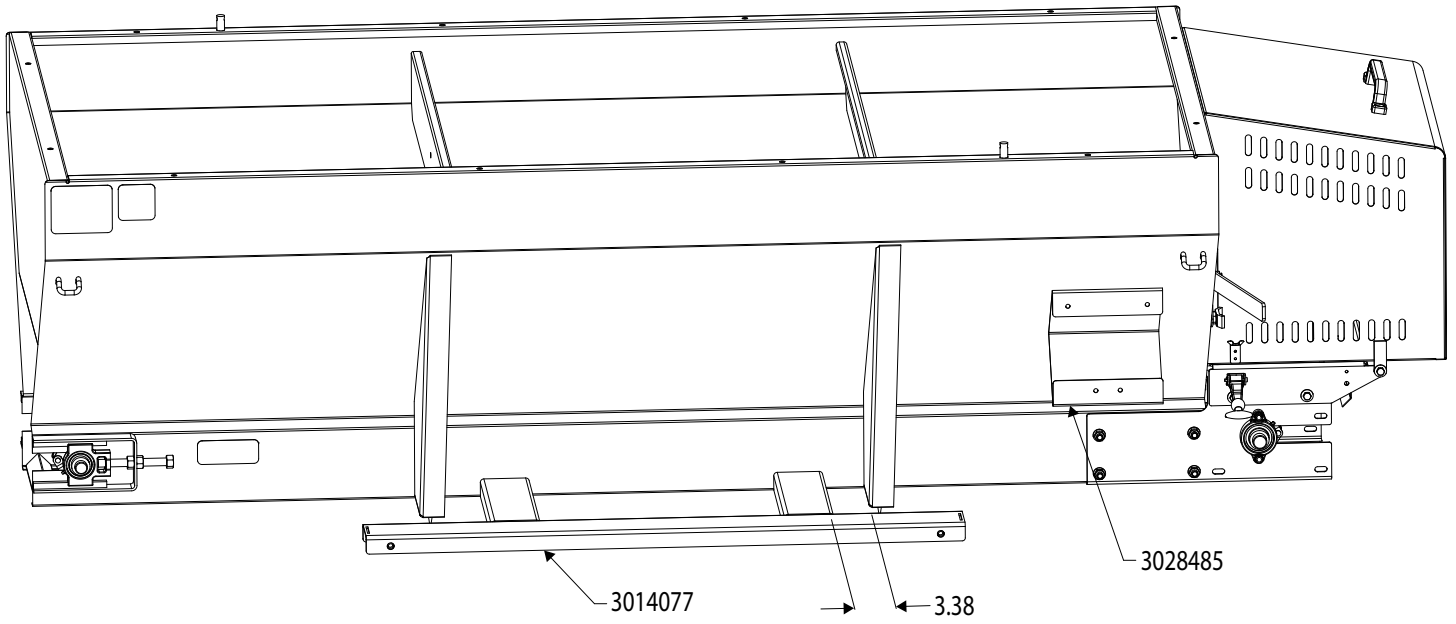


Fig. 1

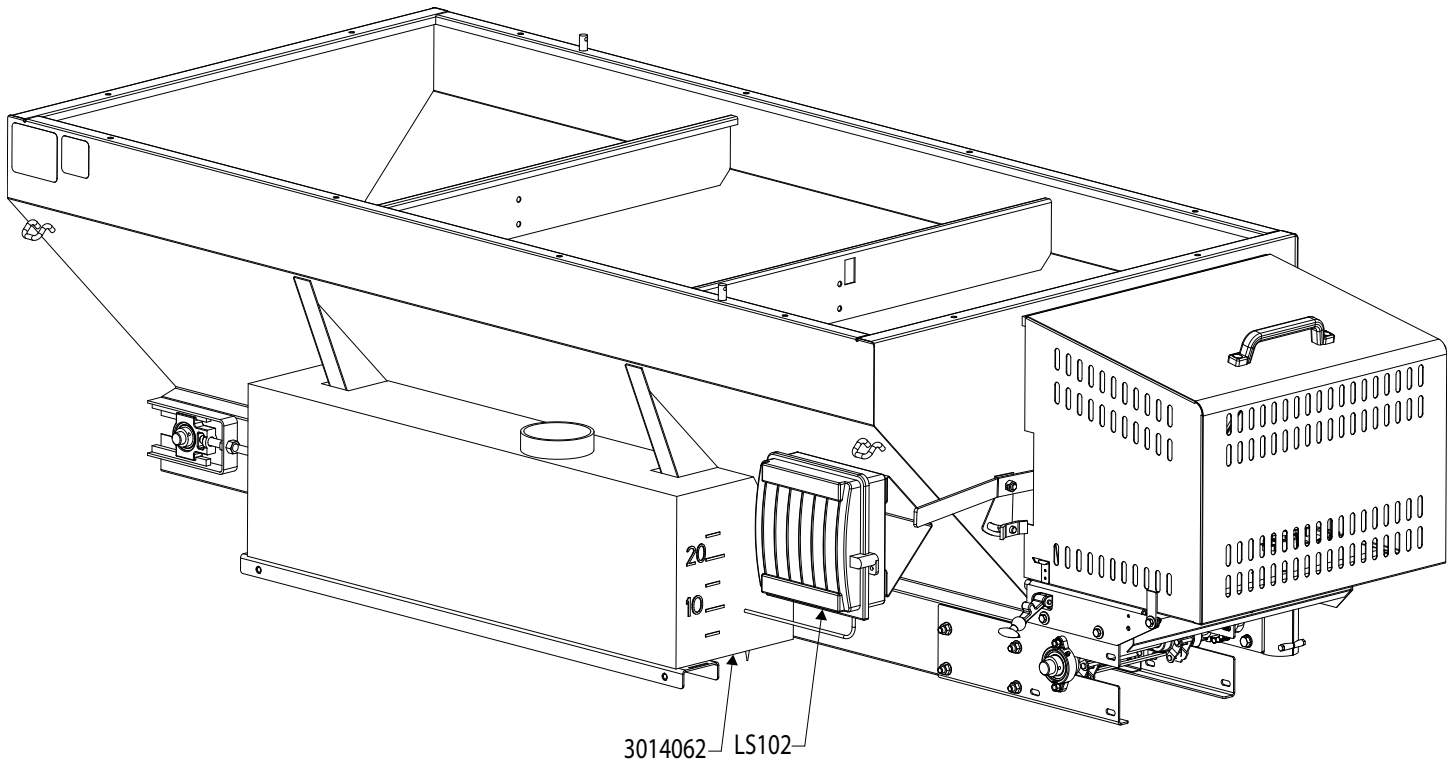


Fig. 2

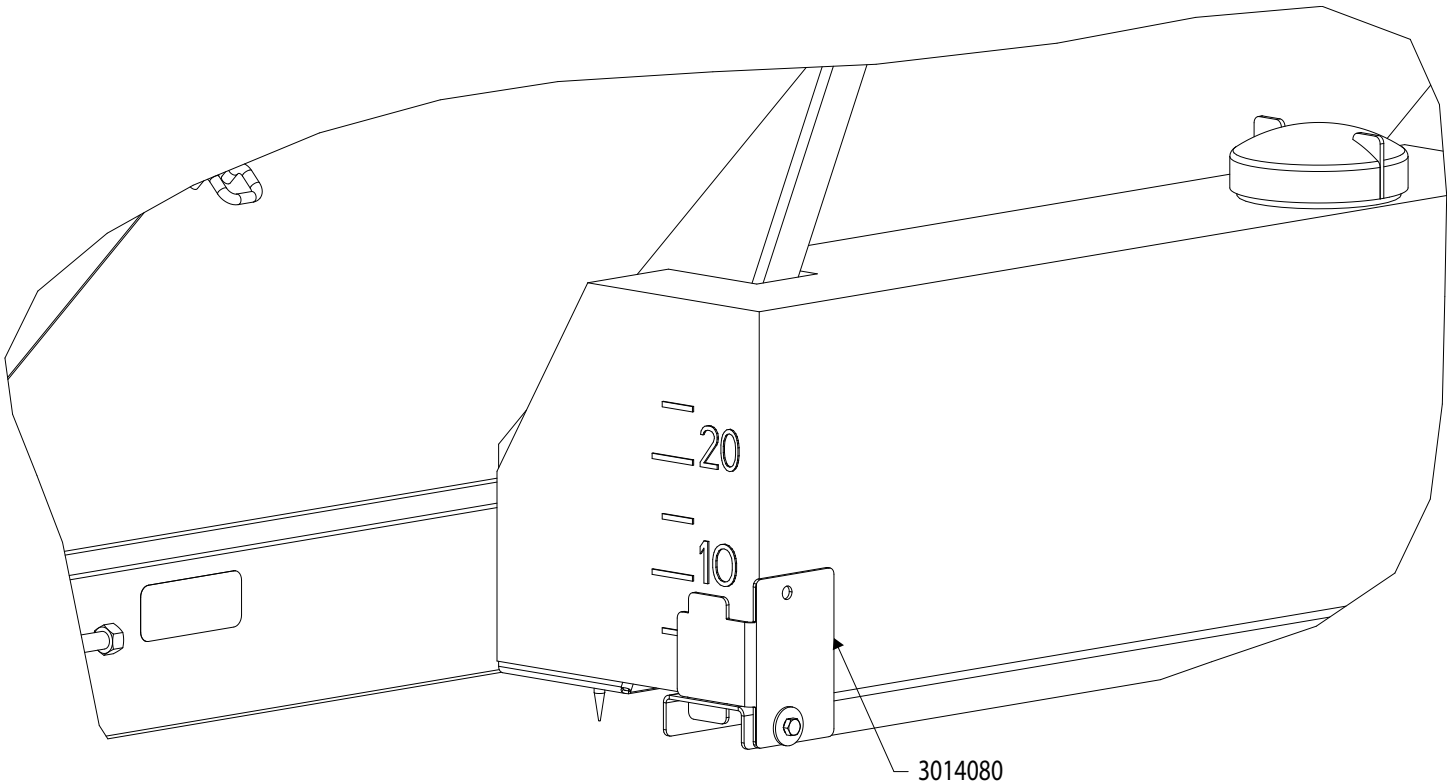


Fig. 3

Cab Controller Installation

Instructions (Fig. 4)

1. Install cab controller (#WSE1) in cab for convenient driver operation. Mounting bracket and fasteners included.
2. Route 8' wire harness (#WSE24) under dash from controller (#WSE1) to truck's fuse panel.
3. Ground "black" wire from controller to truck frame or truck's battery (not dash).
4. Attach "green" wire in 8' wire harness (#WSE24) to a fused and keyed 15 Amp hot wire circuit.
5. Connect main power "white" wire in 8' wire harness (#WSE24) to fuse box that is "hot" full time or to battery "positive".
6. Route the 25' wire harness (#WSE25) from the rear of the spreader to the cab. Plug connector on controller (#WSE1) to the connector on pump harness (#WSE25).



Fig. 4 WSE1 Cab Controller front view

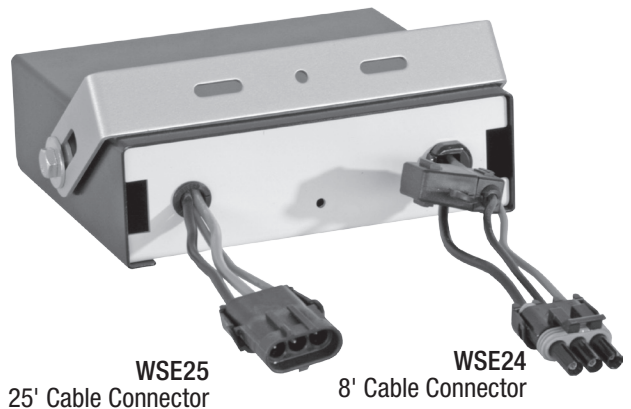


Fig. 4 WSE1 Cab Controller back view

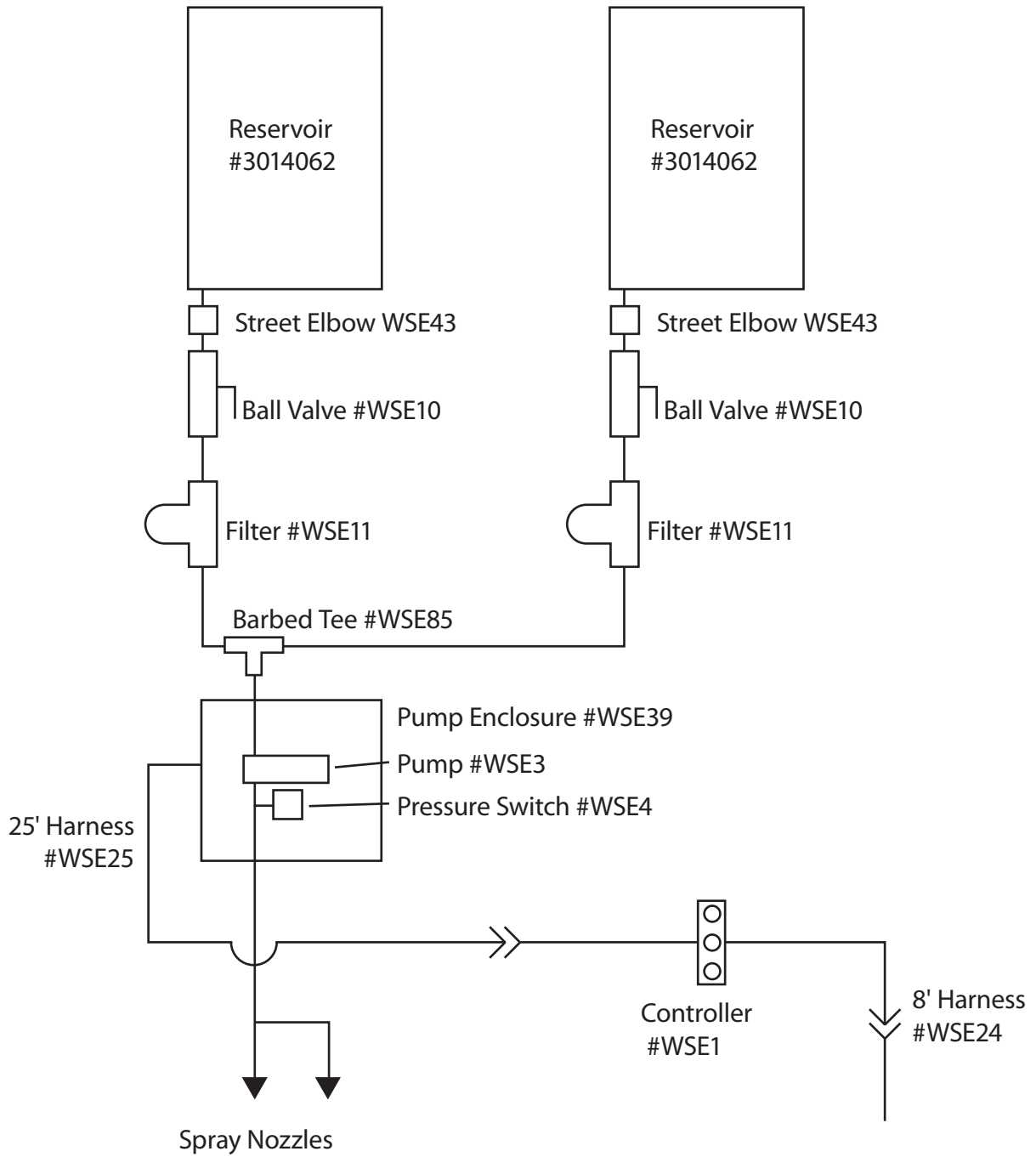


Fig. 5 Plumbing Dia.

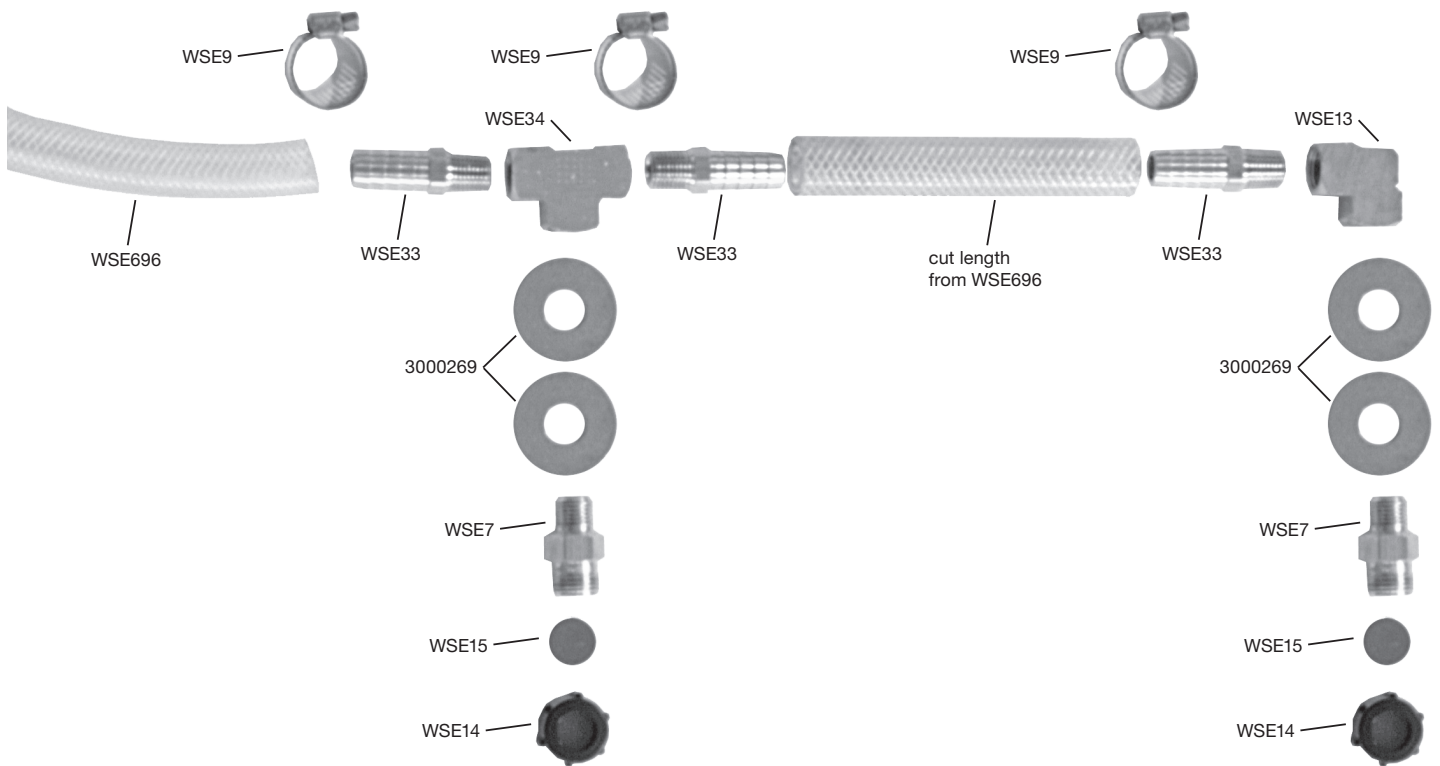


Fig. 6 Nozzle Assembly

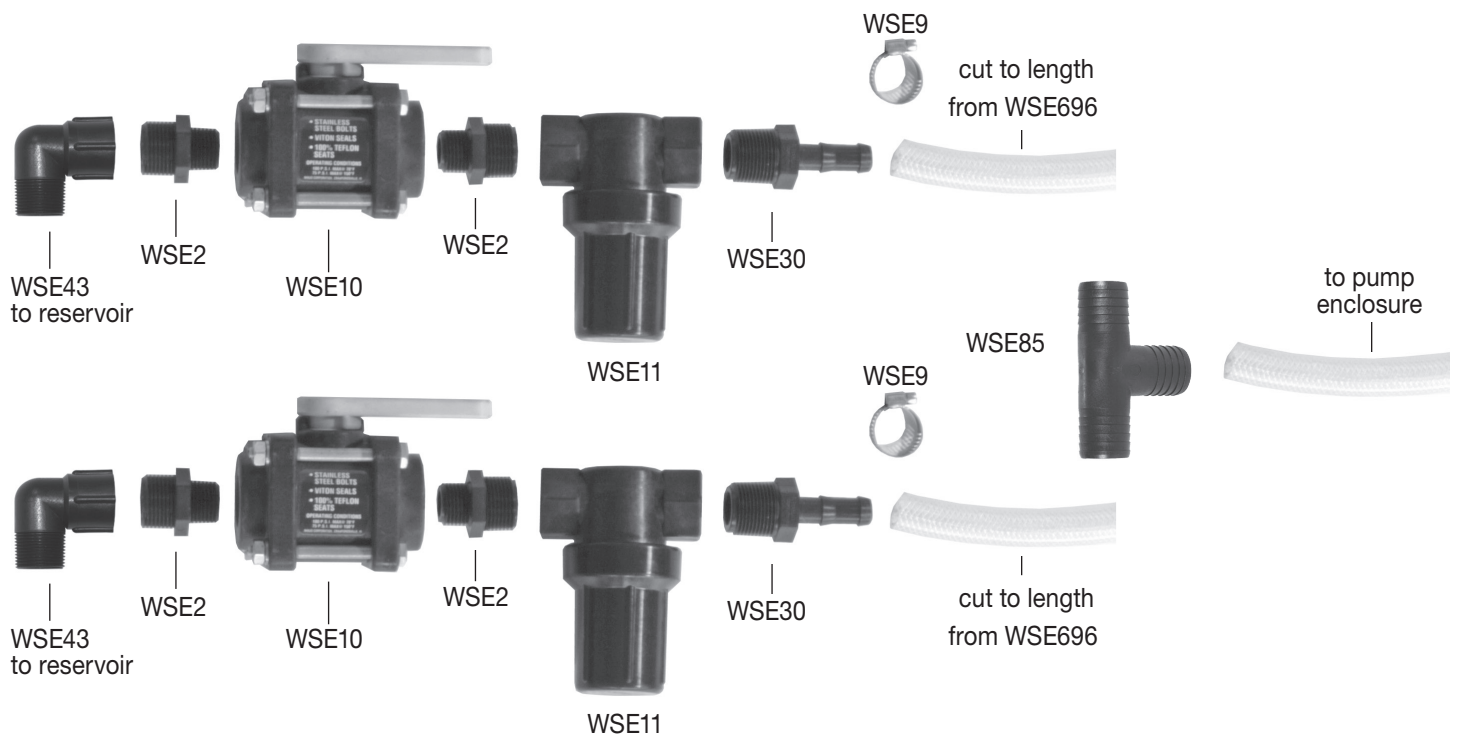


Fig. 7 Filter/Valve Assembly

Liquid Spray System Operating Instructions

1. Read all instructions before operating. Always wear hand, eye, and skin protection when working with de-icing chemicals. Make sure everyone is standing clear of liquid spray system before operating.
2. Inspect all plumbing for leaks.
3. Open ball valve (#WSE10) at the reservoir.
4. Make sure reservoir has adequate supply of clean de-icing liquid. Do not operate pump without liquid.
5. Before turning the cab controller on, turn the black speed control knob counter clockwise until it stops to set the pump at the slowest speed.
6. To energize system, turn red power button to illuminate LCD screen "on" position.
7. Increase pump speed to desired liquid spray application rate by turning black knob clockwise.
8. If the red low pressure warning light/alarm comes on, the reservoir is empty or the pump is off. Do not operate pump without liquid. *Note: Low pressure light and alarm will sound each time system is started. This is normal and occurs until sufficient pressure is achieved to open pressure switch (turning off light/buzzer).*
9. Close ball valve (#WSE10) at the reservoir when not in use.

Liquid Spray System Trouble Shooting Guide

Motor & Pump Operate Erratically: 1,2,3,4,5 (Possible Problem)
 Motor runs – Pump does not: 1,2,3,4,5,6,7 (Possible Problem)
 Motor & Pump fail to operate: 8,9,10,11,12 (Possible Problem)

POSSIBLE PROBLEM:

1. Little or no de-icer in tank/s
2. Clogged filter
3. Clogged Nozzles
4. Damaged suction hose
5. Ruptured pump diaphragm
6. Ball valve is closed at tank/s
7. Frozen parts
8. Bad electrical connection
9. Motor failure- burned/seized
10. Cab controller on-off switch not turned on
11. Bad cab controller on-off switch
12. Blown fuse in cab controller or fuse panel

REPAIR:

- Fill
- Clean
- Clean
- Replace
- Replace
- Open valve
- Thaw out
- Inspect
- Replace
- Turn on
- Replace
- Inspect/replace

CAUTION

Always wear hand, eye, and skin protection when working with de-icing chemicals. Use extreme care!

Liquid Spray System Routine Maintenance

RESERVOIR:

- Inspect fittings for leaks from cracks or looseness
- Inspect filler/breather for cracks. Depress breather to check for adequate spring pressure or binding

PLUMBING:

- Inspect hoses/fittings/ball valve for leaks, cracks, looseness, chafing, binding etc.

FILTER:

- Remove and clean filter element every 8 to 10 hours or as needed depending on how clean de-icing liquid is

PUMP-PRESSURE SWITCH & ENCLOSURE:

- Inspect wiring for wear and loose or corroded connections
- Inspect door and gasket to prevent corrosion

NOZZLES:

- Inspect operation for even spray pattern. Remove and clean as needed

CAB CONTROLLER:

- Inspect lights, switch, and flow control knob
- Inspect wire harness and connections for wear and loose or corroded connections

CLEANING:

- Wash with hot water and soap after each use

STORAGE:

- Store inside to prevent freezing
- Drain liquid de-icer from tank/s and hoses when not in use for more than two days or during extremely low temperatures
- RV anti-freeze or windshield washer fluid should be run through the system for several minutes to flush de-icer from the system to prevent component freezing especially for end of season storage

CAUTION

Always wear hand, eye, and skin protection when working with de-icing chemicals. Use extreme care!

Bill of Materials

PART NO.	QTY.	DESCRIPTION
3014062	2	Tank Poly 30 Gal Wet System w/Cap
3014077	2	Support Reservoir 30 Gal
LS102	1	Enclosure Asm. Wetting System
3014080	4	Locator, Reservoir
3028485	1	Bracket, Enclosure
-	2	Washer, Flat 3/8 USS SST
-	2	Screw, HHC 3/8-16x1 304 SST
-	4	Washer, Flat 1/2 USS SST
3012164	1	Plug, Square Head, 3/4 NPT
WSE15	2	Rubber Nozzle
-	3	Screw, HHC 5/16-18 x 1.5 SST
-	6	Washer, 5/16 SAE SST
-	3	Nut, Nylock 5/16-18 SS
WSE2	4	Nipple, Hex 3/4 x 1/2 Poly
149650501	4	Strap Assy., Ratchet 2" X 5'

PART NO.	QTY.	DESCRIPTION
WSE10	2	Valve Ball, 1/2 NPT, Polypropylene
WSE11	2	Filter, 3/4 NPT, 6 GPM, 300 Micron, Poly
WSE30	2	Barb, Hose 3/4 NPT x 1/2 HB
WSE9	4	Clamp, Hose
WSE696	3	Hose Poly 1/2 x 96"
WSE33	3	Barb, Hose 1/4 IN NPT x 1/2 IN Barb, Brass
WSE13	1	Elbow, Brass 1/4 IN NPT x 1/4 NPTF
WSE7	2	Nozzle Body, Brass
WSE14	2	Nozzle Cap
WSE1	1	Controller, Wet Spray System
WSE24	1	Harness, Wire w/Connector 8 Ft
WSE85	1	Tee, 1/2" x 1/2" x 1/2" barb
WSE43	2	Elbow Street, 3/4 NPT, Polypropylene
3009750	1	Decal, Liquid System
WSE34	1	Tee, Female Branch, 1/4 NPT x 1/4 NPT x 1/4 NPT, Brass

SAFETY ALERT SYMBOL



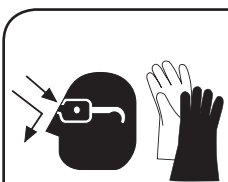
This Symbol Means **ATTENTION!**
 Please Read & Understand Completely
 Before Operating!

EQUIPMENT INSTALLERS & OPERATORS:



TURN OFF ALL POWER BEFORE PERFORMING ANY SERVICE OPERATIONS.

- Follow Recommended Operating Procedure.
- Keep Equipment In Safe Operating Condition At All Times.
- Recognize & Avoid Hazards While Operating, Servicing and Maintaining Equipment.



CAUTION

**RESERVOIR & COMPONENTS
 MAY CONTAIN HAZARDOUS
 MATERIAL.
 HANDLE WITH CARE.**