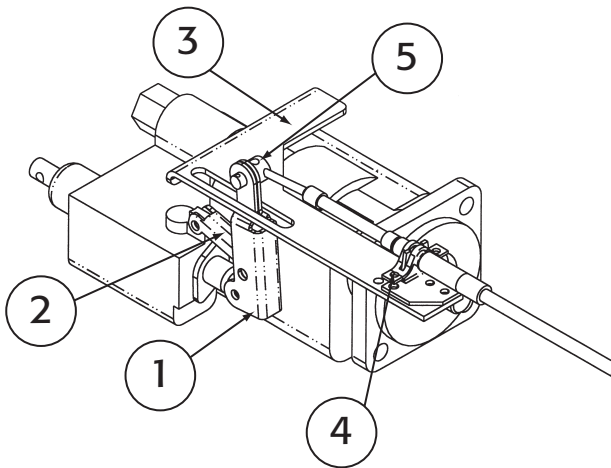


Installation Instructions

BPUGDM Connection Kit

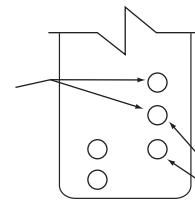
1. Connect linkage arm to pump spool.
2. Connect pivot arms to pump and linkage arm.
3. Connect bracket to pump using existing bolts and washers. Be sure to re-torque bolts on pump to 200 ft./lbs. (do not estimate a torque wrench must be used).
4. Connect cable using clamp to bracket as shown.
5. Connect jam nut and pivot to cable rod end. Then connect assemble to linkage arm. Adjust pivot for proper operation and secure jam nut.

BPUGDMCCW



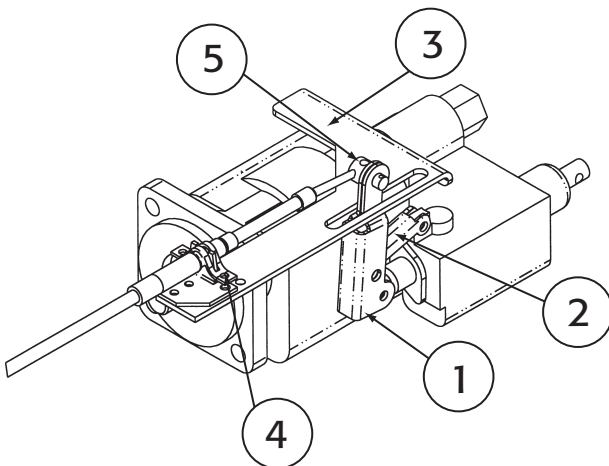
View of Bracket Mounting Holes

When using Buyers 5200 cables 1/4"-28 mount clamp to the front two holes.



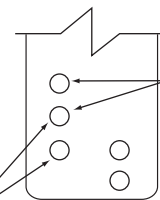
When using Buyers 5200 cables 5/16"-24 mount clamp to the front two holes.

BPUGDMCW



View of Bracket Mounting Holes

When using Buyers 5200 cables 1/4"-28 mount clamp to the front two holes.



When using Buyers 5200 cables 1/4"-28 mount clamp to the front two holes.