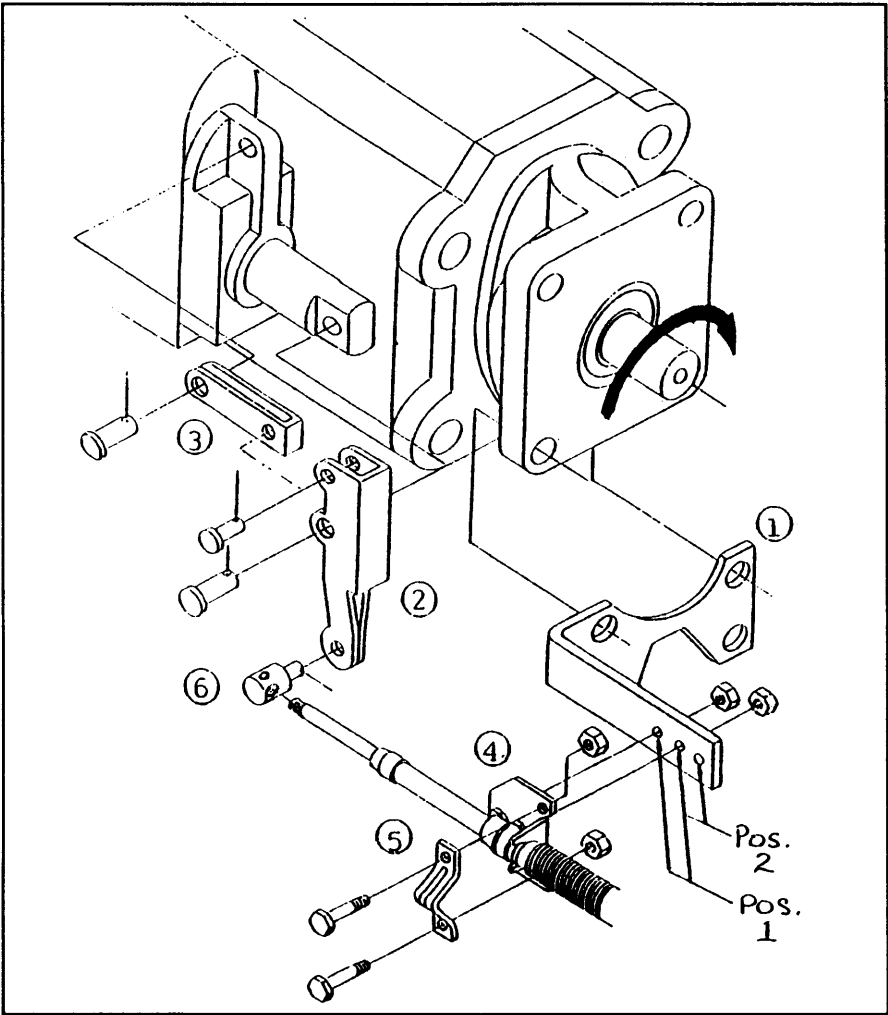


BPU102DMCW PUMP CONNECTION KIT



- 1 - INSTALL BRACKET (1) USING PUMP MOUNTING BOLTS.
- 2 - ATTACH LEVER ARM (2) TO VALVE SPOOL.
- 3 - SECURE ANCHOR (3) TO MTG. FOOT ON VALVE, CONNECT TO LEVER ARM.
- 4 - ASSEMBLE CABLE RETAINER (4) TO BRACKET.
NOTE: USE POSITION 1 FOR 5200 SERIES CABLE.
USE POSITION 2 FOR 6200 SERIES CABLE.
- 5 - SECURE CABLE TO BRACKET WITH CABLE CLAMP (5).
- 6 - ATTACH PIVOT PIN (6) TO ROD END OF CABLE AND CONNECT TO LEVER ARM.
- 7 - ADJUST PIVOT PIN FOR FULL TRAVEL OF VALVE SPOOL.
- 8 - TIGHTEN ALL FASTENERS AND ENSURE ALL COTTER PINS ARE PROPERLY INSTALLED.

This Kit will connect to both
1/4" & 5/16" cables.