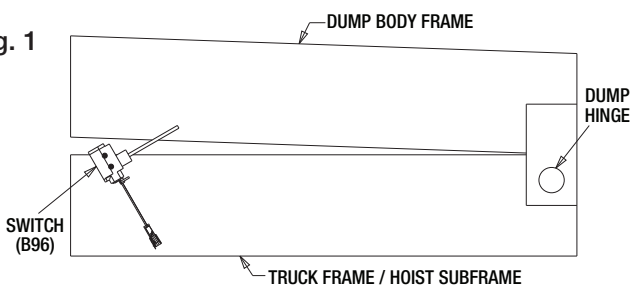


Installation Instructions

B95W/B96 Switch

1. Select an area along truck frame no more than one foot from front where both the truck frame and the dump body frame are free of obstructions.
2. Clean both surfaces.
3. Mount switch bracket to stationary portion of hoist subframe, as shown (Fig. 1).

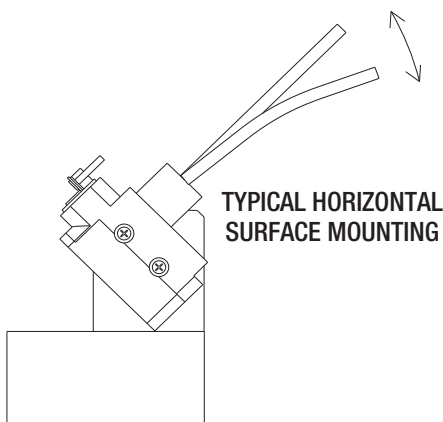
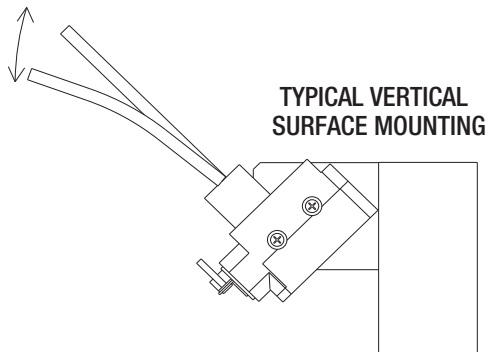
Fig. 1



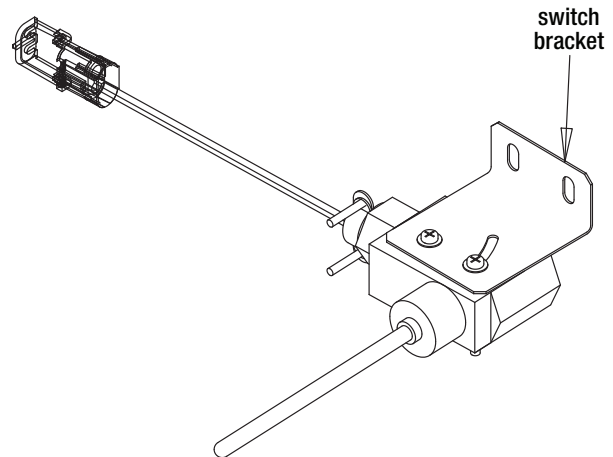
4. Adjust so that when the dump body is down the switch will be deactivated.

Typical Mounting Options

Mount so that switch is actuated when dump body is down and not actuated when dump body is raised



MOUNTING SHOWN IS FOR REFERENCE ONLY



Installer please forward this instruction sheet to vehicle owner/operator.

General Information:

These instructions are for your safety and the safety of the end user. Read them carefully until you understand them.

General Safety Information:

To prevent injury to yourself and/or damage to the equipment:

1. Read carefully all owners' manuals, service manuals, and/or other instructions.
2. Always follow proper procedures, and use proper tools and safety equipment.
3. Be sure to receive proper training.
4. Never work alone while under a vehicle or while repairing or maintaining equipment.
5. Always use proper components in applications for which they are approved.
6. Be sure to assemble components properly.
7. Never use worn-out or damaged components.
8. Always block any raised or moving device that may injure a person working on or under a vehicle.
9. When installing a Hydraulic Reservoir, always wear protective clothing and safety glasses.
10. Owner/Operator should periodically inspect reservoir, mounting brackets, and hardware as a routine maintenance