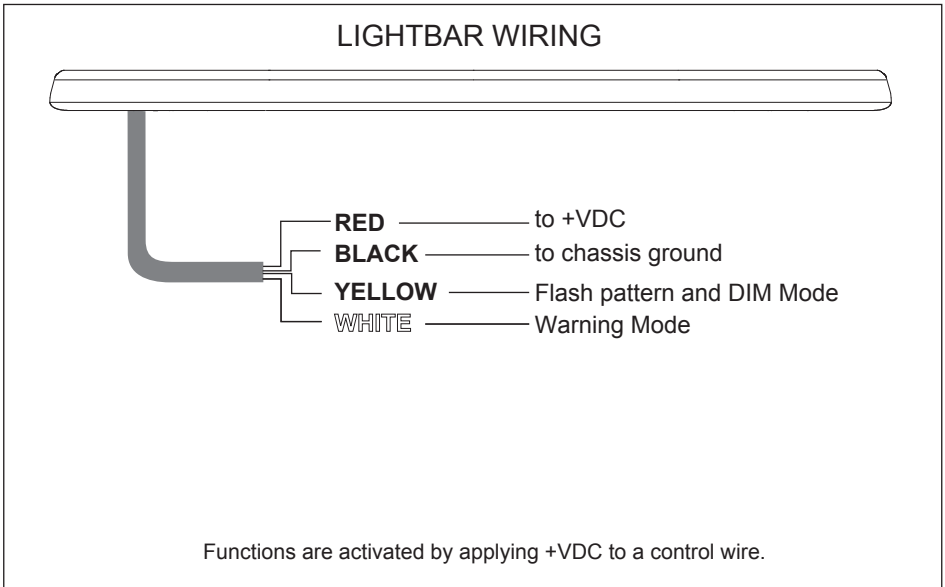




## WIRING & FUNCTIONS (A3)

Different applications require different functions. It is highly recommended to determine and configure the required functions prior to Installation; (refer to 'CONTROL WIRES' section).



**NOTE:** Middle Section lights are independently switched and do not form part of the R65 Approval.

## POWER WIRES

1. Route Power Cable to the vehicle firewall towards the battery.
2. Follow factory wiring harness through the firewall. It may be necessary to drill a hole in the firewall. Ensure that there are no components that could be damaged from the drilling.
3. Route the cable to the battery.
4. Install a 15Amp fuse (user-supplied) on the end of **RED** wire, then connect to battery.
5. Connect **BLACK** wire to the factory chassis ground adjacent to the battery.

**NOTE:** make sure that all wires of power cable are securely connected to power source.

## CONTROL WIRES

1. Route Control wires towards the dash area to a switch panel (user-supplied).
2. Connect the required wires to the switch panel.

## WARNING MODE

Activate Warning Mode by applying **+VDC** to **WHITE** wire. There is a list of built-in flash patterns to choose from. While in Warning Mode, tap **+VDC** to **YELLOW** wire:

- Once for next pattern.
- Quickly 3 times for FP#0.

FP#	FLASH PATTERN		
0	Kit Scan (split)	13	Single H/L (split)
1	Outside-In Single	14	Single (all)
2	Outside-In Ultra	15	Double (all)
3	Side-by-Side Single	16	Quad (all)
4	Side-by-Side Ultra	17	Quint (all)
5	Random	18	Mega (all)
6	Single (split)	19	Ultra (all)
7	Double (split)	20	Single-Quad (all)
8	Quad (split)	21	Single H/L (all)
9	Quint (split)	22	Single Cross
10	Mega (split)	23	Ultra Cross
11	Ultra (split)	24	Rotator1
12	Single-Quad (split)	25	Rotator2

## DIM MODE

The Lightbar can be activated in DIM Mode by applying **+12VDC** to **YELLOW** wire.