

Installation Instructions



LED 4-3/8" Low Profile Mount Strobe Lights

Horizontal:

8891900, 8891901, 8891902, 8891903, 8891904

Vertical:

8891910, 8891911, 8891912, 8891913, 8891914

RED: To +VDC (fuse @ 2A)
BLACK: To Chassis Ground
YELLOW: Synchronization: Connect YELLOW wires of all heads together (all heads must be set at the same pattern) Simultaneous or Alternating Flash: 1. Apply +VDC to RED and YELLOW wires simultaneously to enter grouping; lighthouse will display short (single or double) flashes: -Single flash = Group 1 -Double flash = Group 2 2. Momentarily apply +VDC to YELLOW wire to change groups: -Heads in the same group flash together. -Group 1 heads alternate with group 2 heads. Flash Patterns: Momentarily apply +VDC to YELLOW wire: -Once for next pattern. -Quickly three times for pattern 1

VOLTS: Multi-Voltage (12-24), 1 Amp @ 12 Volts

Flash Pattern	Description
1	Random
2	Single (split)
3	Double (split)
4	Quad (split)
5	Quint (split)
6	Mega (split)
7	Ultra (split)
8	Single-Quad (split)
9	Single H/L (split)
10	Single (all)

Flash Pattern	Description
11	Double (all)
12	Quad (all)
13	Quint (all)
14	Mega (all)
15	Ultra (all)
16	Single-Quad (all)
17	Single H/L (all)
18	Steady (half)
19	Steady (all)

Split = Left alternate right
All = All LEDs on

NOTE

The strobes **MUST** be mounted in correct orientation to achieve SAE J595 class 1 rating.

*Horizontal mount shown in Fig. 1.

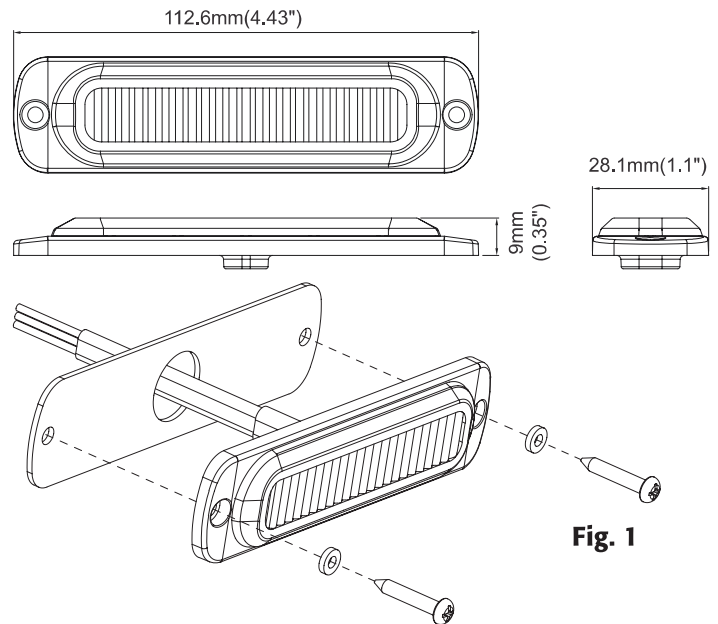


Fig. 1

WARNING

Do not look directly into LEDs while in operation; may cause momentary blindness and/or eye damage