

Installation Instructions



LED 4-3/8" Low Profile Mount Strobe Lights

Horizontal:

8891900, 8891901, 8891902, 8891903, 8891904

Vertical:

8891910, 8891911, 8891912, 8891913, 8891914

RED:	To +VDC (fuse @ 3A)
BLACK:	To Chassis Ground
WHITE:	For Steady Burn, apply +VDC
YELLOW:	Synchronization: Connect YELLOW wires of all heads together (all heads must be set at the same pattern) Simultaneous or Alternating Flash: 1. Apply +VDC to RED and YELLOW wires simultaneously to enter grouping; lighthouse will display short (single or double) flashes: -Single flash = Group 1 -Double flash = Group 2 2. Momentarily apply +VDC to YELLOW wire to change groups: -Heads in the same group flash together. -Group 1 heads alternate with group 2 heads. Flash Patterns: Momentarily apply +VDC to YELLOW wire: -Once for next pattern. -Quickly three times for pattern 0.

VOLTS: Multi-Voltage (12-24), 1 Amp @ 12 Volts

Flash Pattern	Description
1	Single (2Hz)
2	Double (2Hz)
3	Triple (2Hz)
4	Quad (2Hz)
5	Random
6	Single (split)
7	Double (split)
8	Quad (split)
9	Quint (split)
10	Mega (split)
11	Ultra (split)

Flash Pattern	Description
12	Single-Quad (split)
13	Single H/L (split)
14	Single (all)
15	Double (all)
16	Quad (all)
17	Quint (all)
18	Mega (all)
19	Ultra (all)
20	Single-Quad (all)
21	Single H/L (all)
22	Steady 2 (California)
23	Steady 4 (all)

Split = Left alternate right
All = All LEDs on

NOTE

The strobes **MUST** be mounted in correct orientation to achieve SAE J595 class 1 rating.

*Horizontal mount shown in Fig. 1.

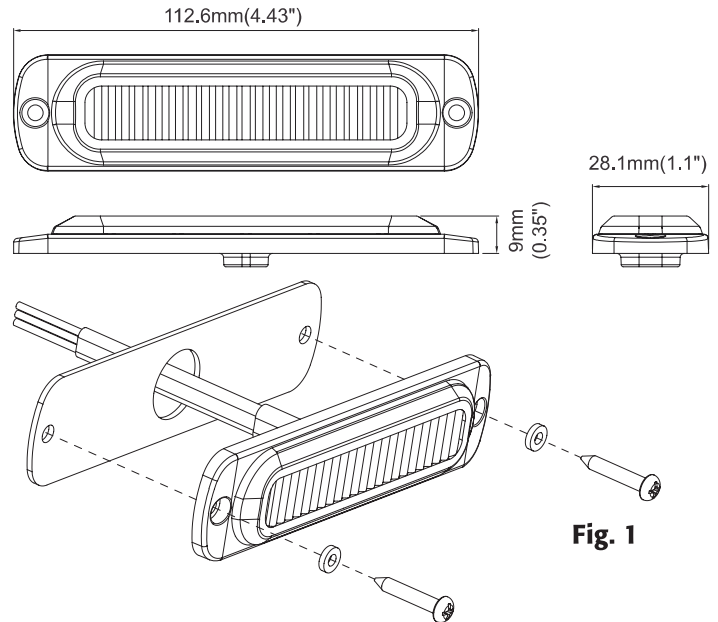


Fig. 1

WARNING

Do not look directly into LEDs while in operation; may cause momentary blindness and/or eye damage