

Installation Instructions

8891800 Series LED Strobe Lights

(8891800, 8891801, 8891802, 8891803, 8891804)

WARNING

Do not look directly into LEDs while in operation; this may cause momentary blindness and/or eye damage.



FP#	Flash Patterns
0	Random
1	Single (split)
2	Double (split)
3	Quad (split)
4	Quint (split)
5	Mega (split)
6	Ultra (split)
7	Single-Quad (split)
8	Single H/L (split)
9	Single (all)

FP#	Flash Patterns
10	Double (all)
11	Quad (all)
12	Quint (all)
13	Mega (all)
14	Ultra (all)
15	Single-Quad (all)
16	Single H/L (all)
17	Steady (ca)
18	Steady 4 (all)

Wiring

RED: To +VDC (fuse @ 3A)

BLACK: To Chassis Ground

WHITE: For Steady Burn, apply +VDC

YELLOW: Synchronization:

Connect YELLOW wires of all heads together
(all heads must be set at the same pattern)

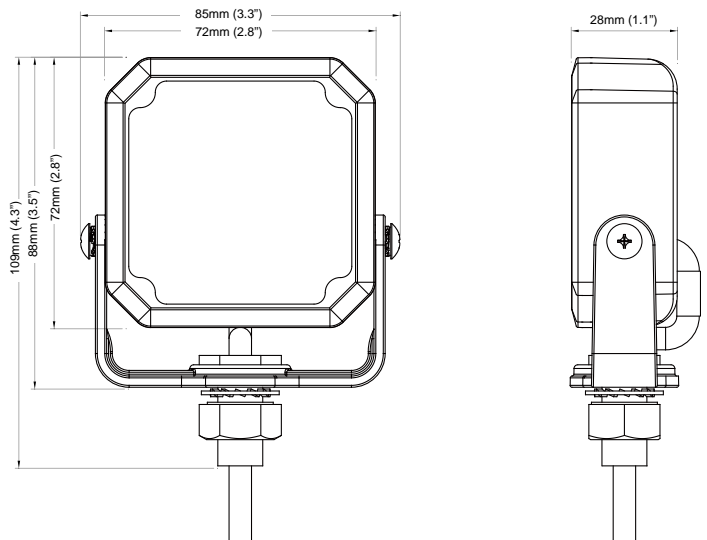
Simultaneous or Alternating Flash:

- Apply +VDC to RED and YELLOW wires simultaneously to enter grouping; lighthead will display short (single or double) flashes:
-Single flash = Group 1 -Double flash = Group 2
- Momentarily apply +VDC to YELLOW wire to change groups:
-Heads in the same group flash together.
-Group 1 heads alternate with group 2 heads.

Flash Patterns:

- Momentarily apply +VDC to YELLOW wire:
-Once for next pattern.
-Quickly three times for pattern 0.

VOLTS: 12-24 VDC, .55 Amps



Note: This unit is not factory set to FP#0