

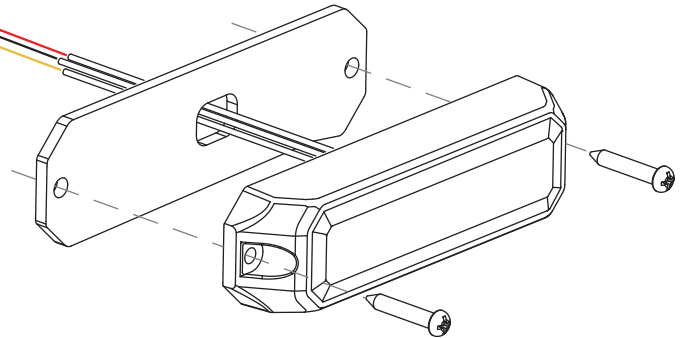


Surface Mount

To +VDC (fuse @ 3A).....**RED**

To Chassis Ground.....**BLACK**

For Synchronization:.....**YELLOW**



Connect **YELLOW** wires of all heads together for synchronization
(all heads must be set at the same pattern)

For Simultaneous or Alternating Flash:

1. Apply +VDC to **RED** and **YELLOW** wires simultaneously to enter Grouping mode; lighthead will display short (single or double) flashes:
 - Single flash = Group1
 - Double flash = Group2
2. Remove **YELLOW** wire from +VDC and momentarily apply to +VDC to change Groups:
 - Heads in the same Group flash together.
 - Group1 Heads alternate with Group2 Heads.

For Flash Patterns:

Momentarily apply +VDC to **YELLOW** wire:

- once for next pattern
- quickly three times for pattern 0

NOTE: Flash pattern is preset at #7 Quint Flash

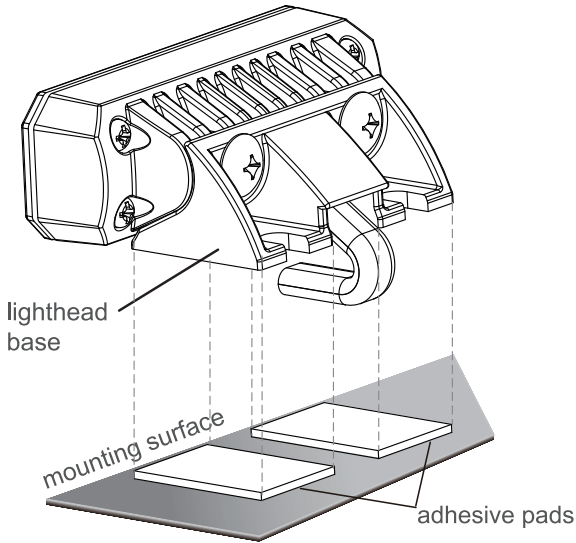
FP#	Flash Patterns		
0	Random	6	Quad
1	Steady	7	Quint
2	Single	8	8 Flash
3	Mega	9	Single-Quad
4	Double	10	Single H/L
5	Triple	11	Single-Triple-Quint



Adhesive Mount

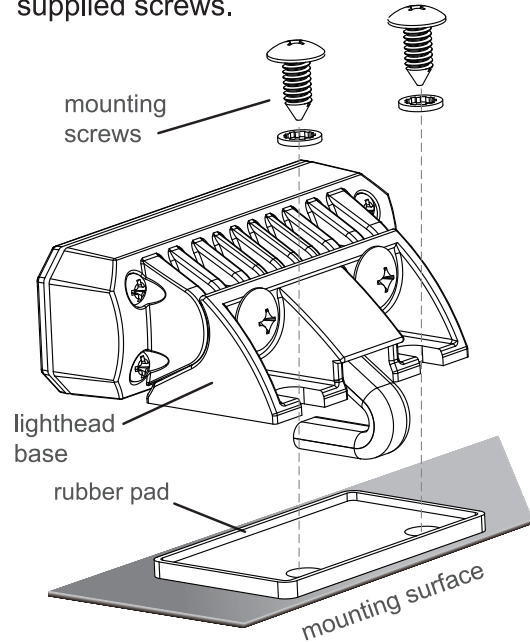
1. Select mounting location and clean surface.
2. Peel one side of adhesive and apply to lighthouse base.
3. Peel other side of adhesive and secure lighthouse firmly to the mounting surface.

NOTE: Optimum adhesive strength is achieved after 24hrs.



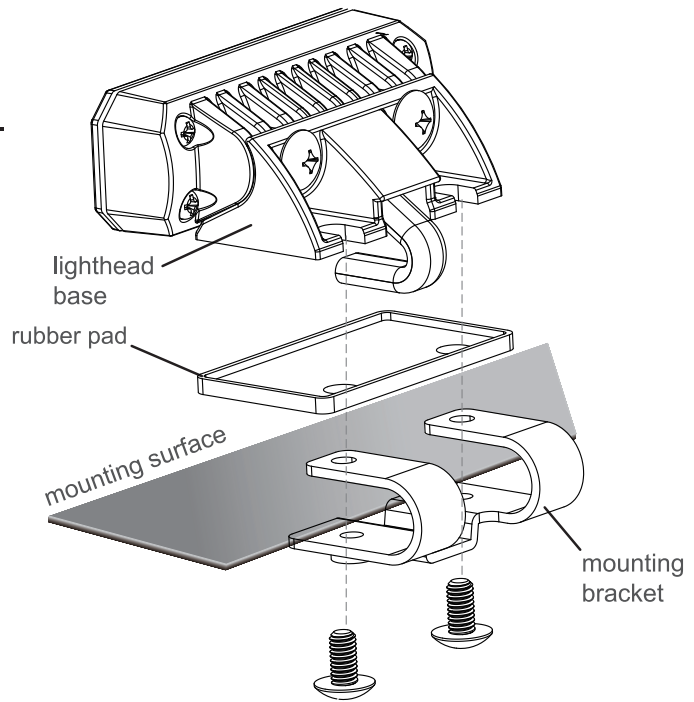
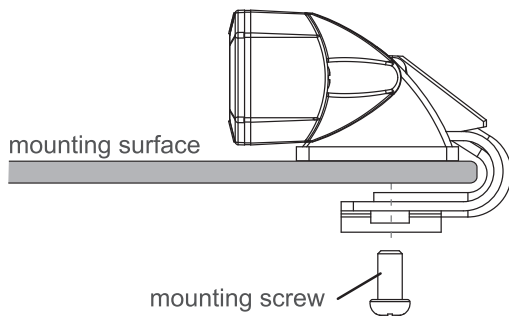
Screw Mount

1. Select mounting location.
2. Mark and drill mounting holes.
3. Place rubber pad to bottom of lighthouse base.
4. Secure lighthouse to mounting surface with supplied screws.



Bracket Mount

1. Select mounting location.
2. Place rubber pad to bottom of lighthouse base.
3. Place lighthouse to the mounting surface.
4. Align top holes of bracket onto the lighthouse base alignment points.
5. Secure lighthouse with supplied screws from the bottom of bracket.



8891400, 8891401, 8891403, 8891404