

Installation Instructions

8891100 & 8891102 LED Mini Light Bar



on/off — flash pattern selector

Flash Patterns

Momentarily push the Flash Pattern button:

- Once for next pattern
- Quickly 3 times for reset to FP#1

WARNING

Do not look directly into LEDs while in operation; this may cause momentary blindness and/or eye damage.

Wiring Code

RED:	To +VDC (fuse @ 10A)
BLACK:	To Chassis Ground (-)
WHITE:	For Simultaneous or Alternating Flash -Group 1 Units: (Wiring - WHITE connected to RED) will flash together - Group 2 Units: (Wiring - WHITE not connected to RED) will flash together *Group 1 Units will alternate with Group 2 Units
YELLOW:	Flash Patterns & Synchronization -Connect YELLOW wires of all head together for synchronization *All heads must be set to the same pattern

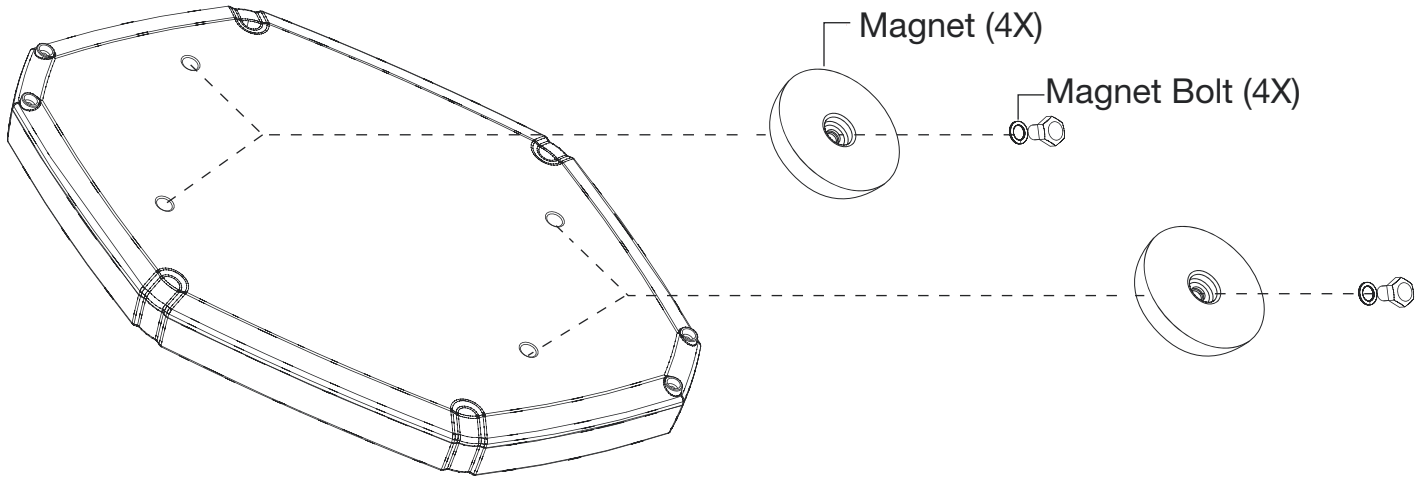
FP#	Flash Patterns	FP#	Flash Patterns
1	Kit Scan (split)	14	Single H/L (split)
2	Outside-In Single	15	Single (all)
3	Outside-In Ultra	16	Double (all)
4	Side-by-Side Single	17	Quad (all)
5	Side-by-Side Ultra	18	Quint (all)
6	Random	19	Mega (all)
7	Single (split)	20	Ultra (all)
8	Double (split)	21	Single-Quad (all)
9	Quad (split)	22	Single H/L (all)
10	Quint (split)	23	Single Cross
11	Mega (split)	24	Ultra Cross
12	Ultra (split)	25	Rotator 1
13	Single-Quad (split)	26	Rotator 2

Note: This unit is not factory set to FP#1

WARNING

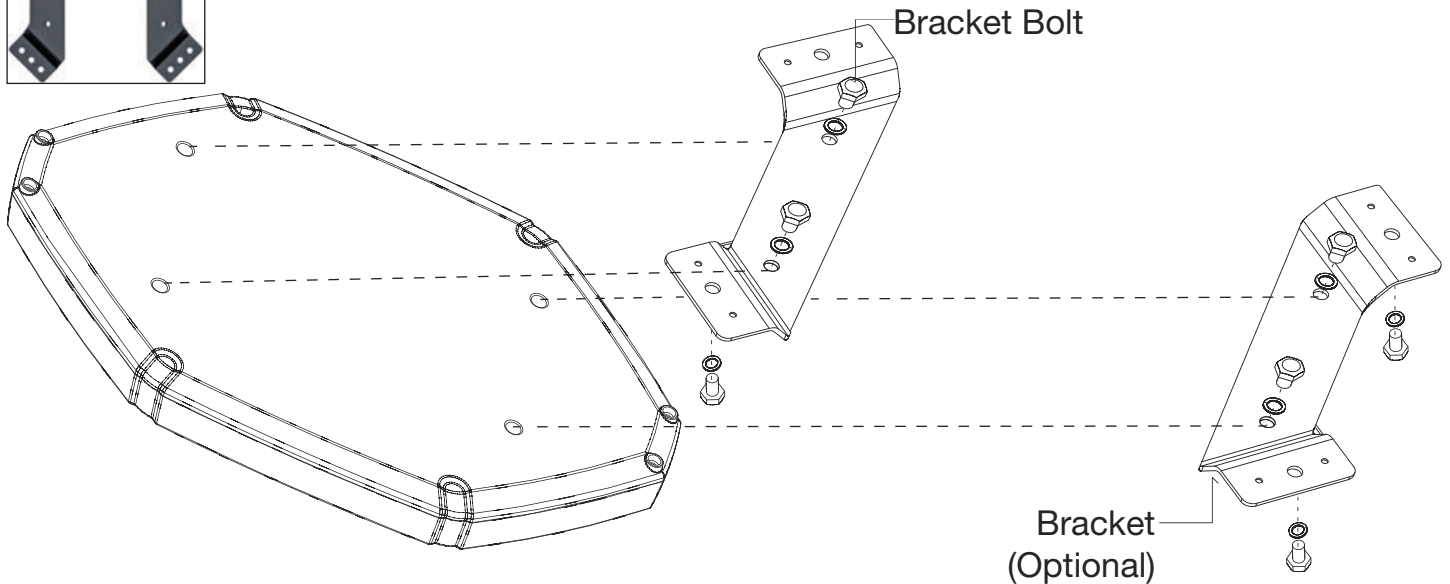
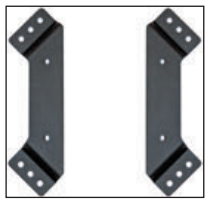
It is not recommended to use magnetically mounted warning devices on the exterior of vehicles in motion. Usage is at the sole risk and responsibility of the user.

Standard Magnet Mount



8891010

Optional Permanent Mount



⚠ WARNING

Do not look directly into LEDs while in operation; this may cause momentary blindness and/or eye damage.

⚠ WARNING

It is not recommended to use magnetically mounted warning devices on the exterior of vehicles in motion. Usage is at the sole risk and responsibility of the user.