

Installation Instructions

For KabGard™ accessories see pages 3-4

KabGard™

85104

69" x 23.5"

Fits full-size pickup trucks with cab heights of 24" above bed.

Ford:

F-150, 1997-Present

F250/350 Super Duty Reg. Cab, 1997-99

Chevy/GMC:

1500/2500 Reg. Cab, Ext. Cab & Crew Cab,

1999-Present

Dodge Ram:

1500 Reg. Cab, 1997-2001

1500 Quad Cab, 1997-2000

1500 Quad Cab, (155" wheel base only) 2001

2500 Reg. Cab, 1997-2001



IMPORTANT: Prior to installation, check owner's manual or contact your truck manufacturer for all necessary pickup box reinforcement kits. Always install recommended kits prior to window protector installation. Failure to follow this procedure may void truck's warranty. Never exceed recommended maximum combined weight of equipment and cargo, recommended by truck's manufacturer.

Place installation instructions and warranty information in vehicle glove box after installation.

Tools Required

- 3/4" Open or Socket Wrench (2)
- Electric Drill
- 3/4" Drill Bit

1. Determine which hole on the bracket to be used. Mark the appropriate hole for your vehicle on both brackets. See Fig. 1
2. Apply adhesive cushions to brackets. Punch holes in cushions according to marked holes in brackets. See Fig. 2
3. Attach anchors to brackets using 1/2-13 x 4" fully threaded screws. Do not tighten screws. Make only 3-5 turns into anchor's short side nut. See Fig. 3

85204

71.6" x 26.3"

Fits full-size pickup trucks with cab heights of 26" above bed.

Ford:

F-250 Super Duty Reg. Cab, Super Cab & Crew Cab, 2003-Present

F-350 Super Duty Reg. Cab, Super Cab & Crew Cab, 2003-Present

Chevy/GMC:

2500HD all cab styles, 2003-present

3500 all cab styles, 2003-present

Dodge Ram:

1500 Quad Cab, 2001-present

2500 Reg. Cab, 2002-present

3500 Reg. Cab & Quad Cab, 2003-present

Mega Cab, 2006

CAUTION

- Park your vehicle on flat, horizontal surface. Apply parking brake or use wheel chocks to prevent accidental rolling.
- To keep debris out of your eyes always wear protective eyewear.
- Tighten screws and nuts only when it is recommended by these instructions.
- Check contents of box against part list to make sure all components are included

Standard Mount

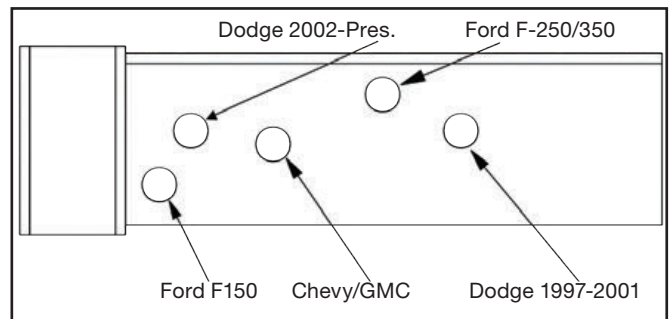


Fig. 1 Bracket, Top View

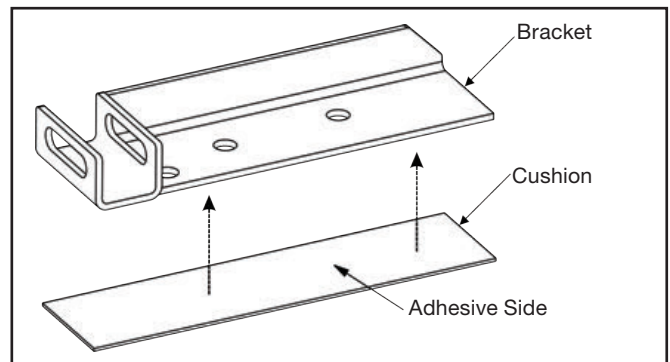


Fig. 2

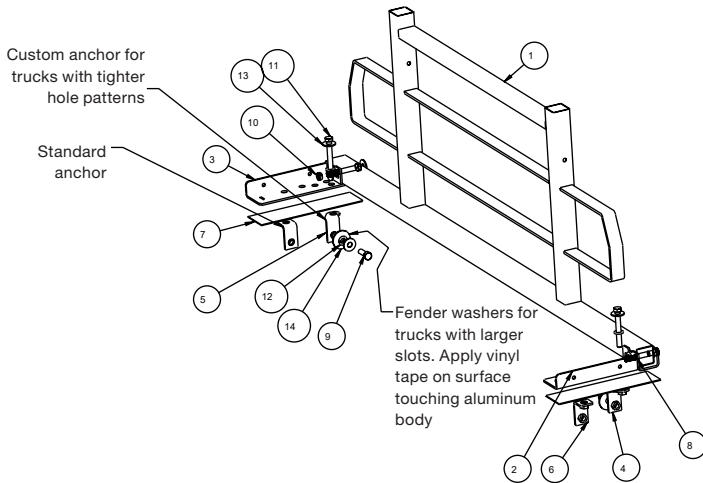
4. If side rail covers are installed, remove protective caps from the front stake pockets or cut openings in the rail covers to expose the front stake pockets. If present, drill holes in bedliner walls to open access to front stake pocket side holes. Many models of bedliners have a small mark on a wall against front stake pocket. Use it to drill necessary holes.

Insert anchors into stake pockets. Make sure that the anchors' long sides are facing inside the bed. Align holes in anchors with stake pocket openings and install hardware loosely from inside of the bed. For aluminum body truck, apply vinyl tape to the steel Washers and Anchors to protect from premature corrosion. Apply only to surfaces touching the aluminum. See Fig. 4.

5. Position the Window Protector on the front wall of the truck box. Slide the sides of Window Protector in the "U" shaped guides of the brackets. Align the brackets' slots with holes in the Window Protector and insert 1/2-20 x 2-1/2" screws. Install lock nuts. See Fig. 5

Position the Window Protector symmetrically on the vehicle. Tighten lock nuts evenly on both sides to 60-70 foot-pounds. Tighten screws on brackets until the lock washers are flattened plus 1 - 1-1/2 turns. Overtightening these screws can result in damage to truck's sheet metal.

KabGard with Mount Kit



Bill of Materials

ITEM	PART NO.	QTY.	DESCRIPTION
1	3023311	1	KabGard, Weldment, Ford Style
1	3024357	1	KabGard, Weldment, GM Style
2	3026704	1	Bracket PS Side, Weld Assy
3	3026703	1	Bracket DS Side, Weld Assy
4	3024035	1	Anchor Assy, Offset Right
5	3024036	1	Anchor Assy, Offset Left
6	3002723	2	Anchor Assy
7	3003250	2	Cushion Self-Adhesive
8	FCS050020350	2	Screw, Hex HD Cap 1/2-20 x 3.5 GR .5, ZN
9	FCS050013150	2	Screw, Hex HD Cap 1/2-13 x 1.5 GR .5, ZN
10	0150700	2	Nut, Center Lock Jam 1/2-20 GR A, ZN
11	3026019	2	Screw, HHC 1/2-13 x 4.00 Full Thread GR 5, ZN
12	FWL50088013	4	Washer, Lock - 1/2 Split, ZN
13	FWF050138014	8	Washer, Flat, 1/2" USS, ZN
14	3024340	2	Washer, Custom, 1.998OD x 0.530ID x 0.131THI

Standard Mount Cont.

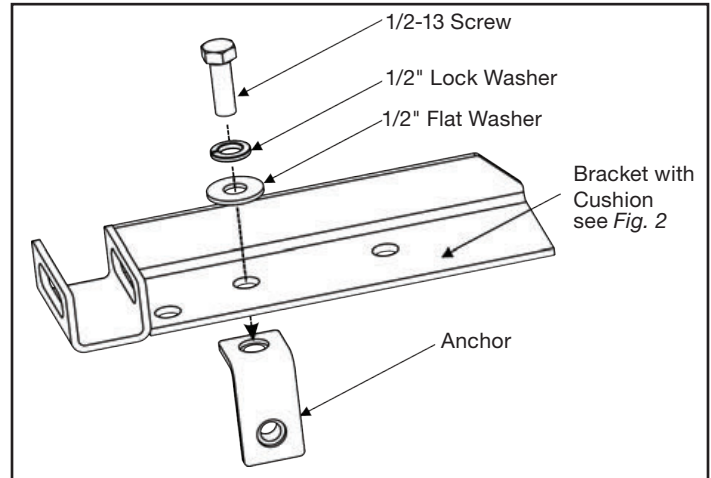


Fig. 3

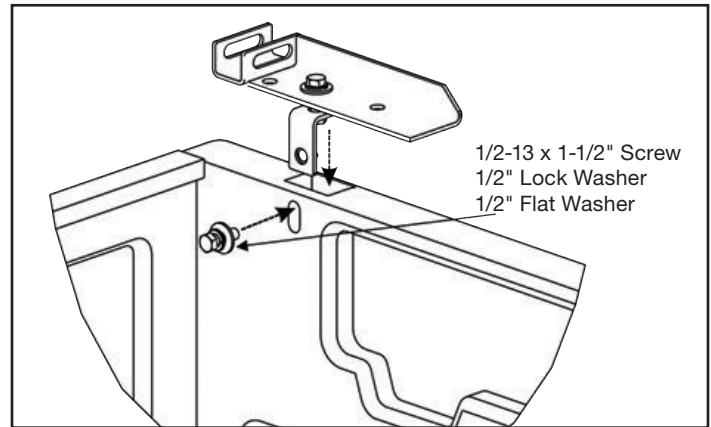


Fig. 4

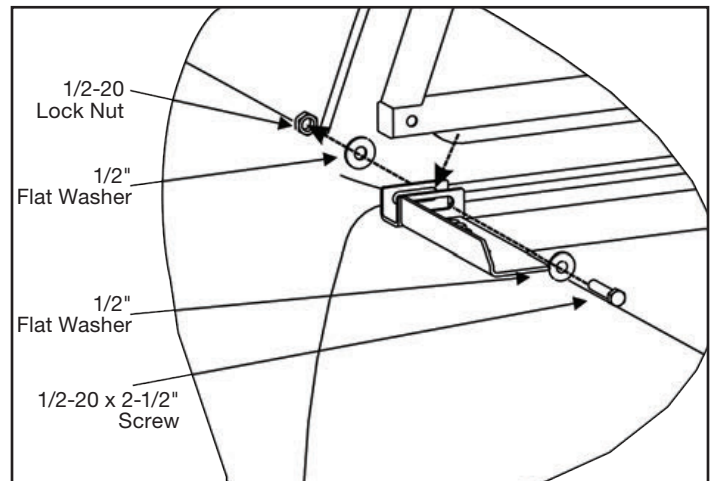


Fig. 5

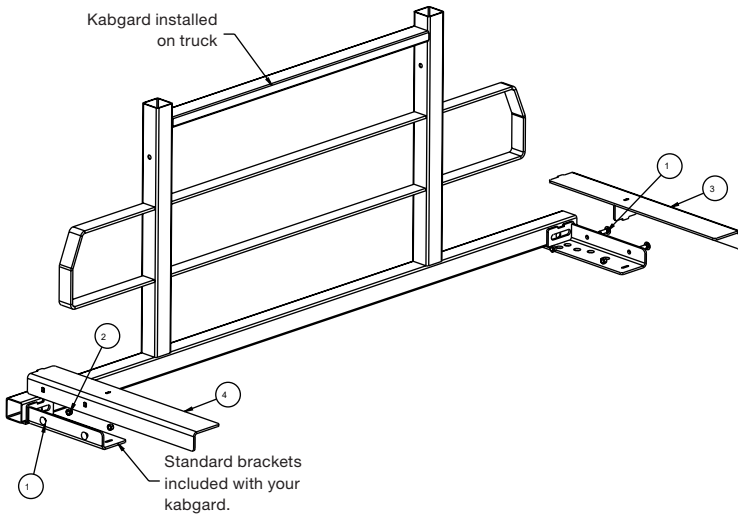
KabGard™ Accessory Installation

Crossbody Toolbox Mount

85162

This is to be used in conjunction with any crossbody toolbox.

1. Place bracket on top of existing kabgard mounting brackets.
2. Slide the bracket into the slots and align the bolt with the 2 square, predrilled, holes.
3. Secure the bracket with nuts and bolts provided.



Bill of Materials

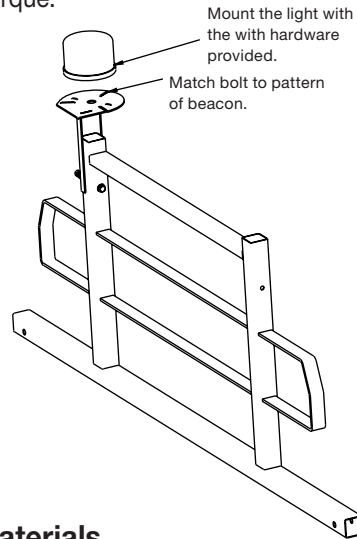
ITEM	PART NO.	QTY.	DESCRIPTION
1	3000547	4	Bolt, Carriage, 5/16-18 x 1 GR 5 ZN
2	FNE031018034	4	Nut, Nylock, 5/16-18 ZN
3	3026698	1	Bracket, TB Add-On, Weld PS
4	3026693	1	Bracket, TB Add-On, Weld DS

Beacon Light Mount(s)

85141 & 85142

Driver side and passenger side mounts sold separately.

1. Place bracket on the driver/passenger side accordingly.
2. Align bolts and secure with washer and nut.
3. Secure the beacon by tightening the bolts and nuts firmly. Do not over torque.



Bill of Materials

ITEM	PART NO.	QTY.	DESCRIPTION
1	3024834	1	Pillar, Light Mounting, PS
1	3024835	1	Pillar, Light Mounting, DS
3	FCS038016300	1	Screw, HHC 3/8-16 x 3
4	FWF038081006	2	Washer, Flat 3/8
5	FWL038069009	1	Washer, Lock RHS-3/8
6	FNH038016028	1	Nut, 3/8-16 HEX ZP

Spot/Flood Light Mount

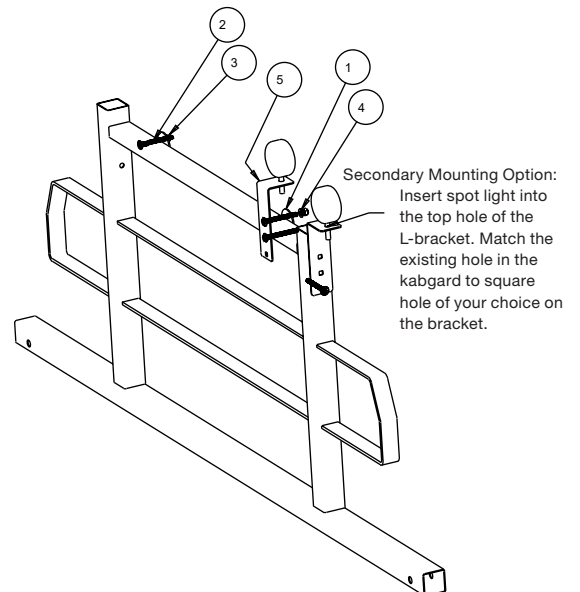
85166

These are to be used when mounting with studs.

1. Place bracket on top of L-bracket and secure it with nuts and bolts
2. Align bolts through the two existing holes on the kabgard and through the clamping plate.
3. Secure the bracket with nuts and bolts provided.
4. Secure the beacon by tightening the bolts and nuts firmly. Do not over torque.

Bill of Materials

ITEM	PART NO.	QTY.	DESCRIPTION
1	3026710	2	Flat Clamp
2	3026711	4	Bolt, Carriage, 5/16-18x3
3	FNE031018034	4	Nut, Nylock 5/16-18
4	FWF031075006	4	Washer, 5/16
5	3027002	2	Clamping Angle

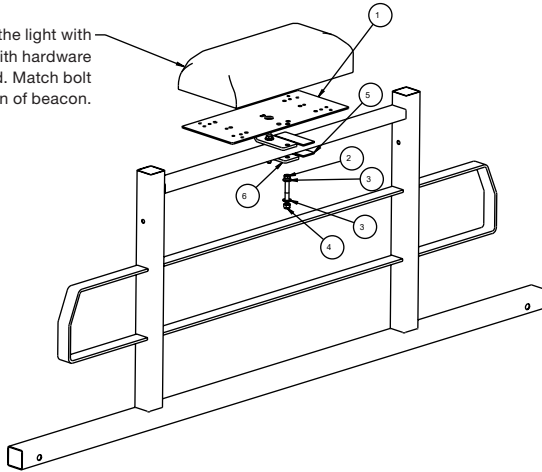


Mini Lightbar Mount

85152

1. Place bracket on top.
2. Apply 2 pieces of gasket to the proper components.
3. Align bolts through existing holes on the bracket and clamp plate.
4. Secure the bracket by tightening the bolts and nuts firmly. Do not over torque.

Mount the light with the with hardware provided. Match bolt to pattern of beacon.



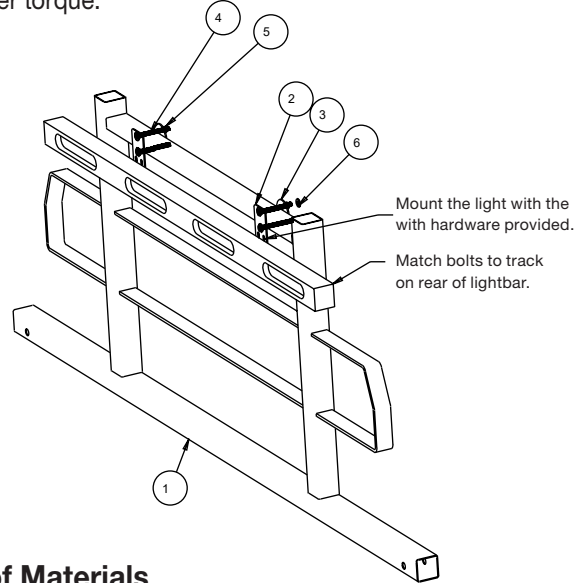
Bill of Materials

ITEM	PART NO.	QTY.	DESCRIPTION
1	3026993	1	Mnt Kit, Mini Lightbar, For Kabgard
2	FCS038016250	2	Screw, HHC 3/8-16 x 2-1/2 GR 5 ZP
3	FWF038081006	4	Washer, Flat 3/8 SAE ZINC
4	FNE038016044	2	Nut, Nylock 3/8-16 x 7/16 ZINC
5	3024851	2	Gasket, Light Bracket
6	3026706	1	Clamp Plate, Kabgard

Traffic Lightbar Mount

85176

1. Place bracket on top railing, facing the bed of the truck.
2. Align bolts through existing holes on the bracket and clamp plate.
3. Secure the bracket by tightening the bolts and nuts firmly. Do not over torque.



Bill of Materials

ITEM	PART NO.	QTY.	DESCRIPTION
1	3026709	2	Clamp Plate
2	3026710	2	Screw, HHC 3/8-16 x 3, GR 5 ZN
3	3026711	4	Washer, Flat 3/8 SAE ZINC
4	FNE031018034	4	Washer, Lock RHS-3/8 ZN
5	FWF031075006	4	Nut, 3/8-16 HEX ZP

Full-Size Lightbar Mount

85177

1. Place bracket on top railing with bracket hanging over the cab.
2. Align bolts through the two existing holes and through the clamping plate.
3. Secure the bracket by tightening the bolts and nuts firmly. Do not over torque.

Bill of Materials

ITEM	PART NO.	QTY.	DESCRIPTION
1	3026708	2	Clamp Plate
2	FWF038081006	8	Washer, Flat 3/8
3	FNE038016044	4	Nut, Nylock 3/8-16
4	FCS038016350	4	Screw, HHC 3/8-16 x 3.5
5	3026707	2	Angle, Railing

