

360° Portable **LED** Battery Operated Warning Lights

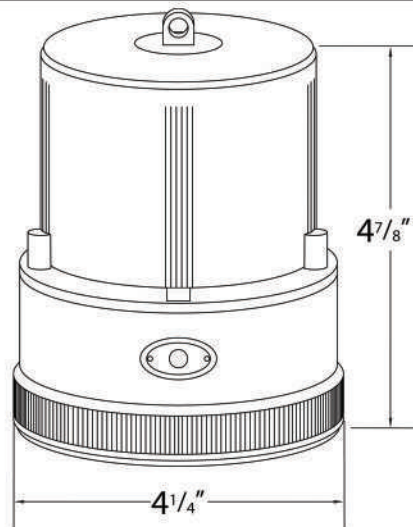
Product Data Sheet

Shown with bracket 96010 (not included)



Product Features and Benefits:

- 360° LED beacon in yellow or red
- 24 ultra bright LED's
- 60 triple flashes per minute
- Includes optional use photocell that automatically turns lamp off during day and on at night
- 300-400 hours of operation on 2 'D' cell batteries (not included)
- Strong magnet base holds lamp in place when placed on a metal surface



77912 - Red
77913 - Yellow

Material: Nylon/Polycarbonate

Finish: Yellow/Red

Bracket: 96010

Part Number	Market	Light Source	Operating Voltage	Interchange
77912	Construction/Utility/Agriculture/Emergency	LED	2 x D Cell	NA
77913	Construction/Utility/Agriculture/Emergency	LED	2 x D Cell	NA