

Installation Instructions

32 LED Stop/Turn/Tail/ Backup/Strobe Lights

5624432 4" Round & 5626432 6" Oval

FEATURES:

- Integrated warning, reverse, and stop/turn/tail functions
- Grommet mount or surface mount with a chrome cover
- SAE J595 Class 1 Rated Amber Strobe
- IP69K Rated

SPECIFICATIONS:

- Voltage: 12-24VDC
- Amps: 1.3 Amps @ 12V
- Watts: 16W
- # of LED's: 32
- Flash Patterns: 19
- Mount Style: Grommet or Screw
- Operating Temperature: -22° to 158°F
- Certifications: SAE J595, CA13, R65, R7, R91, FMVSS-108

FLASH PATTERNS:

1	Random (Default)	11	Single (All)
2	Single (Split)	12	Double (All)
3	Double (Split)	13	Quad (All)
4	Quad (Split)	14	Quint (All)
5	Quint (Split)	15	Ultra (All)
6	Ultra (Split)	16	Single-Quad (All)
7	Single-Quad (Split)	17	Single-H/L (All)
8	Single-H/L (Split)	18	Steady 2 (California)
9	ECE R65 Single (All)	19	Steady 4 (All)
10	ECE R65 Double (All)		

WIRING CONFIGURATIONS:

RED - Apply +VDC to wire to activate warning function
BLACK - Ground Wire. Apply the wire to the power to activate the product.

YELLOW - Synchronization, flash pattern selection and reset

- Connect YELLOW wires of all heads together for synchronization
- To change flash patterns, apply +VDC for less than 1 second and release
- Flash patterns will be reset when YELLOW wires are connected to RED wire for more than 5 seconds

WHITE - Alternation. With the power off, connect the wire from one lighthouse to + VDC and leave the other unconnected. Their patterns will alternate when the lighthouses are activated.

GRAY - Turn signal/Brake light

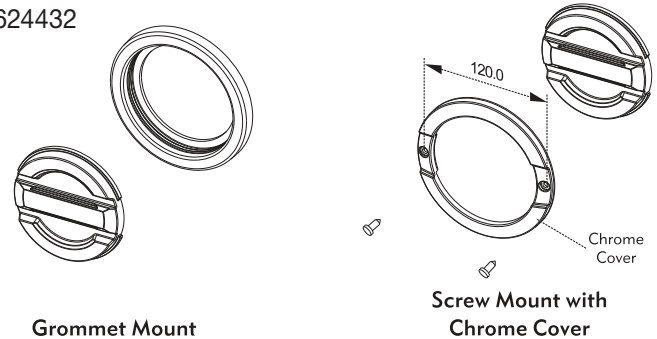
PURPLE - Tail light/Parking light

PINK - Reversing light



MOUNTING OPTIONS:

5624432



5626432

