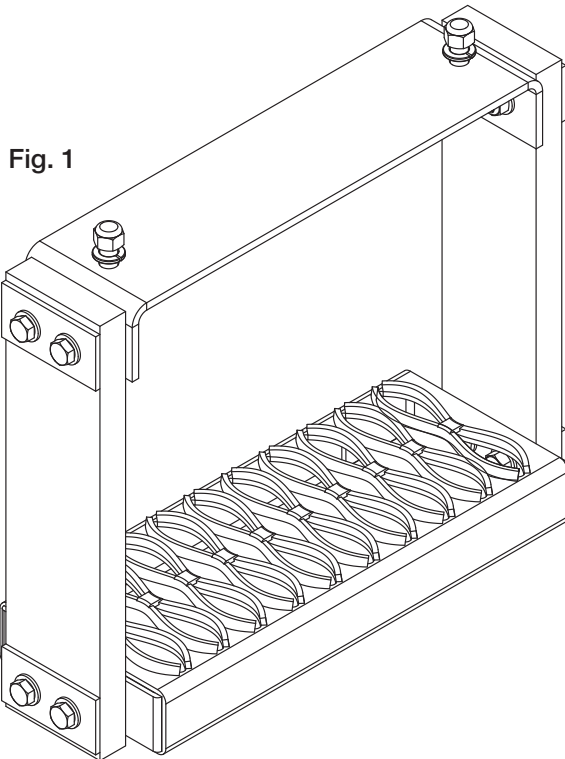


Installation Instructions

5231112 Flexible Step



Tools needed for assembly

- Drill
- 1/16" Drill Bit
- 1/2" Open-end Wrench
- 1/2" Socket and Wrench
- 9/16" Open-end Wrench
- 9/16" Socket
- Marking Device (to transfer holes)

Assembly Instruction

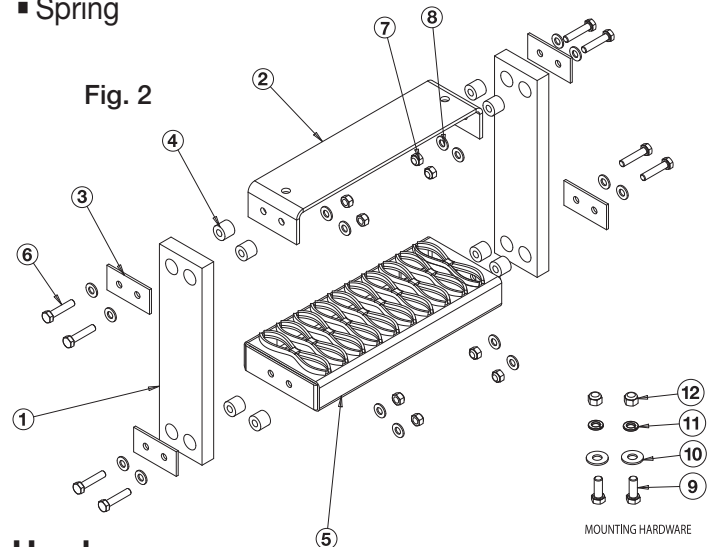
Wear proper safety equipment such as safety goggles and gloves when installing product on vehicle.

- 1.** Assemble step as shown in fig #2. Assembly is the same if mounted on right, left, or rear of the vehicle.
- 2.** Insure all fasteners are properly tightened.
- 3.** Locate position of step on vehicle and mark hole locations. Drill and mount step using the 3/8-16 hardware supplied. Once again ensure the hardware is properly tightened.

Shop for quality Buyers products on our website.

Contents

- (2) Rubber Straps
- Mounting Bracket
- (4) Plates
- (4) Pacers
- Step
- (8) 1/2" Lock Washers
- (8) 1/2" Nuts
- (2) 1/2" x 3 1/2" Bolts
- Wire
- Spring



Hardware

- 5/16-18" x 1/2" Cap Screw
- 5/16-18" Nylock Nut
- 5/16" Washer
- 3/8-16" x 1" Screw
- 3/8" Flat Washer
- 3/18-16" Nylock Nut

Discover other truck bed accessories on our website.