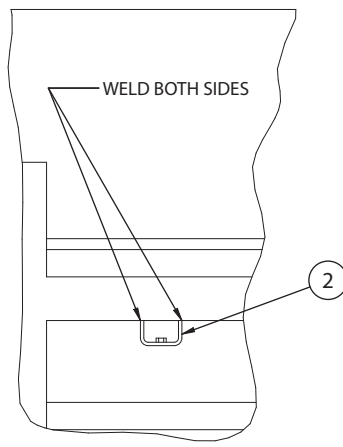
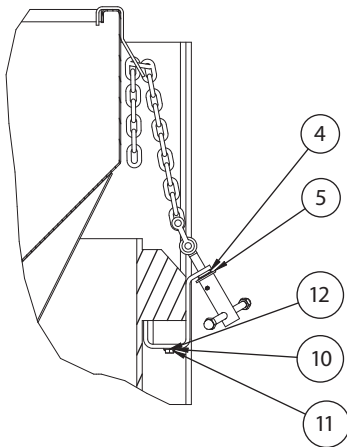
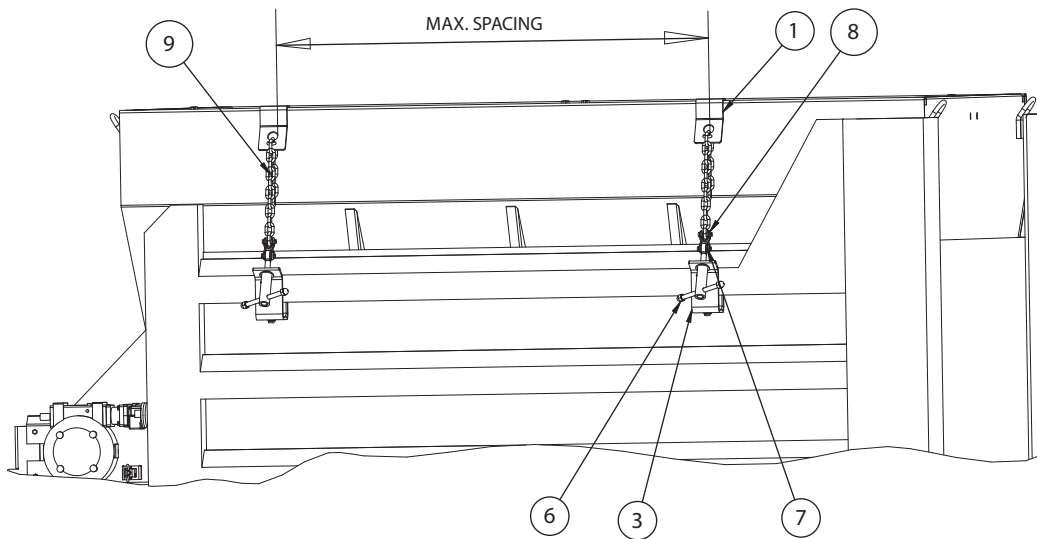


Installation Instructions

3010548 Tie-Down Kit, Municipal Spreaders



Bill of Materials

ITEM	PART NO.	QTY.	DESCRIPTION
1	3011269	4	Hook, Top
2	3011273	4	Channel Weldment, Tie-down
3	3011271	4	Bracket, Tie-down
4	-	4	Washer, Lock 3/4" Zn
5	-	4	Washer, flat 3/4" USS Zn
6	TGL34SB	4	Bar Subassembly
7	3011274	4	Rod, End
8	B2409C	4	Double Clevis Link, 3/8"
9	3011270	4	Chain Tie-down Kit
10	-	4	Washer, Flat 1/2" SAE Zn
11	-	4	Washer, Lock 1/2" Split Zn
12	-	4	Screw, Hex Cap 1/2-13 x 2" Gr 5 Zn

1. Dump bodies with open top rails do not require installation of channels (3011273).

2. For dump bodies with closed top rails locate and weld channels (3011273) as shown. Make sure that channels are flush with outside surface of top rail. Place these channels apart as far as possible, while still achieving a straight vertical pull at each tie down point.

3. Install all components as shown and tighten Bar Assemblies securely. Make sure to tighten chains equally on opposite sides to keep spreader centered in the body and maintain equal tension on opposite chains.

4. Check tension after the spreader is first loaded and daily thereafter.