

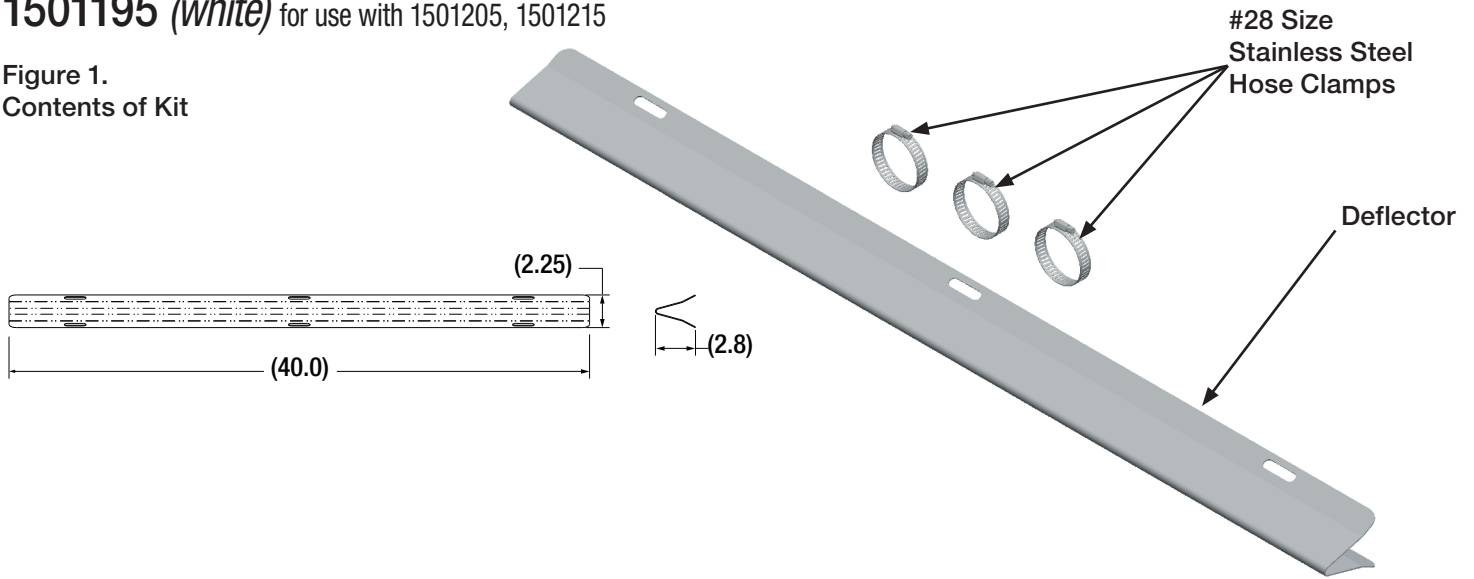
# Installation Instructions

## Wind Deflectors for Round Tube Ladder Racks

**1501193 (black)** for use with 1501100, 1501200, 1501210, 1501300

**1501195 (white)** for use with 1501205, 1501215

Figure 1.  
Contents of Kit



**Step 1. Install the Deflector on the Front Hoop of your ladder rack using the provided clamps.**

The Deflector should be positioned so it points downward as shown.

**Step 2. Test the Deflector at highway speeds to confirm that the wind noise has been reduced.**

The angle may be adjusted if necessary. Confirm that the clamps are completely tightened before each road test and after the final position is determined.

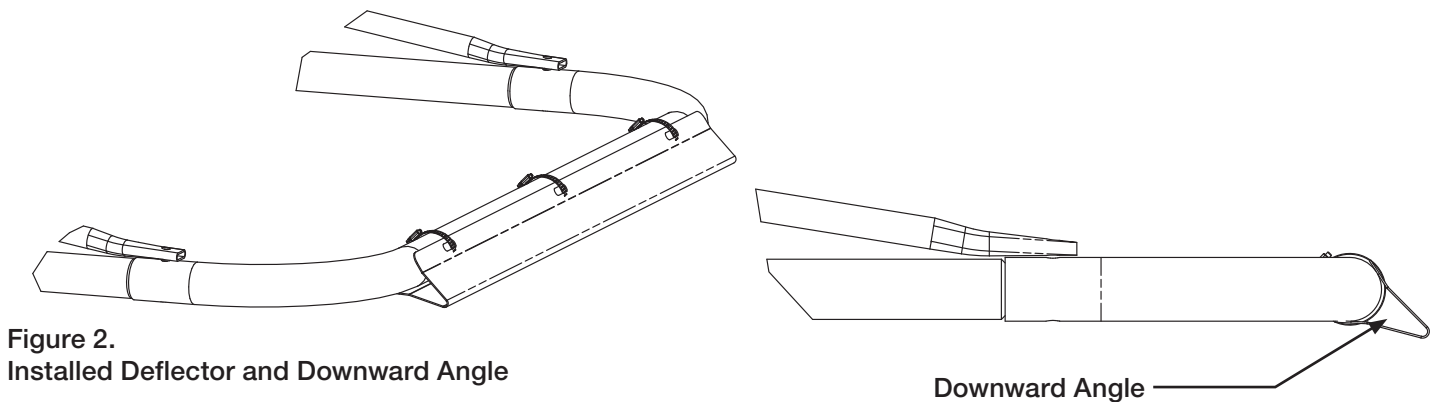


Figure 2.  
Installed Deflector and Downward Angle