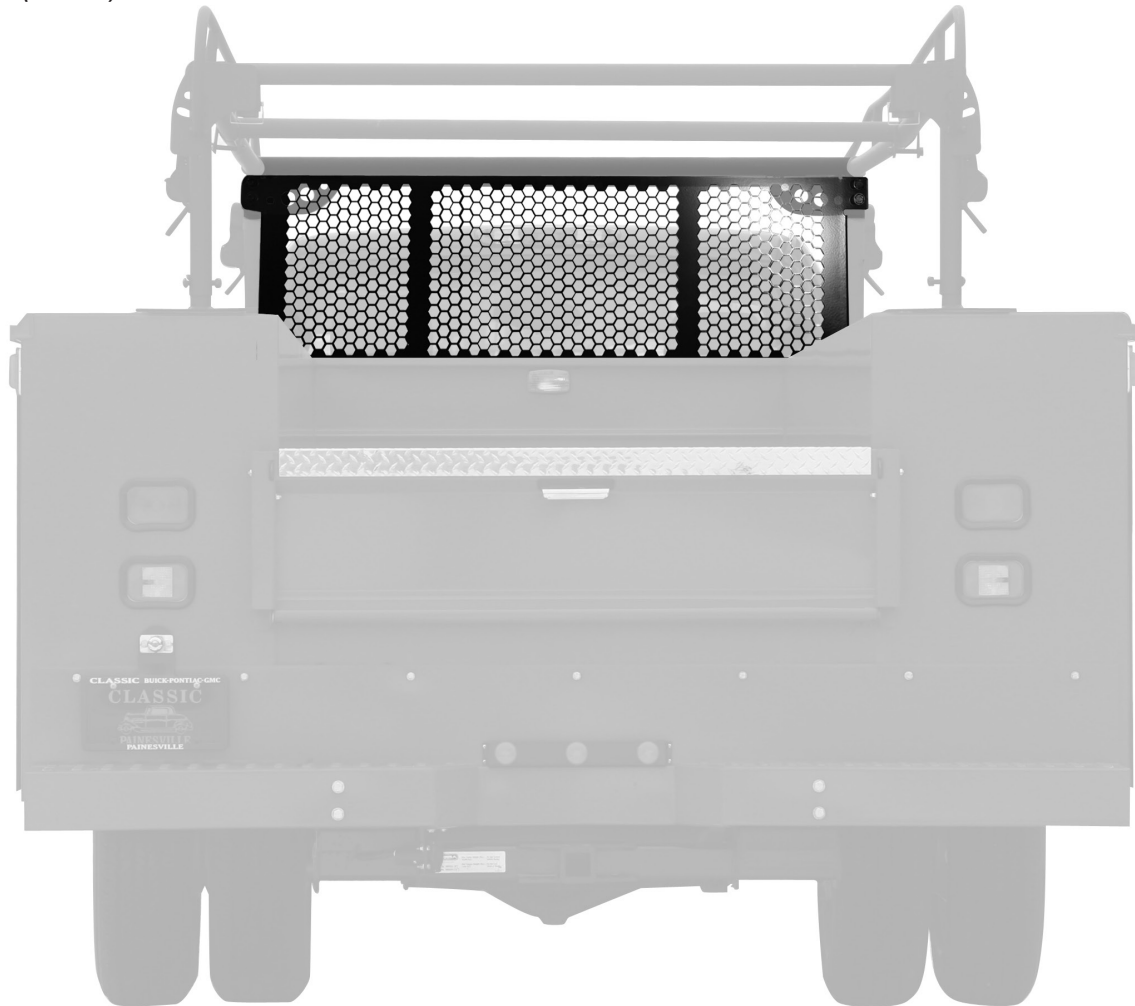


Installation Instructions

Window Screen for Ladder Racks

1501110 (*black*) for use with 1501200, 1501210

1501112 (*white*) for use with 1501205, 1501215



1. Install Window Screen in the position shown in Figure A. (An alternate mounting position is shown in Figure B.)

NOTE: If the ladder rack was previously installed it may need to be repositioned when mounting the window screen. All hardware may need to be retightened.

2. The Window Screen will work with the hardware already installed on the Ladder Rack as shown in Figures C and D.

3. The lock washers included with the Ladder Rack may need to be removed in order for the bolts to fully engage the nuts. At least one thread of the bolt must be visible beyond the nylon feature of the nut. See Figures E and F.

⚠ WARNING

These window screens are designed to be used with Buyers Products Ladder Rack part numbers 1501200, 1501205, 1501210 & 1501215 only.

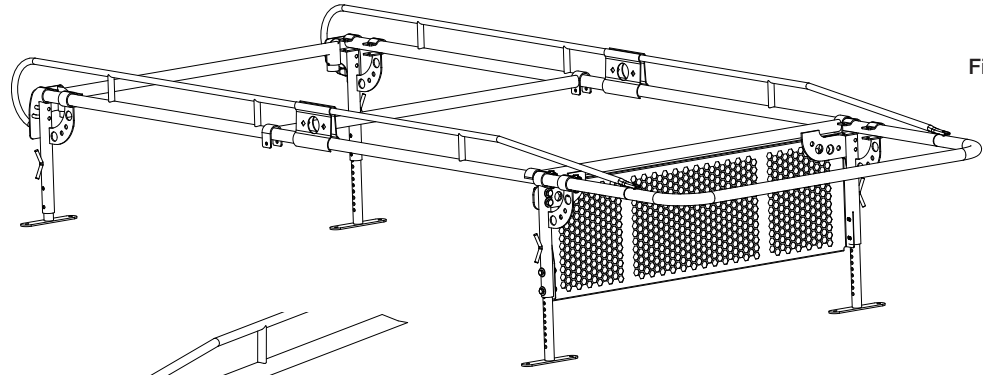


Figure A

Figure B

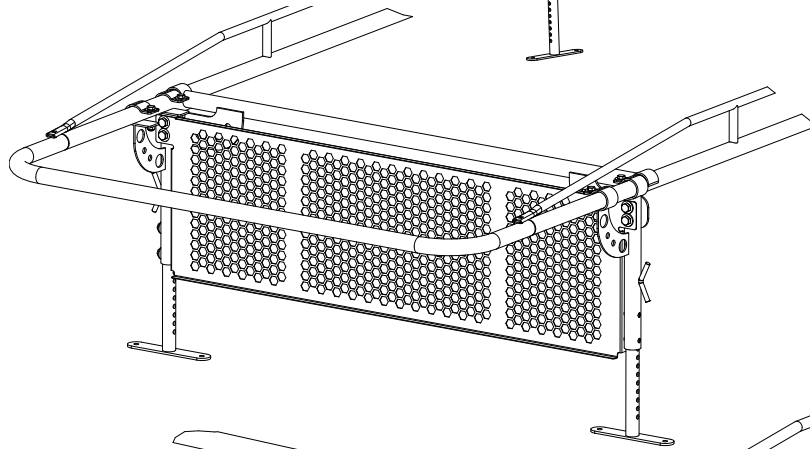


Figure C

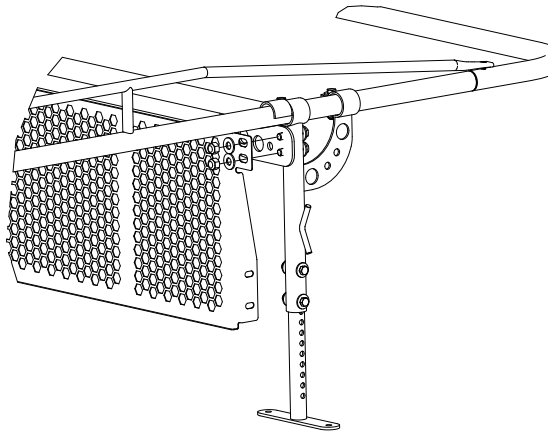


Figure D

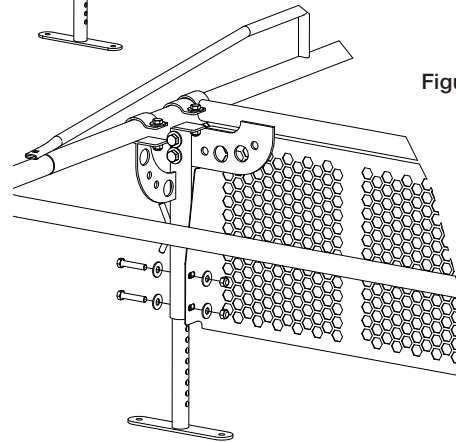


Figure E

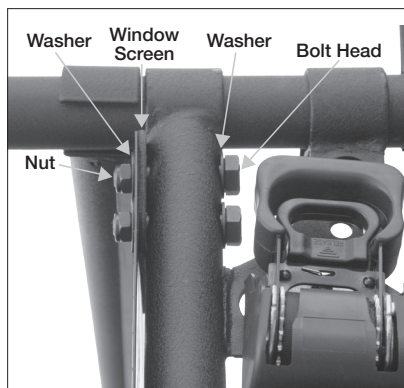


Figure F

