

Manual

Self-Contained Hopper Spreader 96" Polymer Hopper

Table of Contents

Warranty Information..... 1
 General Information 1
 Safety Precautions 2
 Installation Instructions 3
 Spreader Operation..... 5
 Spreader Maintenance 6
 Repair Parts & Drawings 8 - 12



Spreader Models and Specifications

Kit #	Hopper Length	Chute Length	Overall Length	Overall Width	Overall Height	Empty Weight	Cap. Struck	Cap. Rounded
1400400	8'	Standard	115¾"	47"	35½"	977 lbs.*	1.9	2.2
1400450	8'	Extended	115¾"	47"	35½"	993 lbs.*	1.9	2.2

* Empty weight includes Top Screen, Chute, & Deflector

General Information

1. Recommended Vehicle Requirements:

- 3/4 or 1 ton Pick-up Truck Above 8500# GVWR

CAUTION

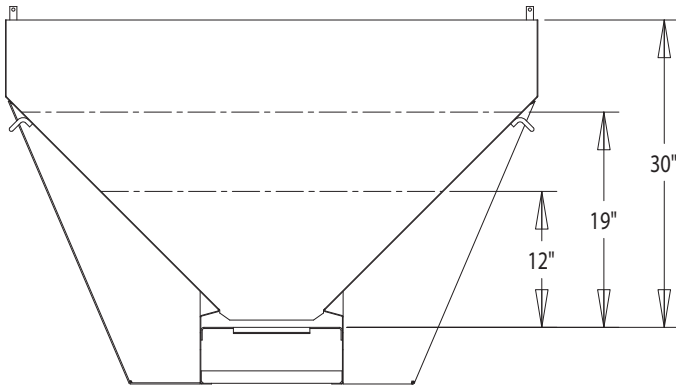
Do not overload vehicle beyond the vehicle's Gross Vehicle Weight Rating (GVWR) or Gross Axle Weight Ratings (GAWR). Check the vehicle's load rating certification sticker for maximum vehicle capacity.

2. Average Material Weights:

MATERIAL	WEIGHT (POUNDS PER CUBIC YARD)
#1 Rock Salt	950
#2 Rock Salt	1,215
Coarse Sand - Dry	2,565
Coarse Sand - Wet	3,240

Note: To calculate the total spreader weight (including ice control material); add the empty spreader weight plus the ice control material and spreader accessories.

3. Hopper Storage Capacity



HOPPER CAPACITIES	
12"	.50 CU-YD
19"	1.0 CU-YD
30"	1.9 CU-YD

4. Recommended Fastener Torques:

Maintain all fastener torques as shown in the following table. Failure to do so may cause injury to persons.

	SAE GRADE 2 FT-LBS	SAE GRADE 5 FT-LBS
1/4-20	6	9
5/16-18	11	18
3/8-18	19	31
3/8-24	24	46
7/16-14	30	50
1/2-13	45	75
9/16-12	66	110
5/8-11	93	150

5. Engine and Gearbox Oil:

The engine crankcase is filled with 1 quart of SAE 5W-30 motor oil at the factory. The gearbox is filled with SAE 90 gear lubricant at the factory.

WARNING

Verify that the above oil viscosity meets your operating temperature requirements. If not, empty and refill with the proper viscosity oil. Before starting spreader, check that the engine crankcase and gearbox are filled to the proper level with lubricant.

Safety Precautions

WARNING

Observe the following Safety Precautions before, during and after operating this spreader. By following these precautions and common sense, possible injury to persons and potential damage to this machine may be avoided.

1. Read this entire Owner's Manual before operating this spreader. This includes the engine Operator's Manuals.
2. Read all safety decals on the spreader before operating the spreader.
3. Check to make sure all safety guards are securely mounted into place before operating this spreader.
4. Make sure the engine cover is securely fastened to the spreader before operating the spreader.
5. Verify that all personnel are clear of the spreader spray area before starting or operating this spreader.
6. Keep all loose clothing, hair, jewelry and limbs clear of the spreader before starting or operating this spreader.
7. Do not over-load your vehicle beyond payload limits. If there are any questions, contact the vehicle manufacturer.
8. Do not adjust, clean, oil or unclog material jams without first turning off the spreader, removing the engine spark plug connector.
9. Do not climb on or in the spreader during operation. Do not ride on the spreader while the vehicle is in motion.
10. Make sure the spreader is securely fastened to the vehicle in accordance with this manual.
11. Do not operate a spreader that is in need of maintenance or repairs.
12. Never lay tools or equipment on top of the spreader's 12V DC battery. This could accidentally ground the positive (+) battery terminal, resulting in electrical shock, burns or damage to the vehicle or equipment.
13. Avoid contact with battery acid. Battery acid can seriously burn eyes or skin. Battery acid can also burn holes in clothing.
14. Always disconnect the battery before removing or replacing any electrical components.

15. A charging battery gives off gases that can explode if touched by a spark or flame. Cover the top of the battery with electrically non-conductive material to keep sparks away from battery gases.

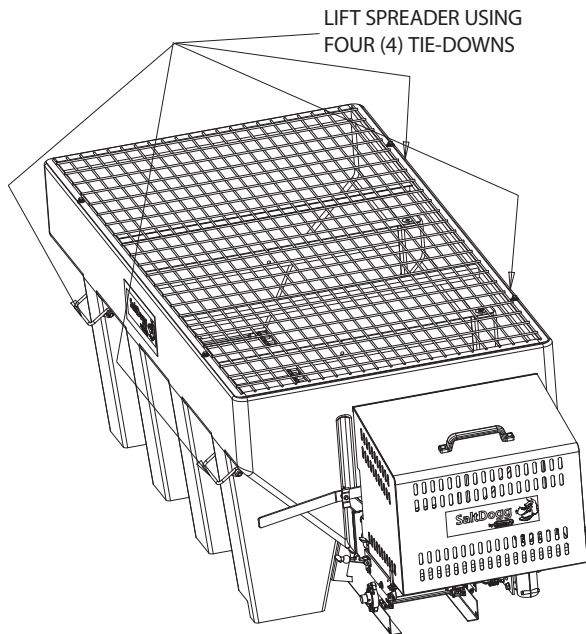
16. If the spreader must be operated with the spreader battery disconnected, insulate the positive (red) battery cable and red wire from the engine alternator with electrical tape.

Installation Instructions

1. Mounting the Spreader onto the Vehicle:

A. Remove the tailgate from the vehicle.

B. Lift the spreader using four tie-downs as shown below.

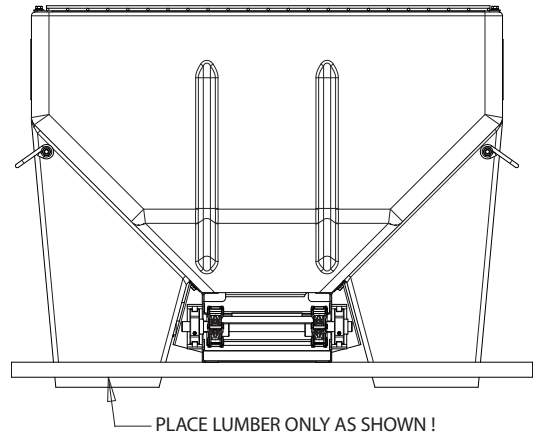


⚠ WARNING

The lifting device must be adequately rated to lift a payload equal to or greater than the spreader weight. See page 1 for spreader weights. Empty spreader before lifting.

The tie downs placed to create balance point of the spreader. Residual material, gasoline, oil, battery, top screen, or inverted vee assembly may affect this balance point.

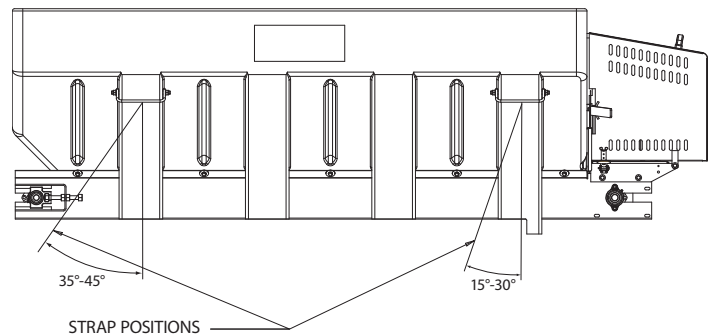
C. Elevate the spreader off the vehicle. If necessary place lumber under the hopper supports of the spreader, as shown below. Make sure lumber is placed under all hopper legs. This will help with removal of excess material that accumulates under the spreader.



D. Slide spreader into the vehicle until steps on spreader's most rear legs make contact with trucks bed. It is recommended that the Spinner/Chute Assembly be loosely attached to the hopper to avoid any interference between the vehicle and the Spinner/Chute Assembly.

E. Secure the spreader to the vehicle by attaching the four (4) tie-down located on hopper's legs of the spreader to the vehicle's factory installed anchor points using suitable tie-down devices.

- Verify with the vehicle's manufacturer that the factory installed anchor points are designed for tie-down of such load.
- Periodically check that the spreader mounting hardware is securely tightened.



2. Mounting the Spinner/Chute Assembly

A. Attach the Spinner/Chute Assembly to the spreader using the four (4) 3/8-16 X 3/4" hex head screws, flat washers, lock washers, and nuts. The flat washers are to be placed over the slots in the sills. Push the chute assembly forward towards the cab of the vehicle. Loosely attach the hardware, but do not tighten at this time.

B. Install the roller chain between the spinner/chute sprocket and the gearbox sprocket. Make sure both sprockets are in-line with one another. If the sprockets are out of alignment, adjust the height of the gearbox sprocket to correct alignment. Install the roller chain master link.

C. To adjust the roller chain tension: First pull the spinner/chute assembly away from the rear of the vehicle to take up slack in chain then tighten chute screws. The correct chain tension should allow a 5/16" deflection midway between both chain sprockets. If additional adjustment is needed, loosen the spinner shaft bearing bolts and slide the shaft away from the gearbox sprocket. Be sure to maintain the vertical alignment of the spinner shaft and bearings before tightening the hardware.

CAUTION

Do not over-tension the roller chain. This can cause damage to the chain, bearings, and gearbox.

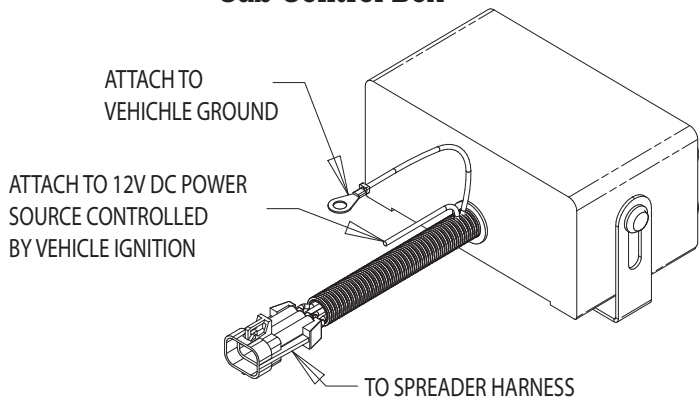
D. Install the chain guard using the three (3) 1/4-20 X 3/4" hex head bolts, lock washers, and nuts.

E. Tighten all hardware to the recommended torque specifications as shown in this manual.

3. Control Box and Vehicle Wiring Harness Installation.

Note: The following instructions show how to install the spreader so that the engine will draw power, to start the engine, from a dedicated battery located on the spreader.

Cab Control Box



A. Layout a wiring path for the vehicle wiring harness.

WARNING

Do not drill holes into fuel tanks, fuel lines, through electrical wiring, etc that may be damaged by drilling.

B. Mount the control box in a convenient location in the truck cab.

WARNING

Do not install control box in the vehicle's airbag deployment area. Refer to the vehicle's manual for airbag deployment area.

C. Connect the green wire from the vehicle wiring harness to a known good vehicle ground.

D. Connect the stripped end of the red wire to an accessory wire/terminal that is controlled by the vehicle's ignition switch.

4. Spreader Wiring Installation

A. Attach the terminal end of the black (negative) battery cable to the negative terminal (marked "-") on the battery.

B. Then connect the terminal end of the red (positive) battery cable to the positive terminal (marked "+") on the battery.

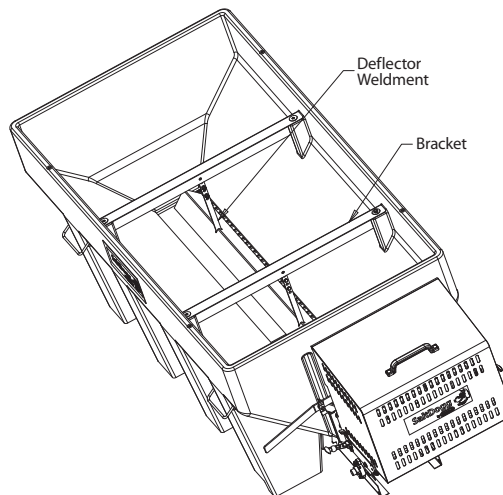
C. Using cable straps and 1/4" x 3/4" sheet metal screws, secure the spreader wiring harness to the spreader.

D. Verify that the Ignition Switch in Control Box is in the "OFF" position prior to completing step E.

E. Connect the spreader and vehicle wiring harnesses.

5. Installing the Inverted Vee Assembly (Optional Equipment)

The front and rear hopper brackets have two (2) holes in each to support the inverted vee deflector weldment. Secure the deflector with four (4) 3/8-16 X 1" hex head cap screws, lock washers, and nuts.



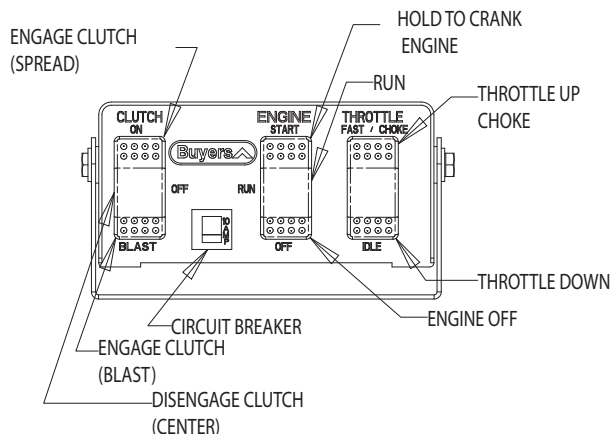
A. Adjust the height of the inverted vee for the material being spread:

- For salt and dry sand, adjust the Deflector Weldment as close to the bottom of the hopper as possible.
- For salt/sand mix, adjust the Deflector Weldment to the middle of the mounting holes.
- For wet sand, adjust the Deflector Weldment to the highest position.
- Tighten all hardware according to the recommended torque chart.

Spreader Operation

Note: Before starting the engine, follow all safety precautions on pages 2 and 3.

1. Cab Control Box Functions:



A. The clutch switch is a three position switch with the following functions:

“OFF” position: While in this position, with the engine running, the spreader feed chain and the spinner disk will not spin. Therefore, the spreader will not spread ice control material.

“ON” position: While in this position, the spreader feed chain and the spinner disk will spin with the engine running.

“BLAST” position: While in this position, with the engine running, the spreader feed chain and the spinner disk will spin. In this position switch can only be activated when held into the “BLAST” position.

B. The ignition switch is a three position switch with the following functions:

“OFF” position: While in this position, 12V DC power is shut off to the spreader. To turn off the spreader, flip the switch to this position.

“ON” position: While in this position, 12V DC power is turned on to the spreader.

“START” position: While holding in this position, the spreader’s engine starter is activated.

C. The throttle switch is a two position switch with the following functions:

“CHOKE/FAST” position: While in this position, the engine speed will increase until the engine linkage reaches its choke position.

“IDLE” position: While in this position, the engine speed will decrease.

2. Starting the Engine

A. Verify that the clutch switch and ignition switch on the cab control box are in the “OFF” position.

B. Turn the vehicle’s ignition to the “ON” position.

C. Press the spreader’s ignition switch to the “ON” position.

D. Press the throttle switch on the cab control box to the “Idle” position and hold for approximately two seconds.

E. Hold the ignition switch in the “START” position.

F. While the engine is cranking, press and hold the throttle switch to the “CHOKE/FAST” position.

G. Release the ignition and throttle switches when the engine starts.

H. After the engine starts, hold the throttle switch to the “IDLE” position to release the choke (hold switch for 1/2-1 seconds).

3. Stopping the Engine

A. Reduce engine RPM by holding throttle switch to the “IDLE” position for 2-3 sec. To stop the engine, press the ignition switch to the “OFF” position.

4. Clutch Operation

A. Start the engine and adjust the speed to slightly above idle.

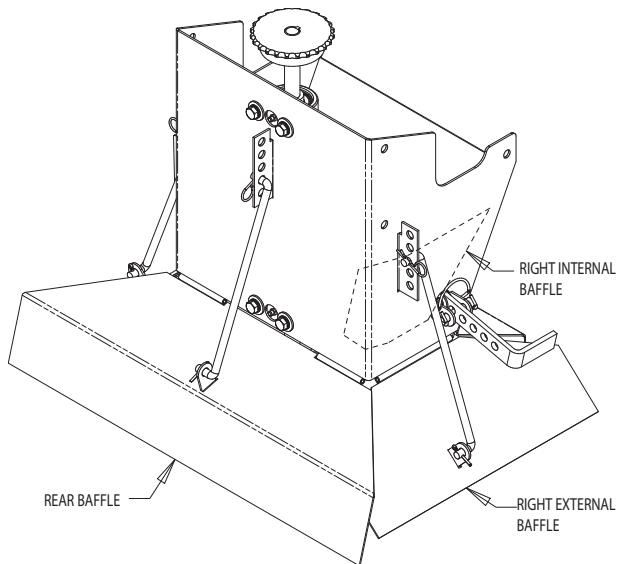
B. Push the clutch switch into the “ON” position.

C. Increase the engine RPM by pressing the throttle switch to the “CHOKE/FAST” position.

D. It is recommended that the clutch only be engaged at the lowest possible speed without stopping the engine. This practice will prevent premature spinner chain failure and chain tension loss.

E. Do not repeatedly use the “Blast” function for the clutch. This practice will prevent premature clutch and flex coupler failure and breakage.

5. Spinner/Chute Assembly Operation



A. The spread pattern and the amount of material dispensed is dependant on the following factors:

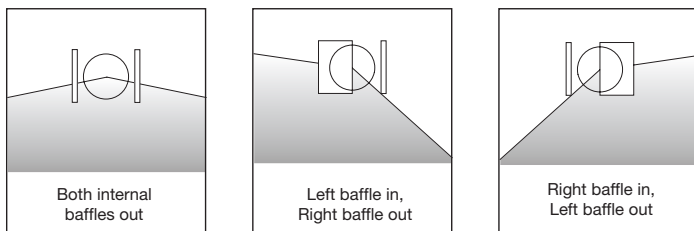
1. Engine RPM.
2. Feed gate position.
3. Baffle settings.

B. Keep the following rules in mind:

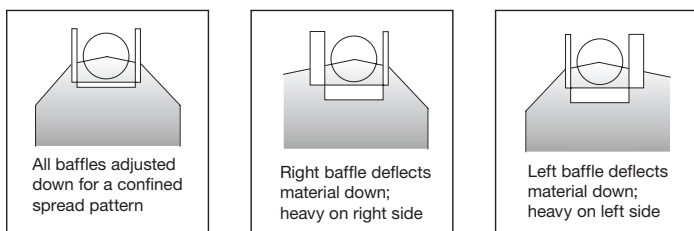
- Decreasing engine RPM will decrease the amount of material coming to the spinner.
- Increasing engine RPM will increase the amount of material coming to the spinner.
- Size of the feed gate opening will increase or decrease the amount of material coming to the spinner.

Below are illustrations that show the baffles effect on the spread pattern as viewed from the top of the spinner disk.

Internal Baffle Adjustment



External Baffle Adjustment



6. Precautions

CAUTION

Always follow the following precautions so as not to cause damage to the spreader.

- A.** If the feed chain does not move because of dense material or a material jam, remove all material from the hopper and free the chain.
- B.** If the material in the hopper freezes, move the spreader into a warm area to thaw.
- C.** To prevent the feed chain from freezing, do not store material in the spreader.
- D.** The gearbox is designed to only accept torque from the input shaft. Therefore, **DO NOT ATTEMPT TO FREE THE FEED CHAIN BY USING A PIPE OR SIMILAR TOOL TO MOVE OR DISLodge THE CHAIN.** If the feed chain is moved, the gears within the gearbox will strip. This action will void all warranties.
- E.** Check and maintain the correct oil level for both the engine crankcase and the gearbox. The engine crankcase is filled with 1 quart of SAE 5W-30 motor oil at the factory. The gearbox is filled with SAE 90 gear lubricant at the factory.

CAUTION

The engine crankcase and gearbox must be filled and maintained with oil. The engine crankcase oil must be of the correct viscosity for the intended spreader operating conditions. Refer to the engine's owner manual to determine the correct viscosity. Operating the engine or gearbox without oil (or without a sufficient amount of oil) can cause permanent damage to the engine or crankcase.

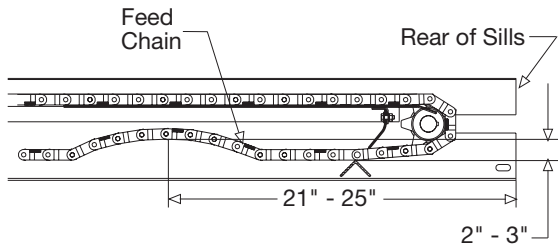
Spreader Maintenance

1. Use dielectric grease on all electrical connections before an electrical connection is made or after a connector is disconnected.
2. Grease the following:
 - Idler shaft bearings (2)
 - Drive shaft bearings (2)
 - Spinner shaft bearings (2)
 - Flanged bearing located between gearbox and clutch.
 - Gearbox input shaft (if equipped with fitting)
3. Check gearbox oil level periodically and maintain the oil level by adding appropriate lubricant.

4. Fill the engine crankcase with recommended oil to the full line. Read the engine owner's manual for the recommended oil viscosity for your operating conditions. Check the oil level periodically and maintain the oil level. Clean and lubricate engine's choke throttle linkage.

5. Check the Feed Chain tension periodically.

A. To check the tension, measure in 21"-25" from the rear edge of the sills. Push up on the chain with your hand. The conveyor chain should lift up 2"-3" off the conveyor chain guide or cross angles.




6. Maintain the correct tension on the following roller chains:

- A.** Engine to Gearbox Input Sprocket.
- B.** Spinner Shaft to Gearbox Input Sprocket.

The correct chain tension allows 5/16" deflection midway between respective sprockets. Oil both roller chains often, and at the end of each season.

To loosen or tighten Chain A: loosen the four (4) 3/8-16 X 1 carriage bolts that fasten the engine mount stand to the engine deck and slide the engine mount stand.

To loosen or tighten Chain B: First, loosen the spinner chute fasteners and slide the spinner/chute assembly. If additional adjustment is needed, loosen the spinner shaft bearing bolts and slide the spinner shaft. Be sure to maintain the vertical alignment of the spinner shaft and bearings before tightening the hardware.



CAUTION

Do not over-tension either roller chain. Over-tensioning can cause damage to bearings, roller chain, sprockets, or the engine.

7. Empty the spreader of all ice control material when not in use to prevent a frozen feed chain.

8. Wash out the spreader when it is not in use. At the end of the season wash out the spreader to remove all ice control materials. Thoroughly dry all metal surfaces. Paint and oil all bare metal surfaces and chains to protect from rust. Properly store the spreader for the next season.

9. To minimize problems and extend the life of the electric clutch, the following procedures are recommended:


- A.** At the end of the season, remove and clean the clutch.
- B.** After cleaning, coat both mating surfaces of the clutch with oil or light grease.
- C.** Remove oil and grease prior to using the clutch again.

10. Engine Repair

A. Maintain the spreader engine according to the engine owner's manual. This manual is shipped with the spreader. The engine warranty is covered by the engine's manufacturer. If engine service is required, contact an authorized service center for the engine's manufacturer.

Throttle Motor Assembly Instructions

(diagram on pg. 8)



CAUTION

Improper installation of the throttle motor assembly can result in damage to the engine choke/throttle linkage.

Removal Instructions:

- 1.** Carefully observe the existing installation and mark the position of the throttle control bracket on the engine mount stand.
- 2.** Disconnect the wire connections.
- 3.** Remove the 1/4-20 fasteners that hold the throttle control bracket to the engine mount stand. Remove the throttle motor assembly.

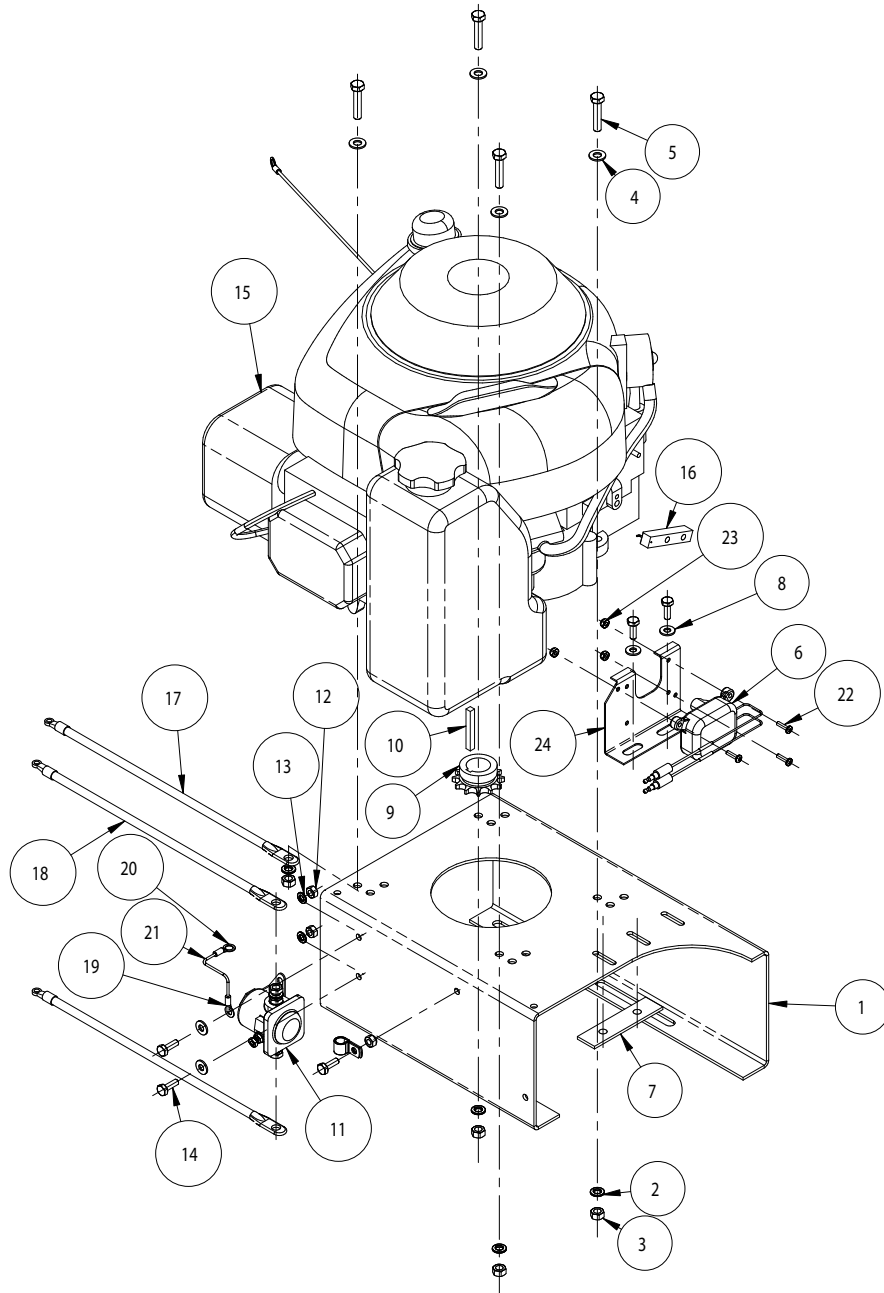
Installation Instructions:

- 1.** Connect the electrical wiring. Only connect the brown wire to brown wire and red wire to red wire.
- 2.** Run the new throttle motor until the crank is within opening of the throttle control bracket.
- 3.** Fasten the new throttle motor to the throttle control bracket using the existing hardware.
- 4.** Place the throttle pin assembly on the crank of the throttle motor using hole in the middle of plastic block.
- 5.** Place the assembly onto the engine mount stand by inserting the throttle pin into the engine choke/throttle linkage slider.
- 6.** Keeping the throttle pin assembly parallel to the engine choke/throttle linkage bolt the assembly to the engine mount stand with the existing hardware.
- 7.** Run throttle motor in both directions until the slider in choke/throttle linkage stops against choke/throttle linkage bracket. Adjust position of throttle bracket if necessary.

Repair Parts - Engine Subassembly

ITEM	PART NO.	QTY.	DESCRIPTION
1	3006853	1	Stand, Engine Mount
2	-	4	Washer, Lock 5/16"
3	-	4	Nut, Hex 5/16"
4	-	4	Washer, Flat 5/16"
5	-	4	Screw, 5/16-18 x 1.5 Gr 5
6	1410709	1	Throttle Motor Assembly
7	1411911	1	Retainer, Throttle Motor Bracket
8	-	4	Washer, Flat 1/4 SAE
9	1411915	1	Sprocket, Engine Drive
10	KS402	1	Key, 1/4" x 2"
11	1306070	1	Solenoid
12	-	3	Nut, Hex 1/4-20
13	-	3	Washer, Lock 1/4"

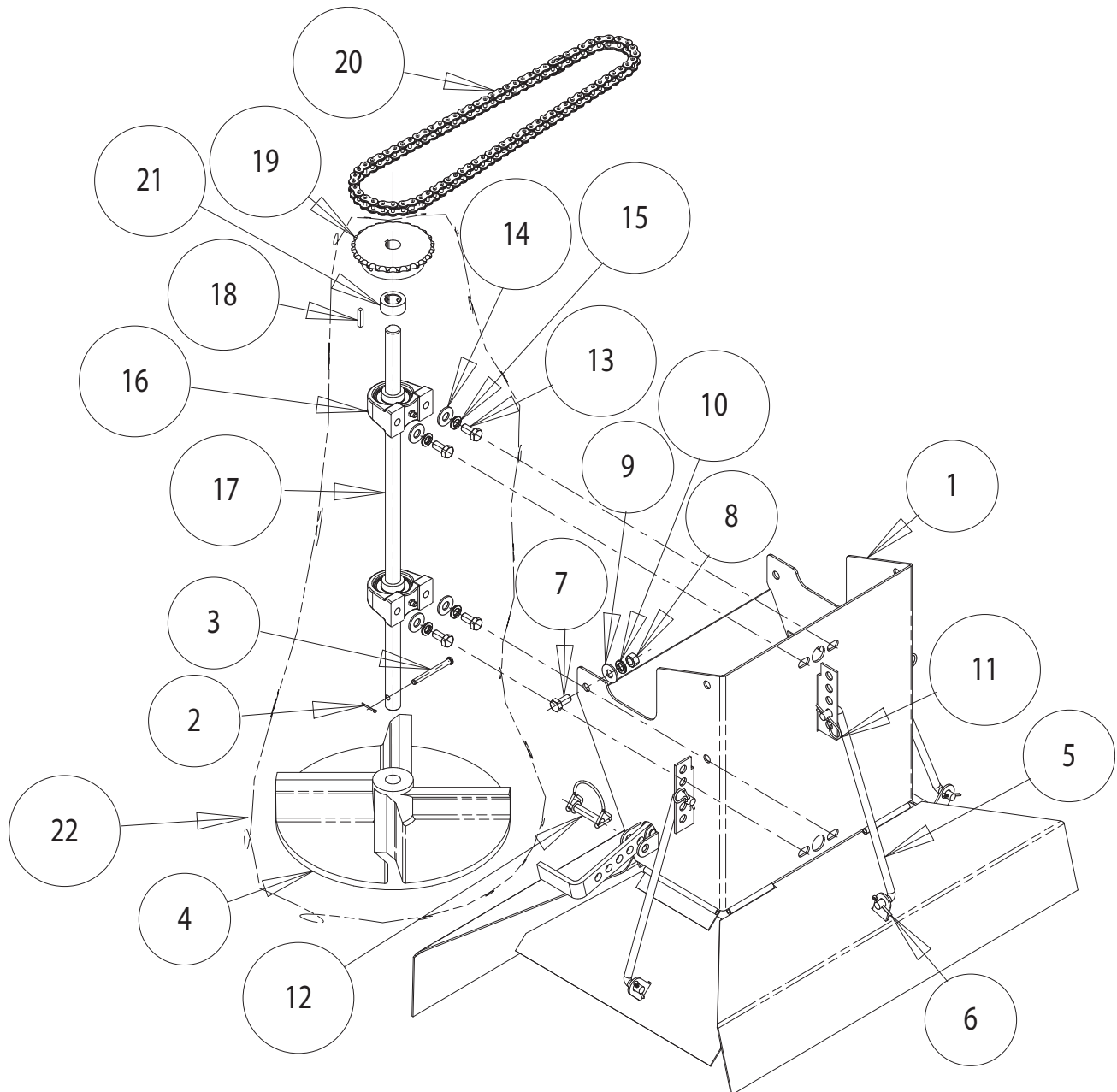
ITEM	PART NO.	QTY.	DESCRIPTION
14	-	5	Screw, 1/4-20 x 3/4" Gr 5
15	3006887	1	Engine, Gas, 10 1/2 HP Briggs & Stratton
16	1411910	1	Throttle Pin Assembly
17	3001378	1	Cable, Battery 14" (Black)
18	3001379	2	Cable, Battery 14" (Red)
19	-	1	Terminal, 1/4" Ring
20	-	1	Terminal, 5/16" Ring
21	-	-	Red Wire, 16 GA
22	-	3	Screw, #8-32 x 5/8" Machine. Pan HD
23	-	3	Nut, #8-32 Nylock
24	3003228	1	Bracket, Throttle Control, Briggs & Stratton



Repair Parts - Spinner/Chute Assembly

ITEM	PART NO.	QTY.	DESCRIPTION
1	3002114	1	CHUTE HOUSING SUBASSEMBLY STD SST
1	3002120	1	CHUTE HOUSING SUBASSEMBLY EXT SST
2	FPC007800075	1	COTTER PIN, 5/64 X 3/4
3	1420014	1	CLEVIS SHEAR PIN, 1/4 X 2-1/2
4	3004611	1	SPINNER DISC 11.5 DIA. POLY
5	1420015	3	CONTROL ROD
6	FPC013000100	1	COTTER PIN, 1/8 X 1
7		4	H. HEAD CAP SCREW 3/8-16 X 3/4 GR5
8		4	HEX NUT 3/8-16
9		4	3/8 FLATWASHER
10		4	3/8 LOCKWASHER
11	1420016	3	HAIRPIN COTTER, 3/32 X 2
12	1420018	2	LYNCH PIN, 3/8 X 1-3/4
13		4	H. HEAD CAP SCREW, 3/8-16 X 3/4, GR5
14		4	3/8 FLATWASHER

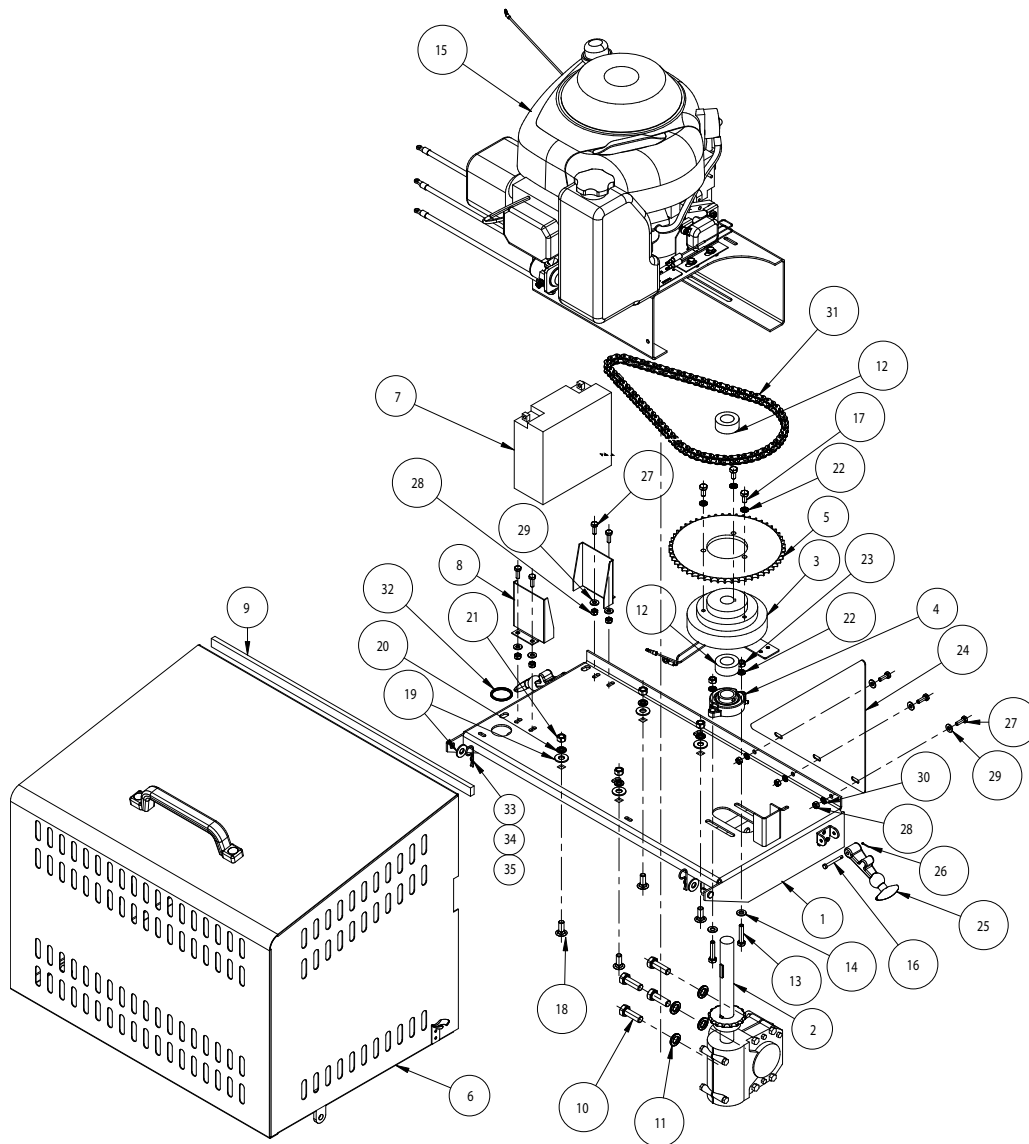
ITEM	PART NO.	QTY.	DESCRIPTION
15		4	3/8 LOCKWASHER
16	1420101	2	PILLOW BLOCK BEARING, 3/4"
17	1420150	1	SPINNER SHAFT-STD
17	142X150	1	SPINNER SHAFT-EXT
18	KS301	1	KEY, 3/16" SQUARE X 1"
19	1420004	1	SPROCKET, 24 TOOTH W/ SET SCREW
20	1410711	1	ROLLER CHAIN, #40, W/ 80 LINKS
21	3002225	1	COLLAR, .75 DIA LOCK WITH TWO SET SCREWS, 3/16 KEYWAY
22	141055K	1	KIT, STD LG, SHAFT, BEARING, SPROCKET, SPINNER DISK, & HDW
22	141065K	1	KIT EXT LG, SHAFT, BEARING, SPROCKET, SPINNER DISK, & HDW



Repair Parts - Drive Subassembly

ITEM	PART NO.	QTY.	DESCRIPTION
1	3006861	1	Engine Deck Weldment SST
2	1410720	1	Gearbox Assembly
-	1410702	1	Sprocket, 16 Tooth
3	1401150	1	Clutch Assembly
4	1411000	1	Bearing, 2-Hole Flanged, 1" ID
5	1411800	1	Sprocket, Clutch 52 Tooth
6	3006856	1	Engine Shroud Weldment SST
7	1410717	1	Battery, 12 VDC
8	3001363	2	Bracket, Battery Mount
9	1410216	-	Sponge, Rubber
10	-	4	Screw, 1/2-13 x 1 Gr 5
11	-	4	Washer, Lock 1/2"
12	1411500	2	Collar, 1" ID
13	-	2	Screw, 5/16-18 x 1-1/2 Gr 5
14	-	2	Washer, Flat 5/16 SAE
15	3006917	1	Engine, Assembly 10½ HP Briggs & Stratton
16	3002390	2	Pin, Pivot 3/16 x 1-5/8"
17	-	3	Screw, 5/16 - 18 x 5/8"

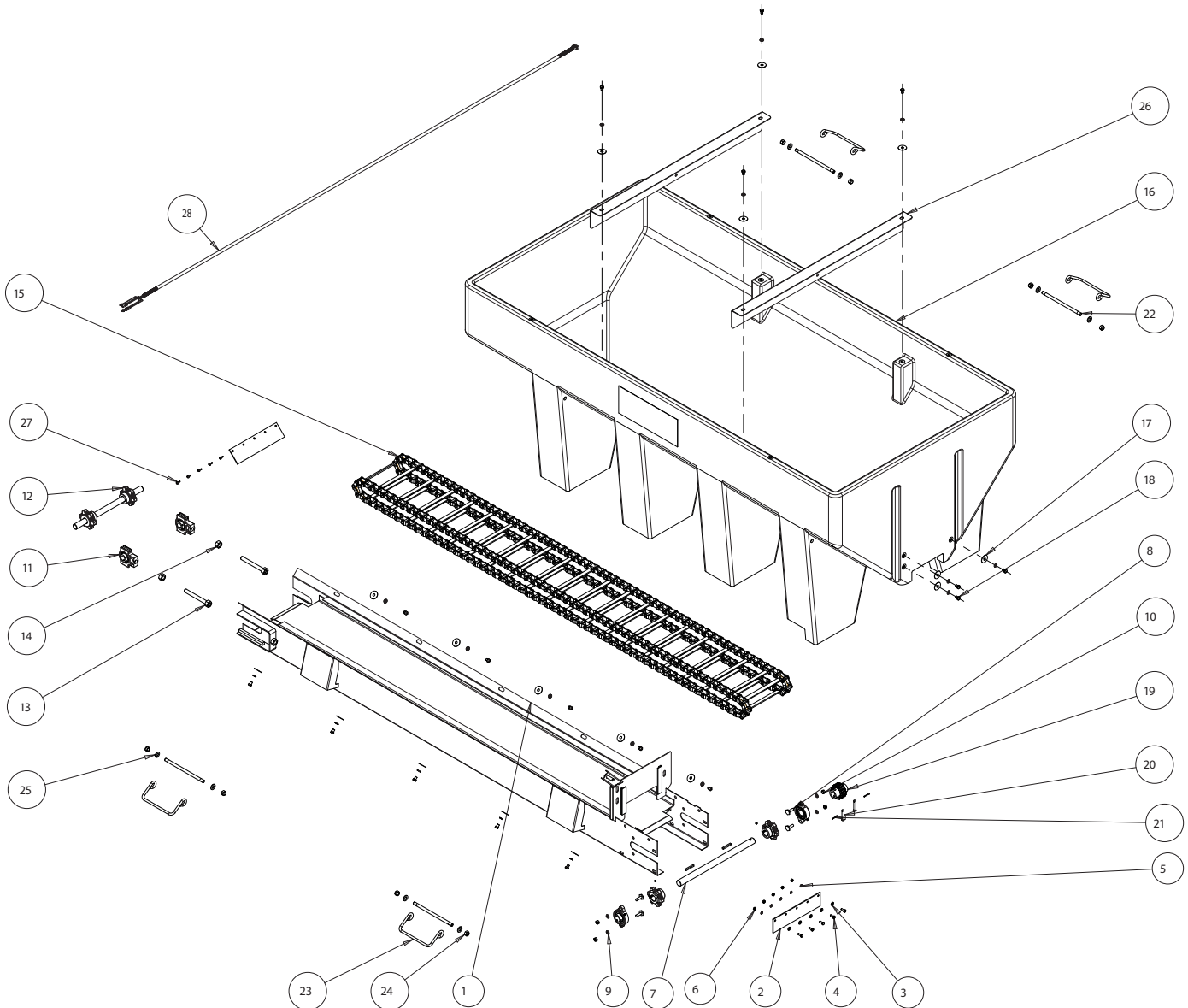
ITEM	PART NO.	QTY.	DESCRIPTION
18	-	4	Bolt, Carriage 3/8-16 x 1"
19	-	6	Washer, Flat 3/8 USS
20	-	4	Washer, Lock 3/8"
21	-	4	Nut, Hex 3/8-16
22	-	5	Washer, Lock 5/16"
23	-	3	Nut, Hex 5/16-18
24	3002113	1	Guard, Engine Base SST
25	3000281	2	Strap, Rubber Latch SST Spreaders
26	3002392	2	Cotter Pin 1/16 dia. x 1/2" SST
27	-	7	Screw, 1/4-20 x 3/4 Gr 5
28	-	7	Nut, Hex 1/4-20
29	-	7	Washer, Flat 1/4" SAE
30	-	7	Washer, Lock 1/4"
31	1412300	1	Chain, #40 Roller, 78 Pitches
32	1413200	1	Grommet, 1-1/2' Rubber
33	-	2	Nut, Hex Nylon 3/8-16
34	-	2	Screw, HHC 3/8-16 x 1-1/4
35	-	2	Washer, Flat 3/8" I.D. Nylon



Repair Parts - Drive Subassembly

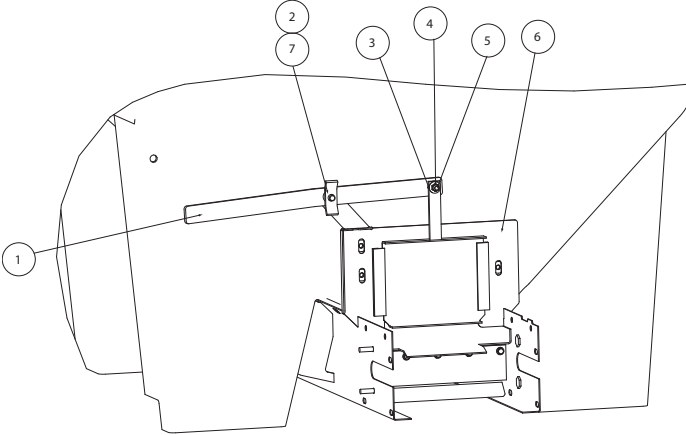
ITEM	PART NO.	QTY.	DESCRIPTION
1	3007443	1	TROUGH WELDMENT, SST
2	1410241	2	WIPER BELT, HOPPER
3	-	5	WASHER, FLAT 1/4 SAE SST
4	-	5	SCREW, CAP 1/4-20 X 3/4 SST
5	-	5	WASHER, 1/4 IN. SPRING LOCK SST
6	-	5	NUT, HEX 1/4-20 SST
7	3001196	1	SHAFT, ASSY SCH DRIVE
8	-	4	BOLT, 3/8 X 1-1/4, LOWHEAD
9	-	21	WASHER, LOCK RHS-3/8 SST
10	-	4	NUT, 3/8-16 HEX SST
11	1411001	2	BEARING, IDLER TAKE UP
12	3007461	1	SHAFT IDLER, WELDMENT
13	-	2	BOLT, WELDED TAKE UP, SCH IDLER
14	-	2	NUT, 5/8-11 UNC THD, SST
15	1401100P	1	CHAIN ASSY. D662 122 LINKS

ITEM	PART NO.	QTY.	DESCRIPTION
16	3007561	1	HOPPER POLY 1.85 CU YA COMPLETE
17	-	17	WASHER, FLAT 3/8 X1.5 X.048 SST
18	-	17	SCREW, HHC - 3/8-16 X 1/2 SST
19	3003485	1	COUPLING, DRIVE SHAFT / GEARBOX
20	1410803	2	PIN, CLEVIS, 3/8 X 2, 1038 ST, YZN
21	FPC013000100	2	COTTER PIN, 1/8 X 1, ZINC
22	3006974	4	STUD, 1/2-13 x 75 BOTH ENDS, 9.75" LG, ZC
23	3006958	4	TIE DOWN
24	-	8	NUT, NYLOCK 1/2 - 13 ZINC
25	-	8	WASHER, FLAT 1/2" SAE ZINC
26	3007700	2	BRACKET, INVERTED VEE
27	-	5	SCREW, SHEET MTL #12 x 3/4 HEX WASHER HD SST
28	1410708	1	WIRE HARNESS for HOPPER SPREADER



Repair Parts - Feed Gate Assembly

ITEM	PART NO.	QTY.	DESCRIPTION
1	1410108SS	1	FEED GATE LEVER, SST
2	1410109SS	1	LEVER NUT, SST
3		1	BOLT CARRIAGE 3/8-16 X 1-1/4" SST
4		2	3/8 FLAT WASHER SST
5		1	3/8-16 HEX LOCKNUT SST
6	141010WSS	1	FEED GATE PANEL WELDMENT, SST
7		1	WASHER, LOCK 1/2"



Hopper Spreader Repair Parts

ITEM	PART NO.	DESCRIPTION	WEIGHT
1	1499500SS	Inverted Vee, Stainless Steel	15 lbs.
2	3008186	Heavy-Duty Top Screen	79 lbs.

